

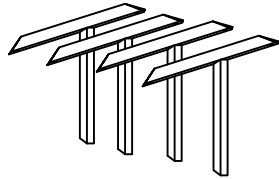


Product Assembly Instructions
LCVEDIWHTOP/LCVEDIWABASE

PART LIST



A : MARBLE TOP x1



B : TABLE LEG x4

HARDWARE LIST



C : JCBC SCREW M6 x 50MM(BLK) x4



D : JCBC SCREW M6 x 40MM x4



E : SPRING WASHER 1/4" x4



F : SPRING WASHER 1/4"(BLK) x4

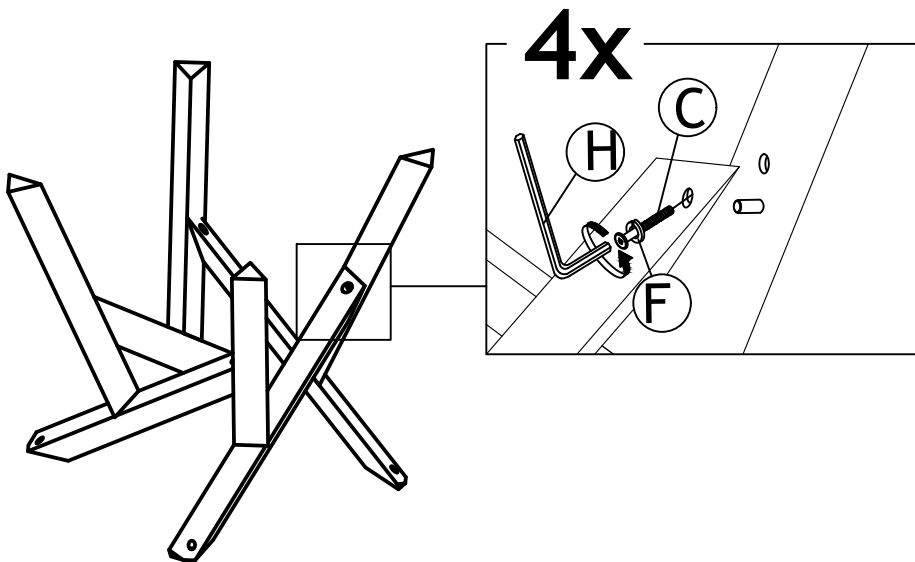


G : ADJUSTABLE SCREW x4

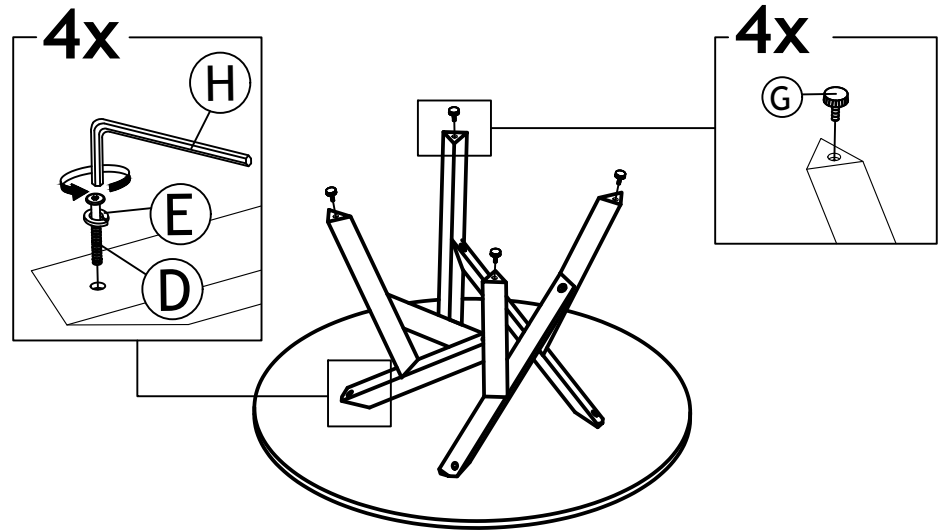


H : M4 ALLEN KEY (BALL SHAPE)LONG x1

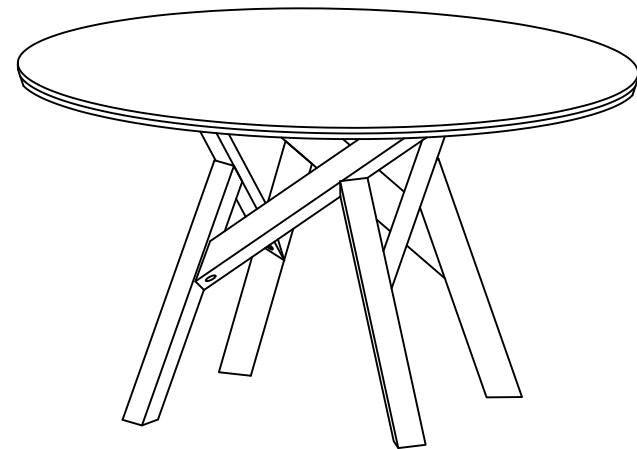
STEP 1



STEP 2



STEP 3



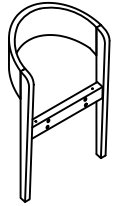
ASSEMBLY COMPLETED



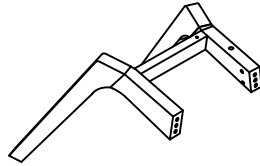
Product Assembly Instructions

LCJASIBRWA/LCJASIBRBL

PART LIST



A : BACK REST VENEER x1



B : BACK LEG (SET) x1

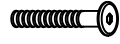


C : CUSHION SEAT X1

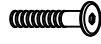
HARDWARE LIST



D : JCBC SCREW M6 x 80MM (BLK) x4



E : JCBC SCREW M6 x 70MM x2



F : JCBC SCREW M6 x 60MM x2



G : SPRING WASHER 1/4" (BLK) x4



H : SPRING WASHER 1/4" x4



I : BARREL NUT M6 x 13MM x4

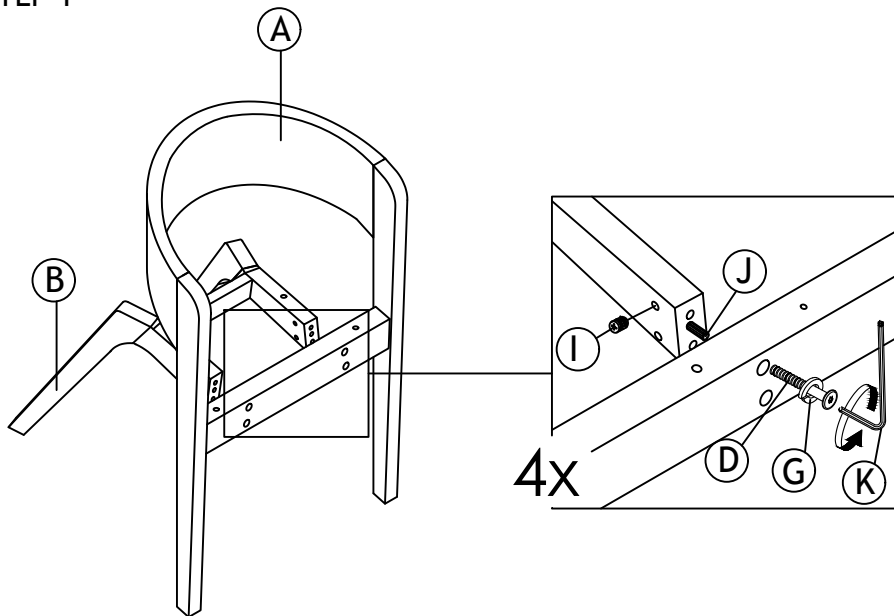


J : WOOD DOWEL DIA 8 x 35MM x2

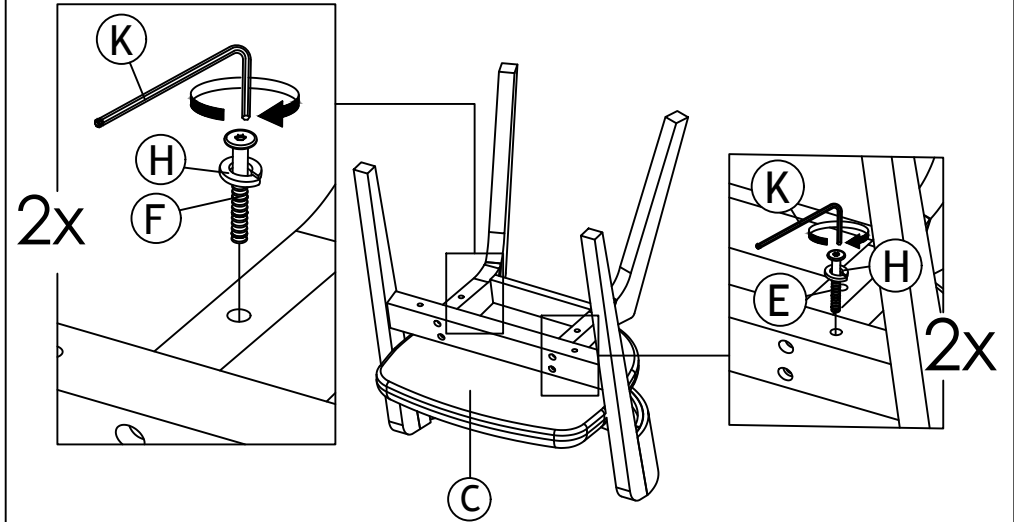


K : ALLEN KEY M4 (BALL SHAPE) x1

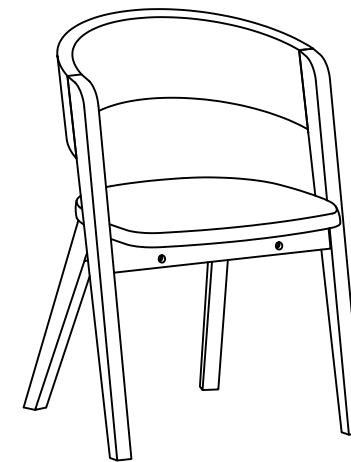
STEP 1



STEP 2



STEP 3



ASSEMBLY COMPLETED