

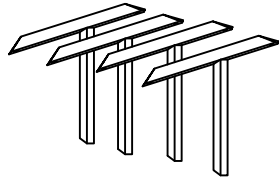


Product Assembly Instructions LCVEDIWHTOP/LCVEDIWABASE

PART LIST



A : MARBLE TOP x1



B : TABLE LEG x4

HARDWARE LIST



C : JCBC SCREW M6 x 50MM(BLK) x4



D : JCBC SCREW M6 x 40MM x4



E : SPRING WASHER 1/4" x4



F : SPRING WASHER 1/4"(BLK) x4

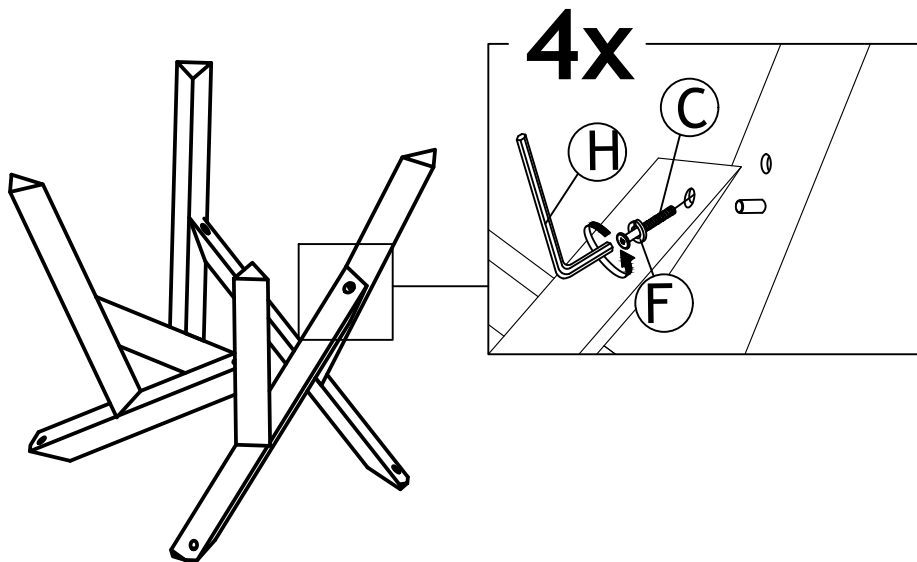


G : ADJUSTABLE SCREW x4

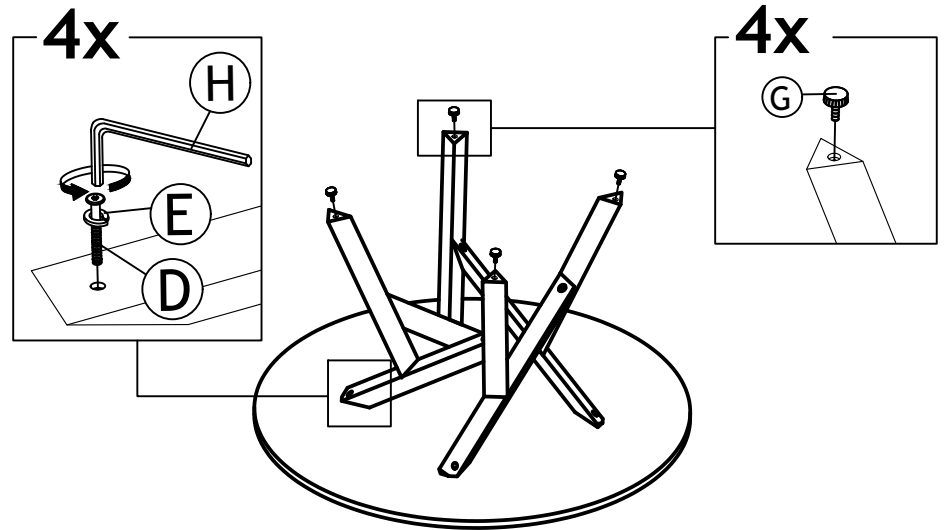


H : M4 ALLEN KEY (BALL SHAPE) LONG x1

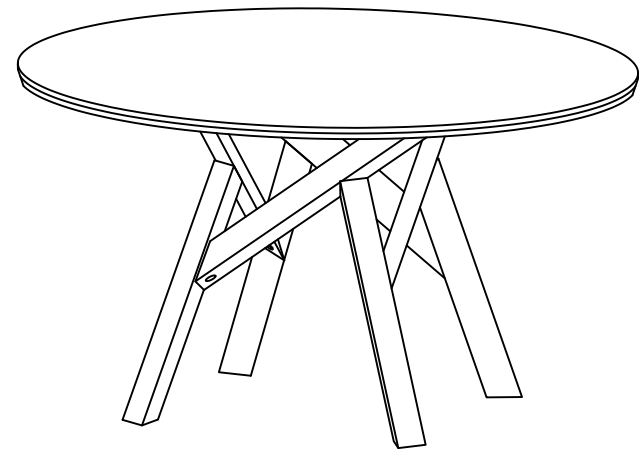
STEP 1



STEP 2



STEP 3



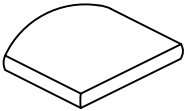
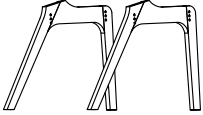

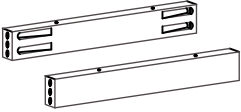
ASSEMBLY COMPLETED







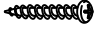

Product Assembly Instructions

LCPLSIGRWA/LCPLSIGRBL

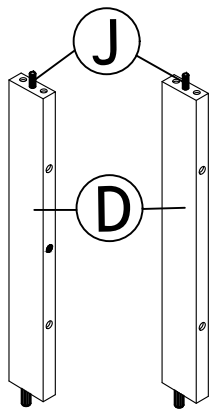
PART LIST

 <p>A : CUSHION SEAT x1</p>	 <p>B : LEGS (R & L) x2</p>	 <p>C : BACK REST VENEER X1</p>
 <p>D : APRON (FRONT & BACK) x2</p>		

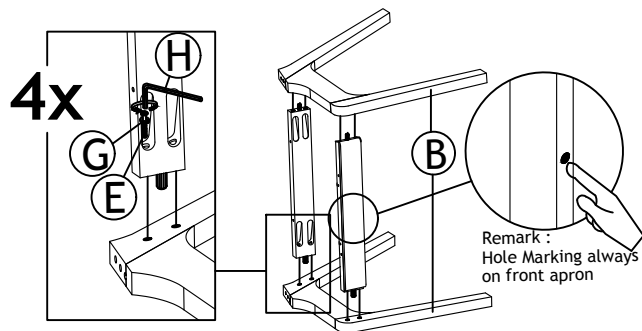
HARDWARE LIST

 <p>E : JCBC SCREW M6 x 50MM x8</p>	 <p>F : JCBC SCREW M6 x 100MM x4</p>	 <p>G : SPRING WASHER 1/4" x12</p>
 <p>H : ALLEN KEY M4 (BALL SHAPE) x1</p>	 <p>I : PAN HEAD WOOD SCREW M5 X 32MM x4</p>	 <p>J : WOOD DOWEL DIA 8 x 35MM x6</p>

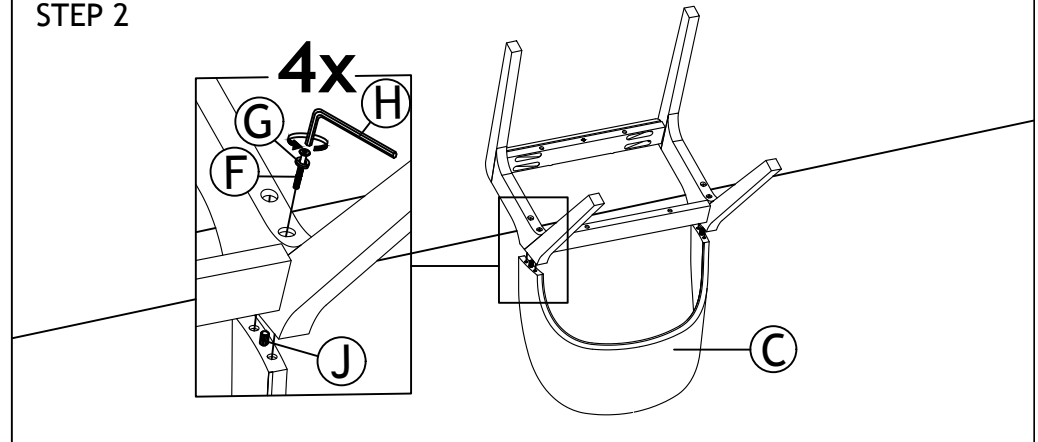
STEP 1



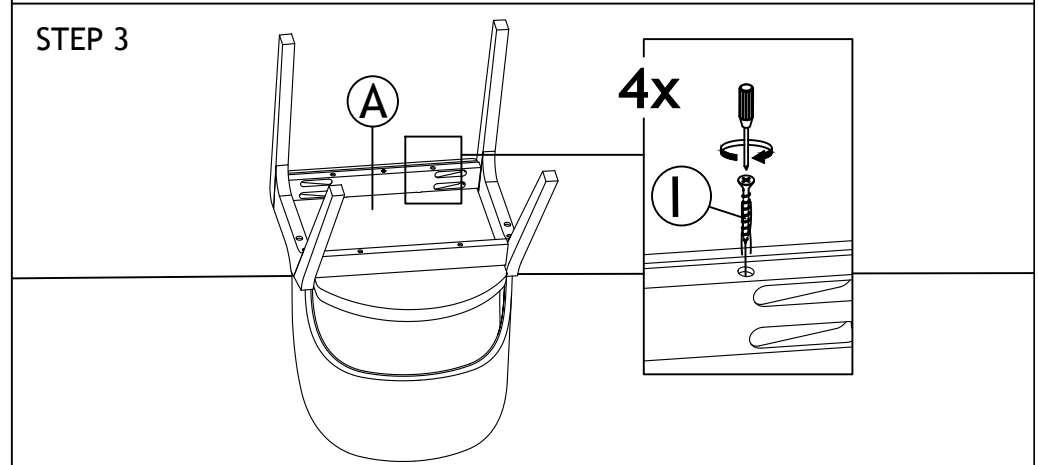
STEP 1.1



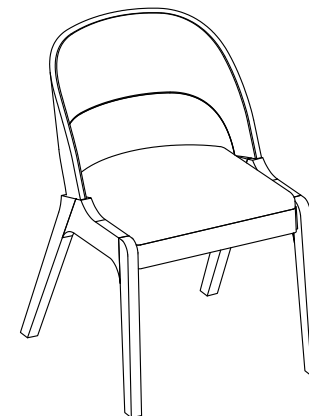
STEP 2



STEP 3



STEP 4



ASSEMBLY COMPLETED