

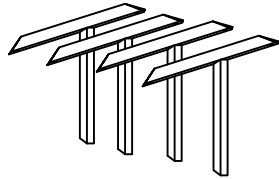


# Product Assembly Instructions LCVEDIWHTOP/LCVEDIWABASE

## PART LIST



A : MARBLE TOP x1



B : TABLE LEG x4

## HARDWARE LIST



C : JCBC SCREW M6 x 50MM(BLK) x4



D : JCBC SCREW M6 x 40MM x4



E : SPRING WASHER 1/4" x4



F : SPRING WASHER 1/4"(BLK) x4

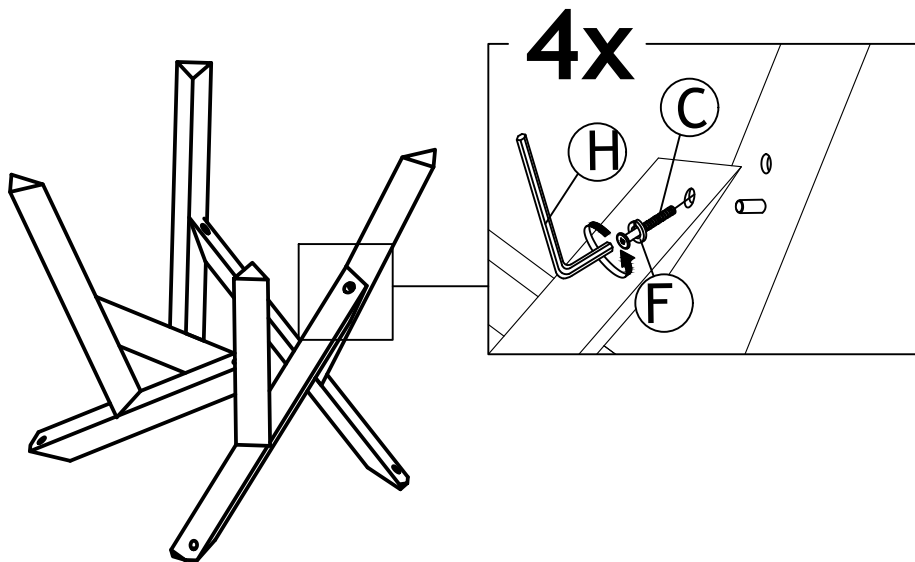


G : ADJUSTABLE SCREW x4

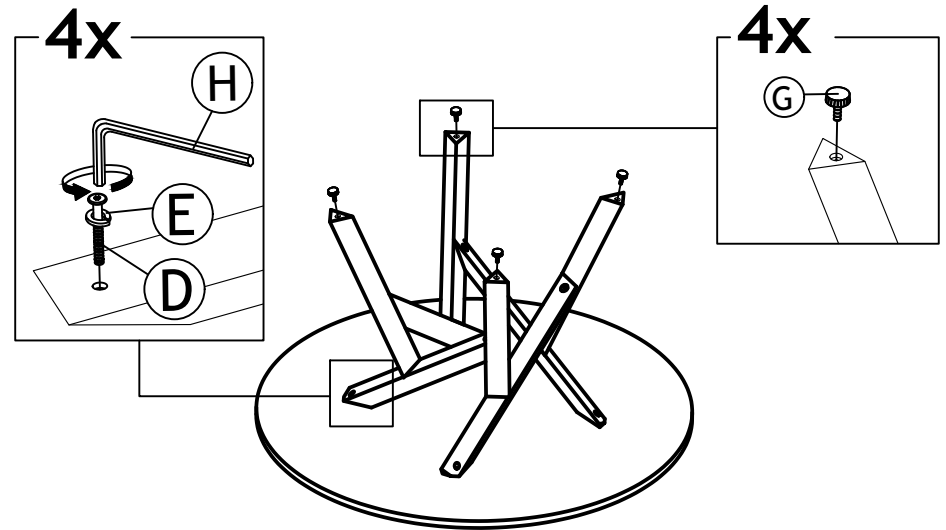


H : M4 ALLEN KEY (BALL SHAPE) LONG x1

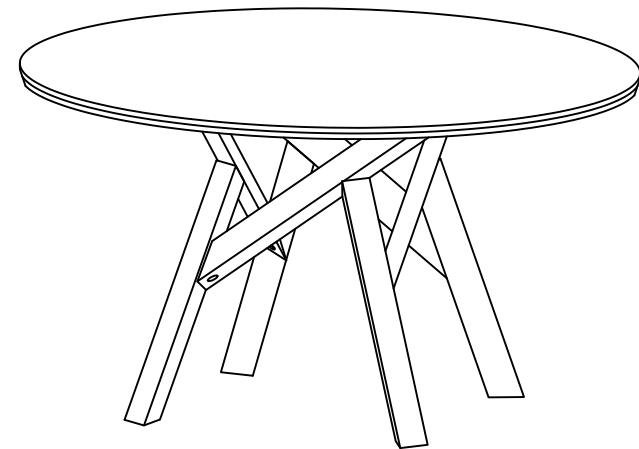
## STEP 1



## STEP 2



## STEP 3



ASSEMBLY COMPLETED



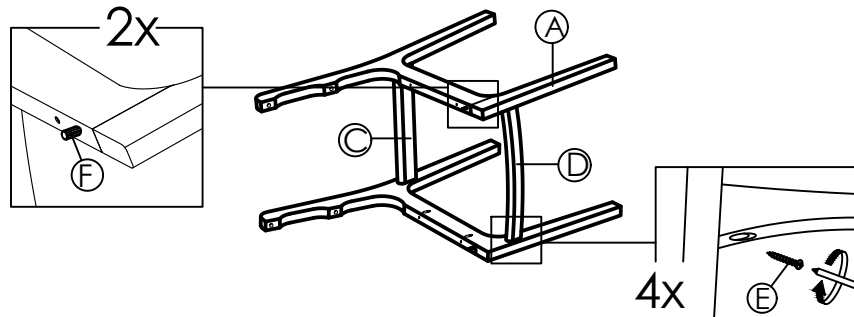
# Product Assembly Instructions

## LCLMSIGRWA/LCLMSIGRBL

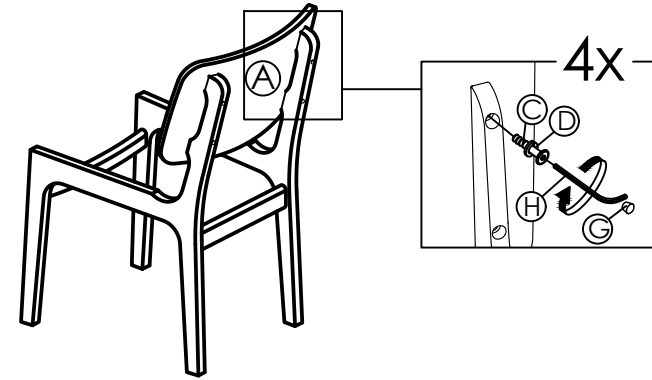
### PART LIST

<p>A : SIDE LEGS ( L &amp; R ) x2</p>	<p>B : CUSHION SEATS x1</p>	<p>C : BACK VENEERS x1</p>
<p>D : FRONT RAILS x1</p>	<p>E : BACK RAILS x1</p>	
<b>HARDWARE LIST</b>		
<p>C : JCBC SCREW M6 x 40MM x4</p>	<p>D : SPRING WASHER 1/4" x4</p>	<p>E : PAN HEAD WOOD SCREW M5 X 32MM x8</p>
<p>F : WOOD DOWEL DIA 8 x 25MM x2</p>	<p>G : WOOD BUTTON ( DIA:14.5 ) x4</p>	<p>H : M4 ALLEN KEY (BALL SHAPE) LONG x1</p>

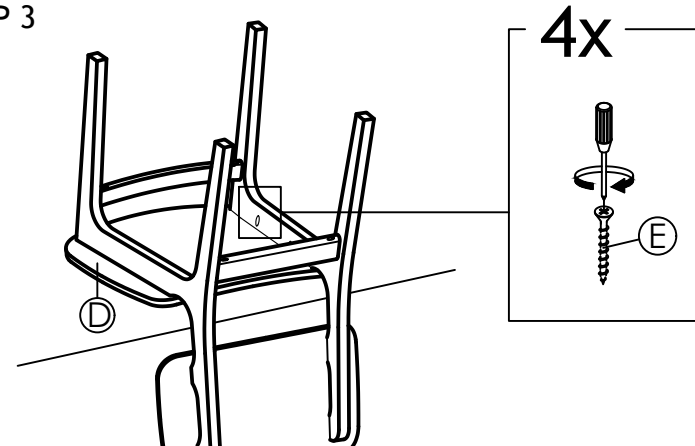
### STEP 1



### STEP 2



### STEP 3



### STEP 4

