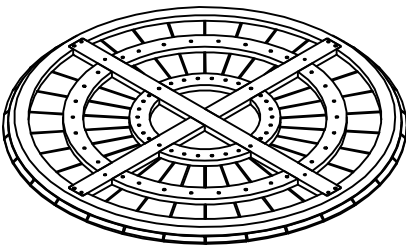
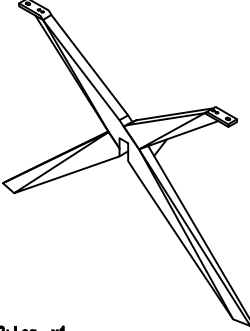
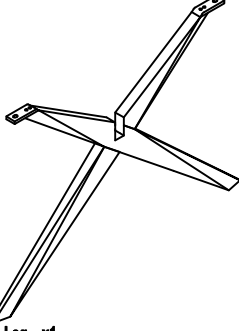


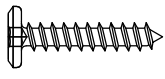


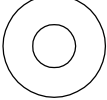



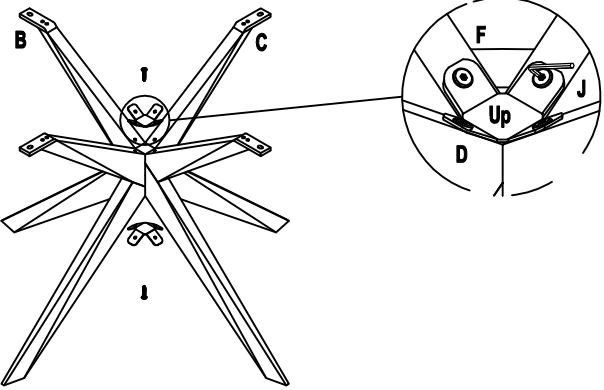
OASIS DINING TABLE ROUND

LCOADIWDLT/LCOADIWDDK

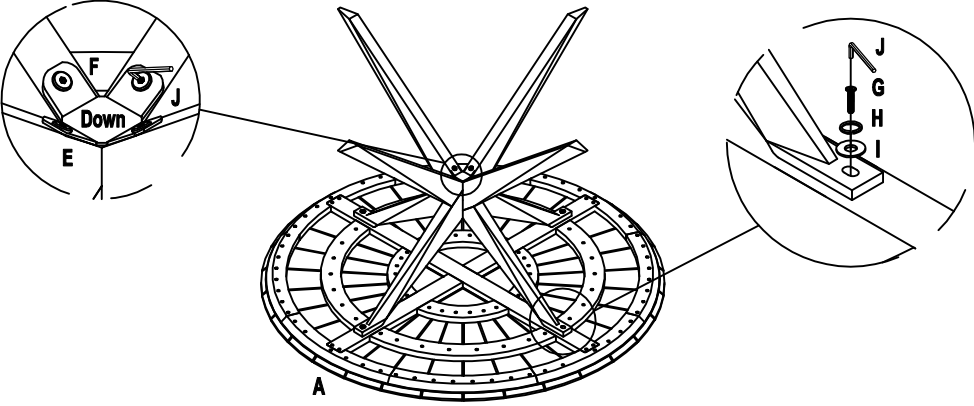
FURNITURE FOR CONTEMPORARY LIFESTYLES

 <p>A: Top x1</p>	 <p>B: Leg x1</p>	 <p>C: Leg x1</p>	 <p>D: Flower pat up x1</p>  <p>E: Flower pat down x1</p>  <p>F: Screw M6*30mm x8</p>
 <p>G: Bolt M8*35mm x4</p>	 <p>H: Spring washer x4</p>	 <p>I: Washer x4</p>	 <p>J: Allen key x1</p>

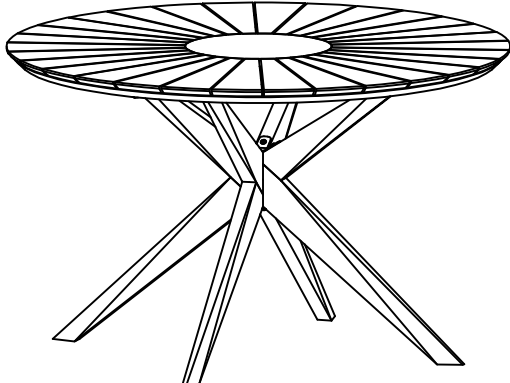
STEP 1



STEP 2

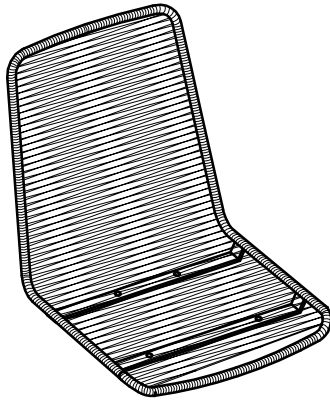


STEP 3

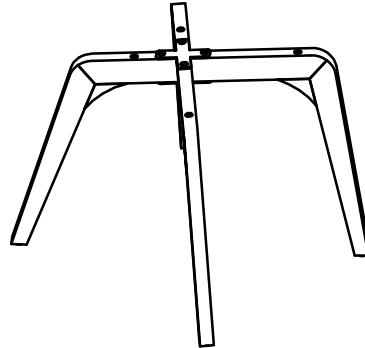


ISLAND CHAIR LCISCHSL/LCISSIGR

FURNITURE FOR CONTEMPORARY LIFESTYLES



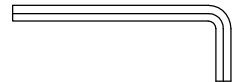
A: Seat x1



B: Leg x1

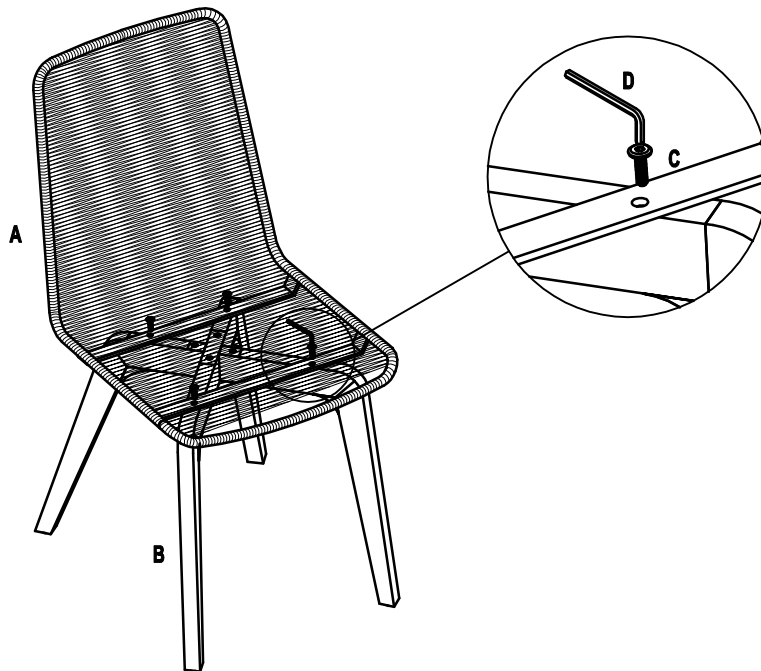


C: Bolt M6*20mm x4



D: Allen key x1

STEP 1



STEP 2

