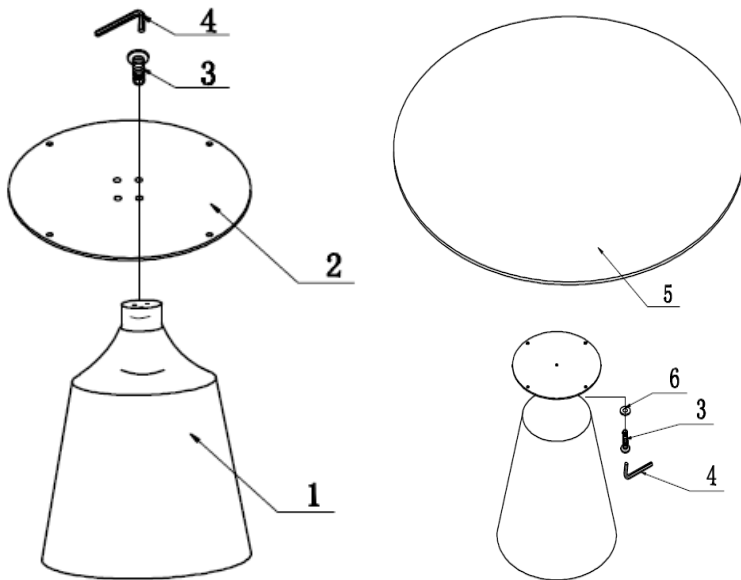








PRODUCT ASSEMBLY INSTRUCTIONS

Item#: T20871R-B

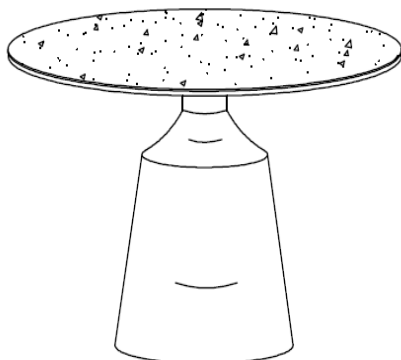
Helpers needed to assemble: 2

Estimate time frame to assemble: 30 minutes

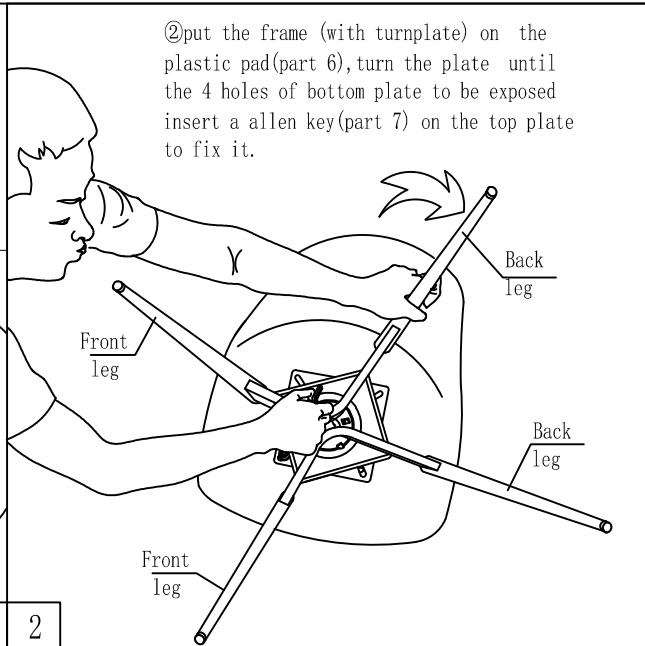
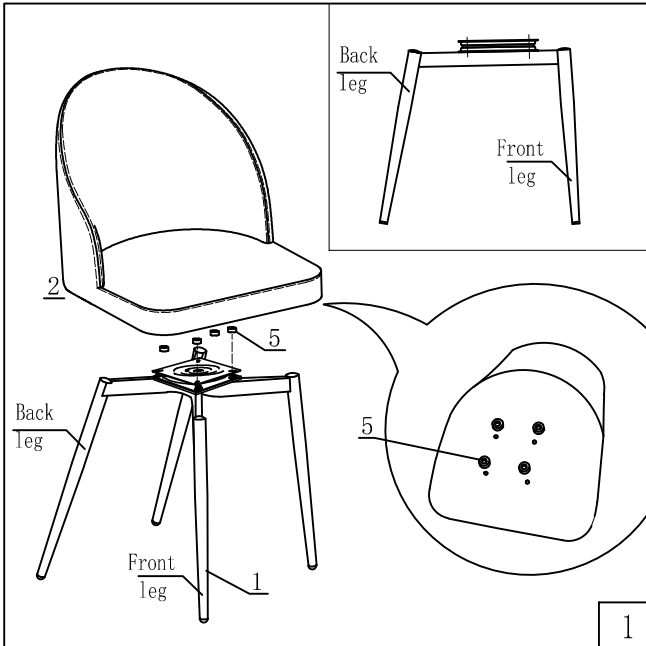


| # | Picture | Description | Quantity |
|---|---|------------------|----------|
| 1 |  | post | 1 |
| 2 |  | Supporting panel | 1 |
| 3 |  | Bolt(M8*30) | 8 |
| 4 |  | Allen Key | 1 |
| 5 |  | Tabletop | 1 |
| 6 |  | Spacer | 4 |

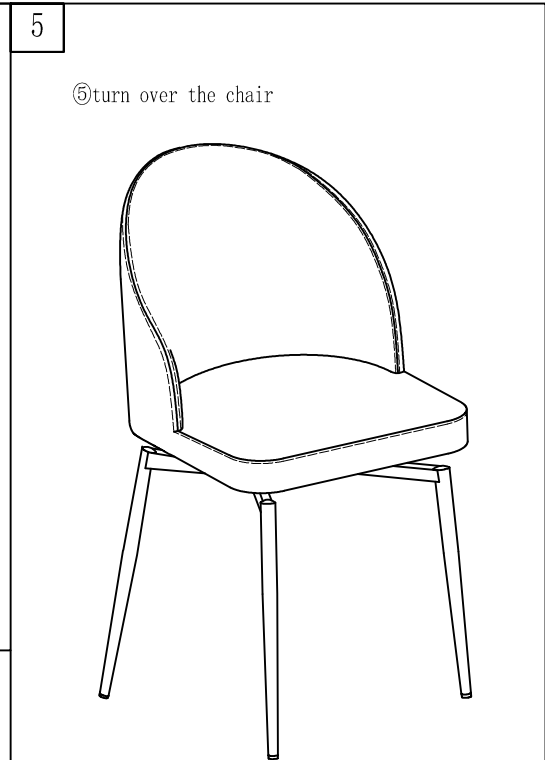
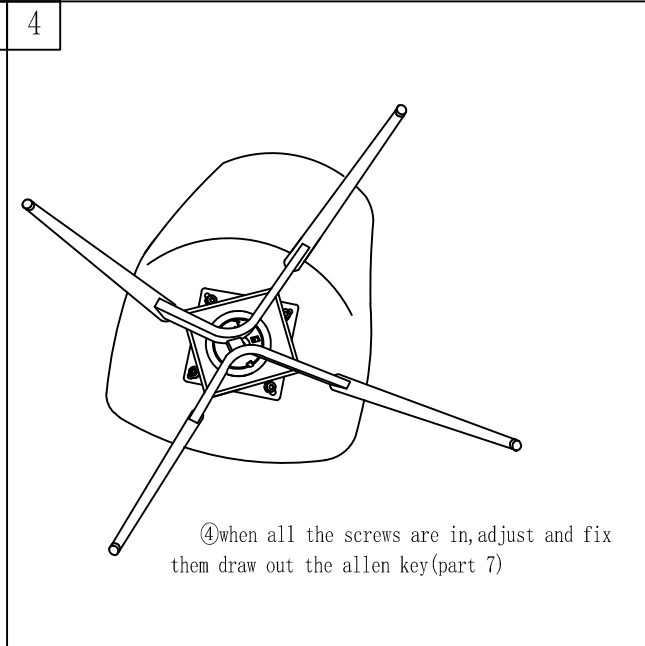
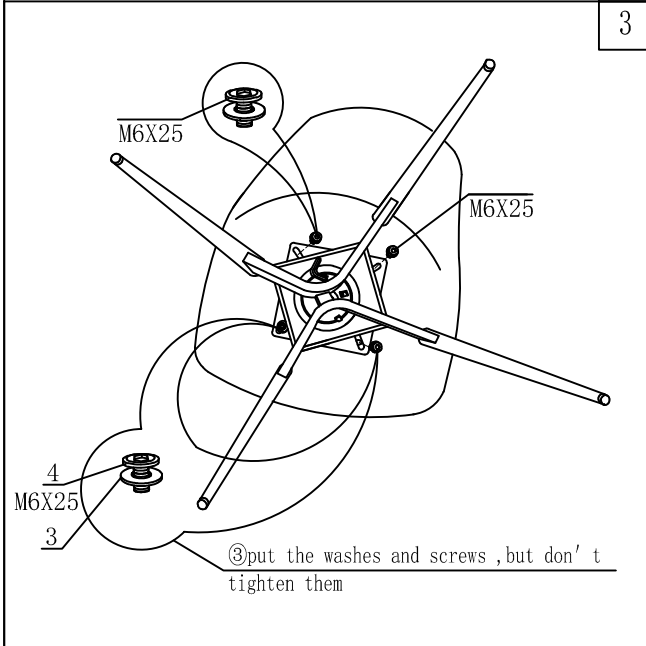
- **Step 1:** Place the post on a safe surface where the table can not be scratched or damaged.
- **Step 2:** Align the supporting panel with the post holes as seen.
- **Step 3:** Use (4) bolt (M8 x 30) to tighten the supporting panel and the post with the Allen Key. Repeat until all 4 sides are bolted
- **Step 4:** Use (4) spacers and (4) bolt (M8 x 30) to tighten the supporting panel and the table top with the Allen Key. Repeat until all 4 sides are bolted



- **Step 5:** Test the table is firmly on the ground and the table does not wiggle.
- **Step 6:** Enjoy your new table.



| | |
|---|---|
| 1 | 2 |
| 3 | 4 |



ASSEMBLING INSTRUCTION

| | | | |
|--------|----------------------|-------------|--------|
| 6 | | 4MM | 2 |
| 5 | | ∅18X20-∅8 | 2 |
| 4 | | M6X25 | 4 |
| 3 | | ∅13X1.2-∅6 | 4 |
| 2 | | | 1 |
| 1 | | | 1 |
| Number | Description | Measurement | Pieces |
| Model | DC17472A-B(turnable) | | |