

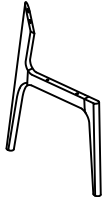
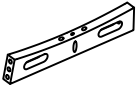
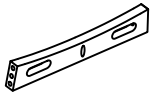







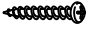




Product Assembly Instructions

KALIA DINING CHAIR

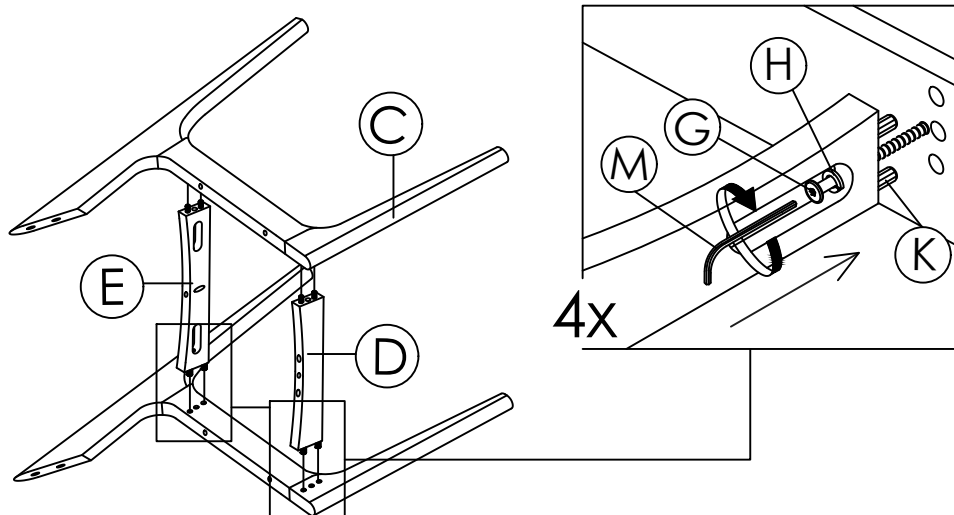
PART LIST

 A : BACKREST x1	 B : CUSHION SEAT x1	 C : SIDE LEG (L & R) x2
 D : FRONT RAIL x1	 E : BACK RAIL x1	

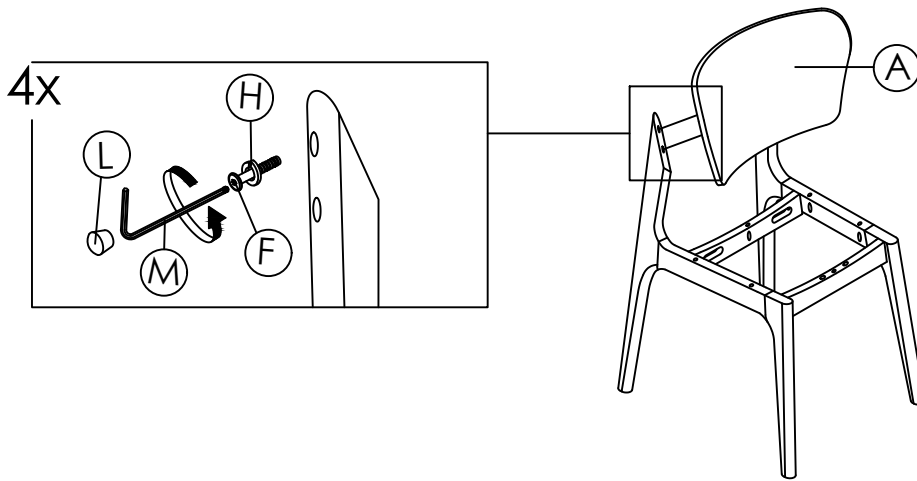
HARDWARE LIST

 F : JCBC SCREW M6 x 25mm x4	 G : JCBC SCREW M6 x 50MM x4	 H : SPRING WASHER 1/4" x8
 I : PAN HEAD WOOD SCREW M5 X 32mm x6	 J : WOOD DOWEL DIA 8 x 25mm x2	 K : WOOD DOWEL DIA 8 x 35mm x8
 L : WOOD BUTTON 14.5MM x4	 M : ALLEN KEY M4 (BALL SHAPE) x1	

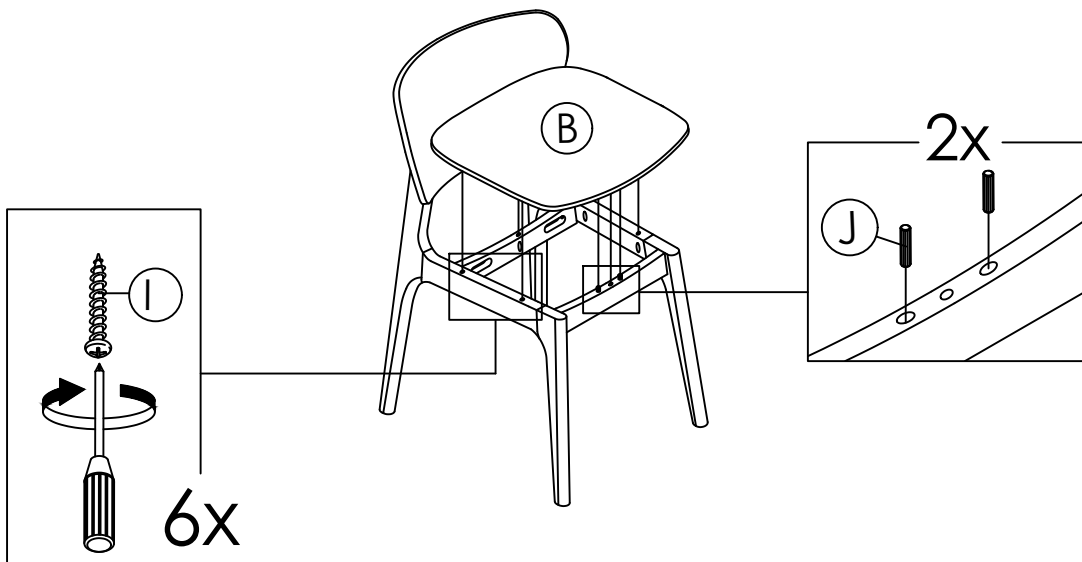
STEP 1



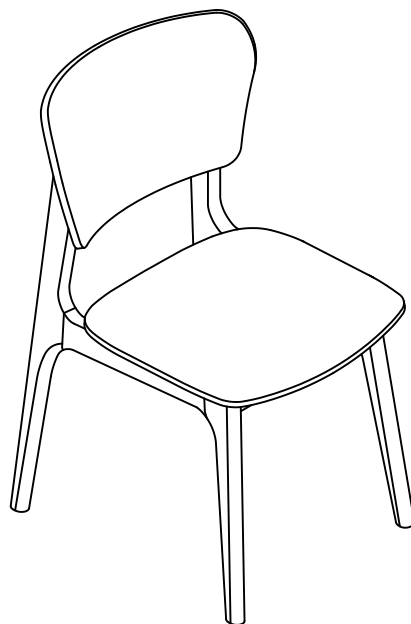
STEP 2



STEP 3



STEP 4

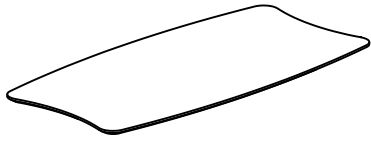




Product Assembly Instructions

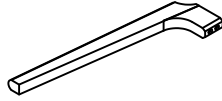
KALIA TABLE

PART LIST



A : TABLE TOP

x1



B : TABLE LEG

x4

HARDWARE LIST



C : JCBB SCREW M8 x 80MM

x8



D : JCBB SCREW M8 x 60MM

x4



E : SPRING WASHER 5/16"

x12



F : FLAT WASHER 5/16"

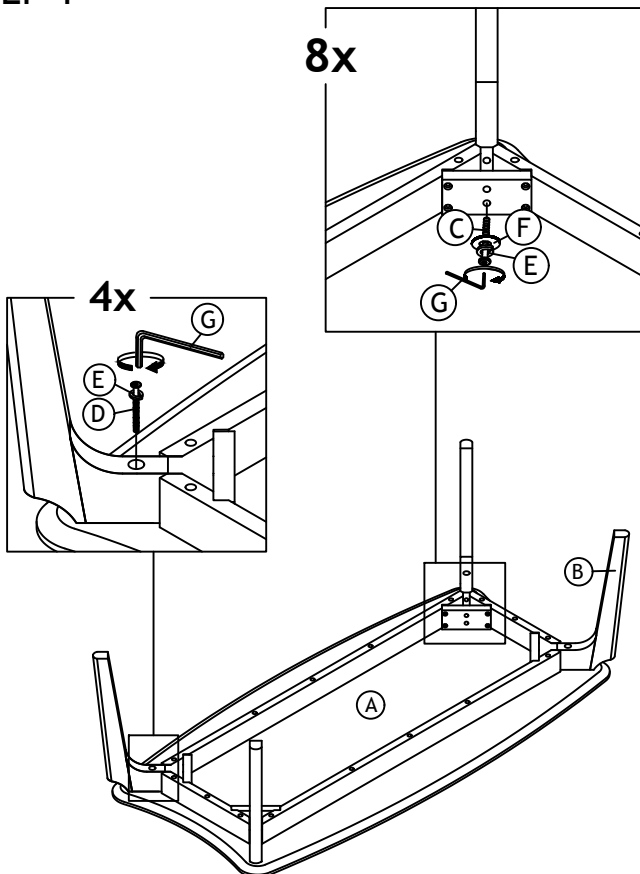
x8



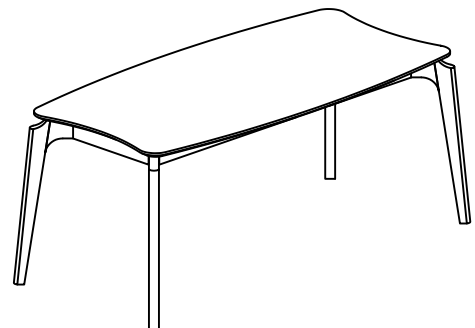
G : ALLEN KEY M5

x1

STEP 1



STEP 2



COMPLETED ASSEMBLY