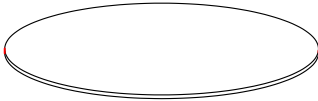
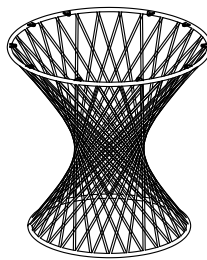


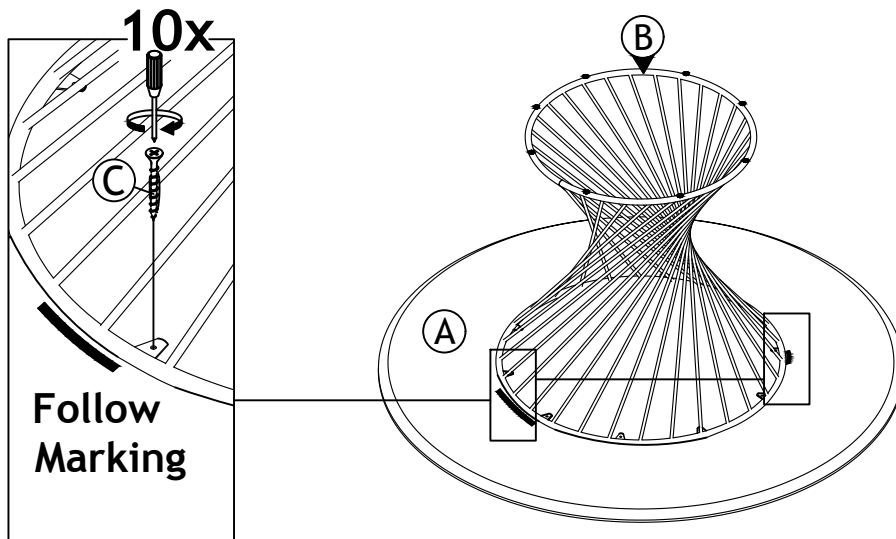
### PART LIST

 <p>A : TABLE TOP      x1</p>	 <p>B : METAL LEG      x1</p>	
--	--	--

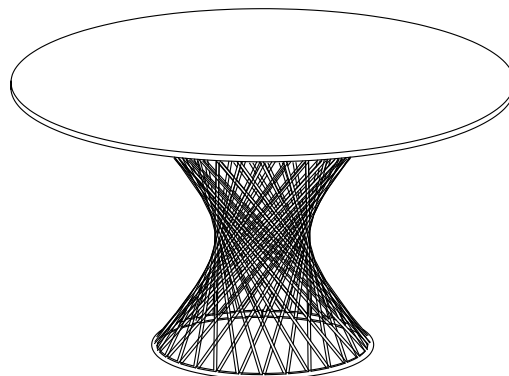
### HARDWARE LIST

 <p>C : PAN HEAD SCREW M4 x 16MM      x10</p>	
--	--

### STEP 1



### STEP 2



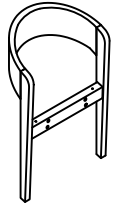
ASSEMBLY COMPLETED



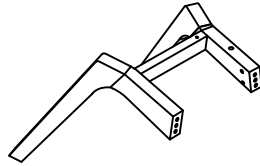
# Product Assembly Instructions

## LCJASIBRWA/LCJASIBRBL

### PART LIST



A : BACK REST VENEER x1



B : BACK LEG (SET) x1

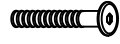


C : CUSHION SEAT X1

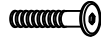
### HARDWARE LIST



D : JCBC SCREW M6 x 80MM (BLK) x4



E : JCBC SCREW M6 x 70MM x2



F : JCBC SCREW M6 x 60MM x2



G : SPRING WASHER 1/4" (BLK) x4



H : SPRING WASHER 1/4" x4



I : BARREL NUT M6 x 13MM x4

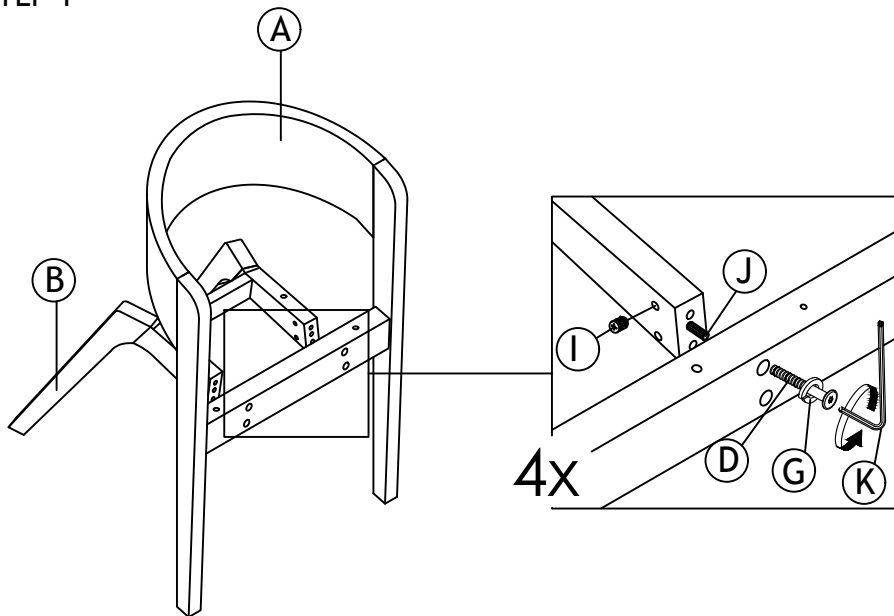


J : WOOD DOWEL DIA 8 x 35MM x2

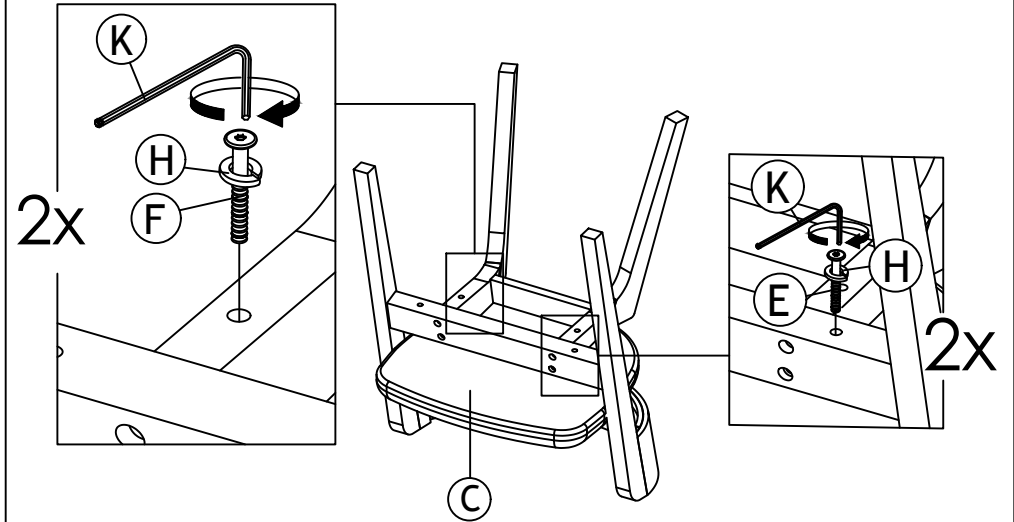


K : ALLEN KEY M4 ( BALL SHAPE ) x1

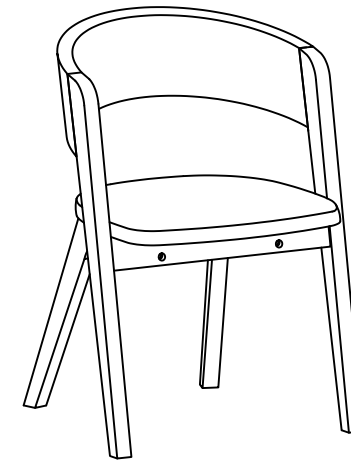
### STEP 1



### STEP 2



### STEP 3



ASSEMBLY COMPLETED