

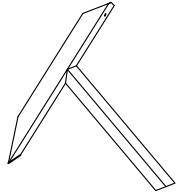


# Product Assembly Instructions LCCODIBLTOP/LCCODIBLBASE

## PART LIST



A : TABLE TOP x1



B : TABLE LEG x6

## HARDWARE LIST



E : JCBC SCREW M6 x 40MM x6



F : JCBC SCREW M6 x 60MM(BLK) x6



G : SPRING WASHER 1/4" x6



H : SPRING WASHER 1/4"(BLK) x6



I : ADJUSTABLE SCREW x6

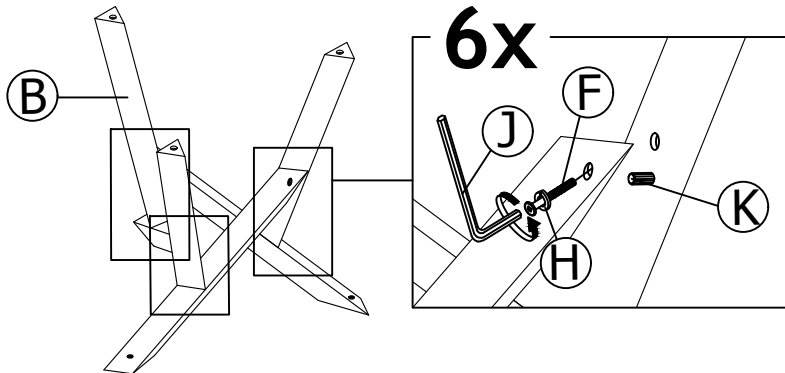


J : M4 ALLEN KEY (BALL SHAPE)LONG x1

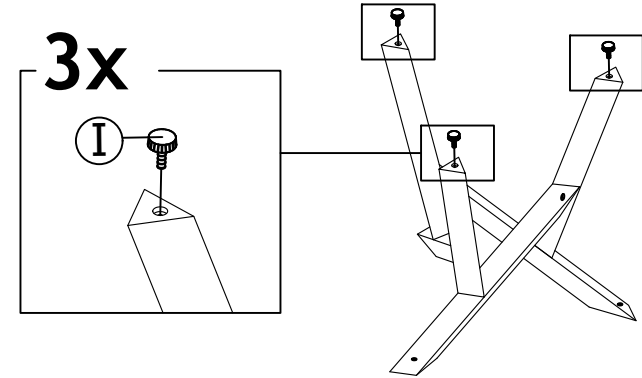


K : WOOD DOWEL DIA 12 x 30MM x6

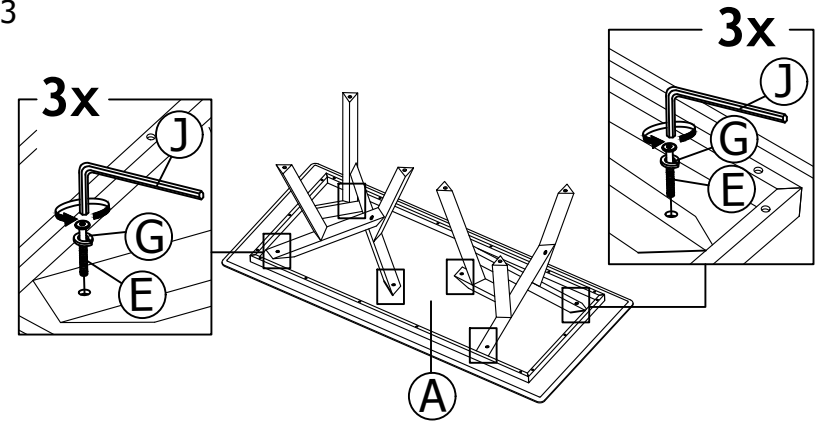
## STEP 1



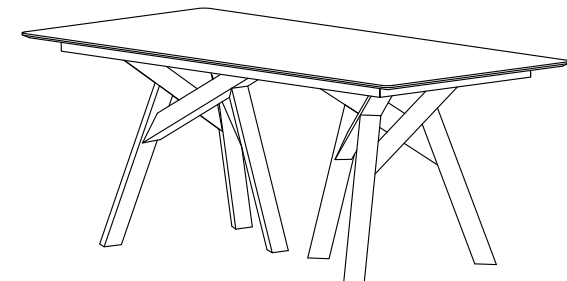
## STEP 2



## STEP 3



## STEP 4



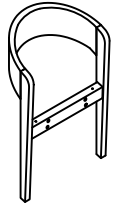
ASSEMBLY COMPLETED



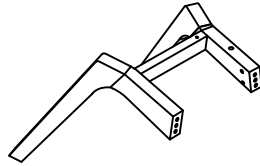
# Product Assembly Instructions

## LCJASIBRWA/LCJASIBRBL

### PART LIST



A : BACK REST VENEER x1



B : BACK LEG (SET) x1

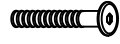


C : CUSHION SEAT X1

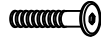
### HARDWARE LIST



D : JCBC SCREW M6 x 80MM (BLK) x4



E : JCBC SCREW M6 x 70MM x2



F : JCBC SCREW M6 x 60MM x2



G : SPRING WASHER 1/4" (BLK) x4



H : SPRING WASHER 1/4" x4



I : BARREL NUT M6 x 13MM x4

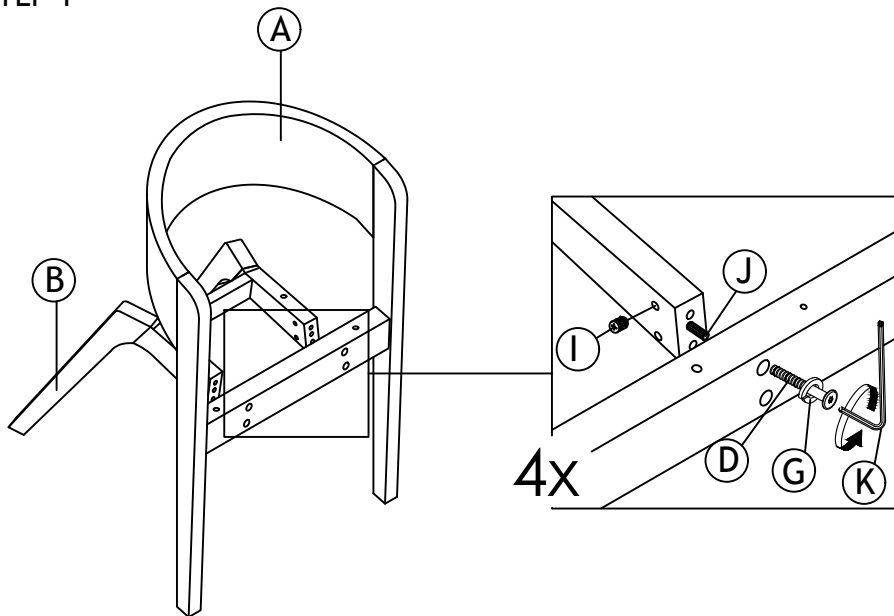


J : WOOD DOWEL DIA 8 x 35MM x2

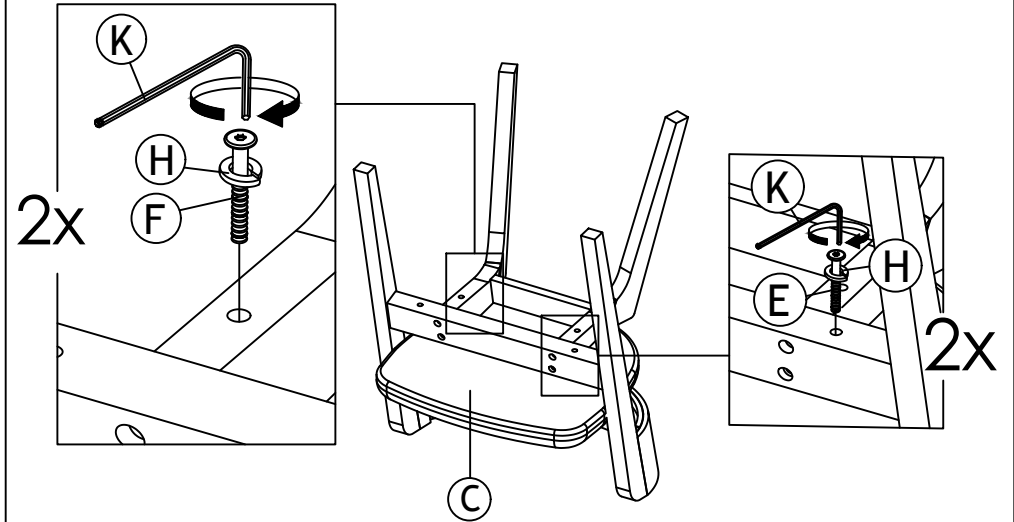


K : ALLEN KEY M4 ( BALL SHAPE ) x1

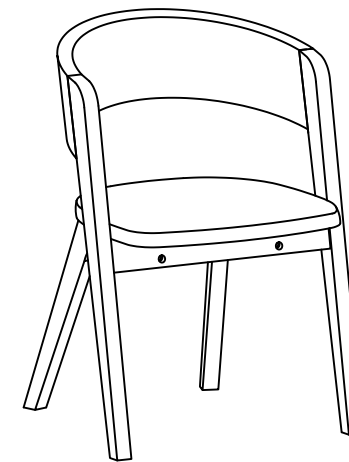
### STEP 1



### STEP 2



### STEP 3



ASSEMBLY COMPLETED