

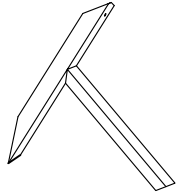


Product Assembly Instructions LCCODIBLTOP/LCCODIBLBASE

PART LIST



A : TABLE TOP x1



B : TABLE LEG x6

HARDWARE LIST



E : JCBC SCREW M6 x 40MM x6



F : JCBC SCREW M6 x 60MM(BLK) x6



G : SPRING WASHER 1/4" x6



H : SPRING WASHER 1/4"(BLK) x6



I : ADJUSTABLE SCREW x6

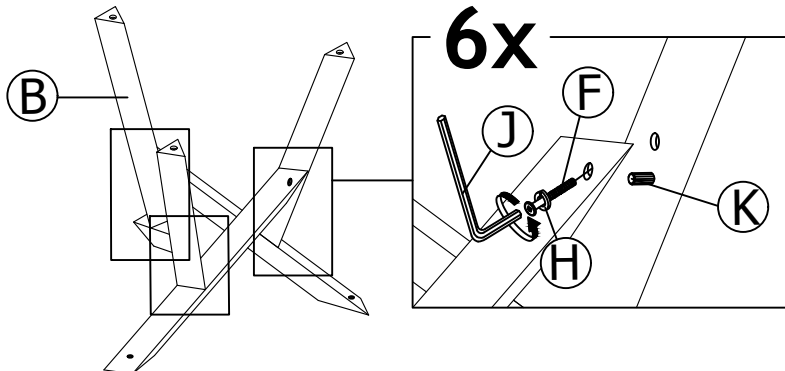


J : M4 ALLEN KEY (BALL SHAPE)LONG x1

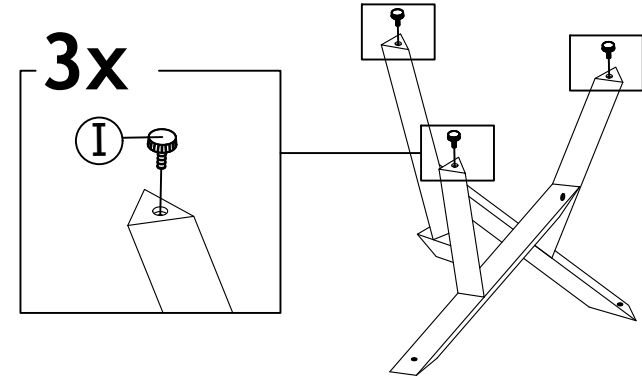


K : WOOD DOWEL DIA 12 x 30MM x6

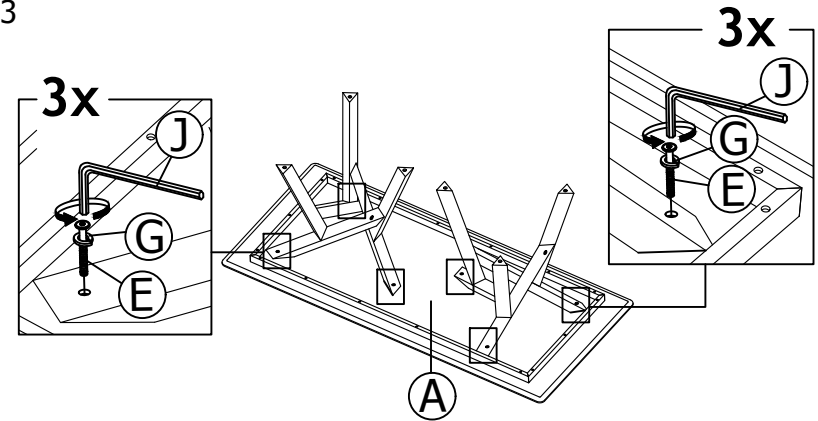
STEP 1



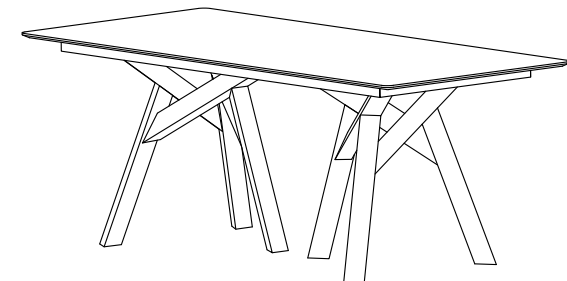
STEP 2



STEP 3



STEP 4



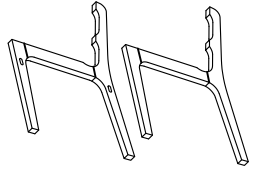
ASSEMBLY COMPLETED



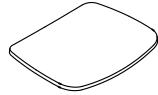
Product Assembly Instructions

LCLMSIGRWA/LCLMSIGRBL

PART LIST



A : SIDE LEGS (L & R) x2



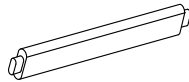
B : CUSHION SEATS x1



C : BACK VENEERS x1



D : FRONT RAILS x1



E : BACK RAILS x1

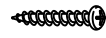
HARDWARE LIST



C : JCBC SCREW M6 x 40MM x4



D : SPRING WASHER 1/4" x4



E : PAN HEAD WOOD SCREW M5 X 32MM x8



F : WOOD DOWEL DIA 8 x 25MM x2

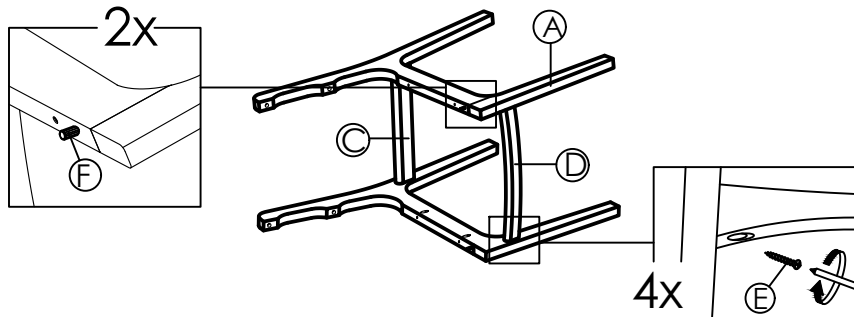


G : WOOD BUTTON (DIA:14.5) x4

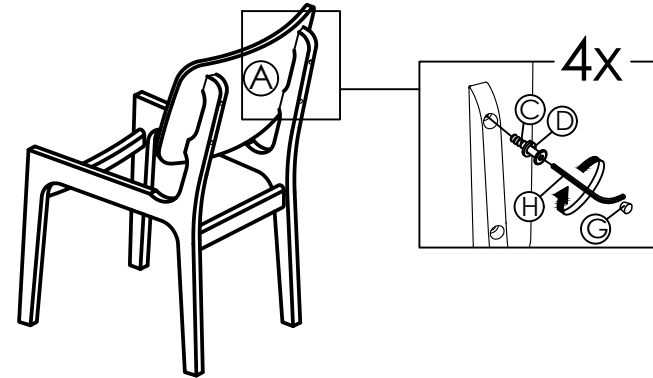


H : M4 ALLEN KEY (BALL SHAPE) LONG x1

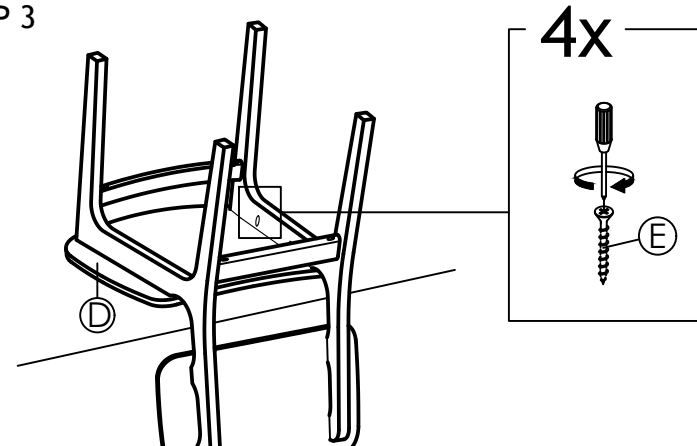
STEP 1



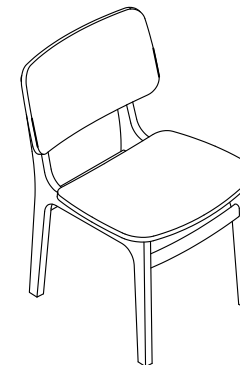
STEP 2



STEP 3



STEP 4



ASSEMBLY COMPLETED