

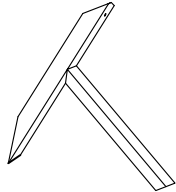


# Product Assembly Instructions LCCODIBLTOP/LCCODIBLBASE

## PART LIST



A : TABLE TOP x1



B : TABLE LEG x6

## HARDWARE LIST



E : JCBC SCREW M6 x 40MM x6



F : JCBC SCREW M6 x 60MM(BLK) x6



G : SPRING WASHER 1/4" x6



H : SPRING WASHER 1/4"(BLK) x6



I : ADJUSTABLE SCREW x6

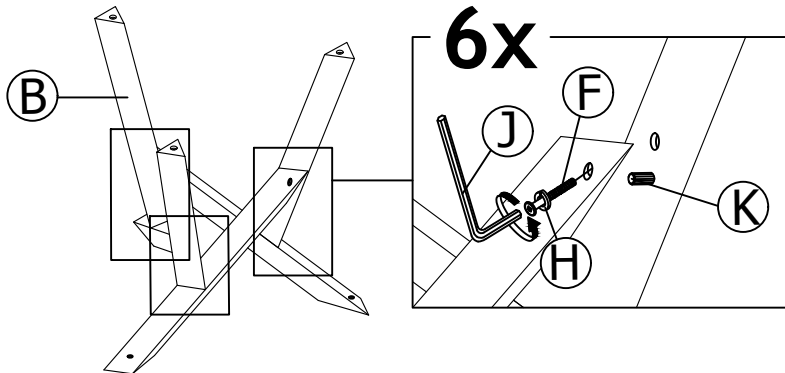


J : M4 ALLEN KEY (BALL SHAPE)LONG x1

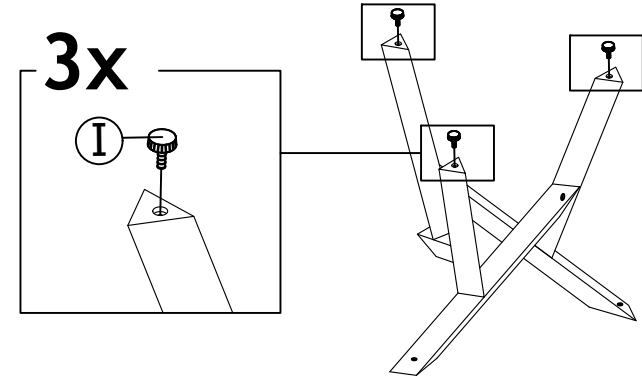


K : WOOD DOWEL DIA 12 x 30MM x6

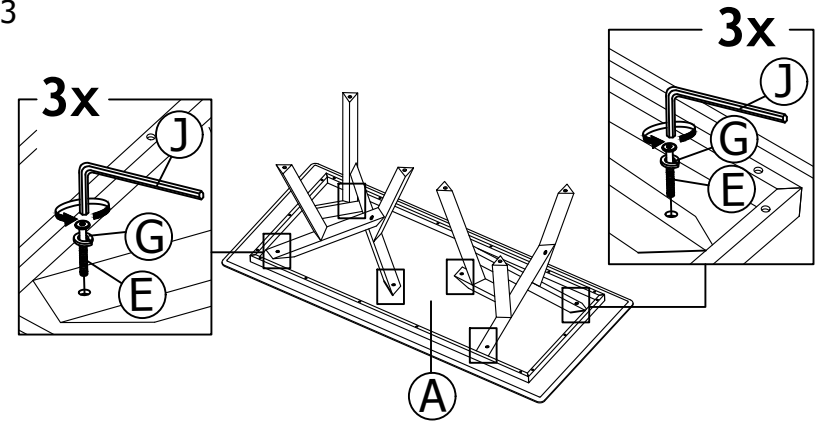
## STEP 1



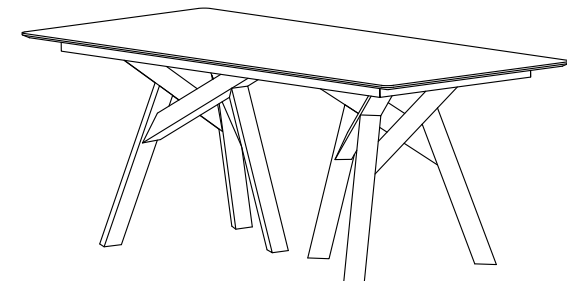
## STEP 2



## STEP 3



## STEP 4

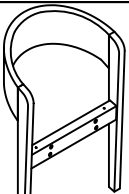
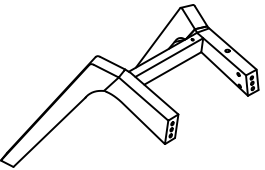



ASSEMBLY COMPLETED









# Product Assembly Instructions

## LCRWSIGRWA/LCRWSIGRBL

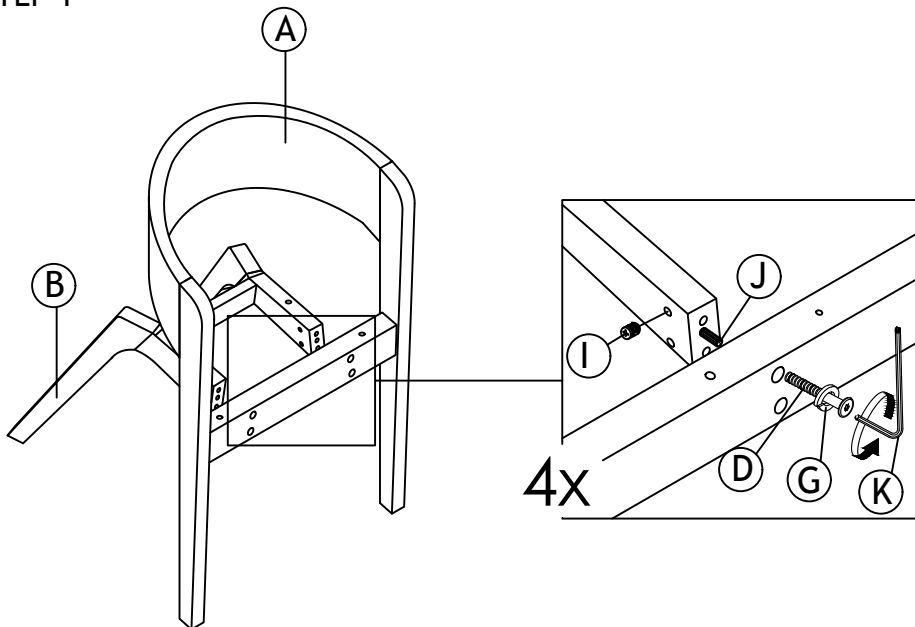
### PART LIST

 <p>A: BACK REST x1</p>	 <p>B: BACK LEG (SET) x1</p>	 <p>C: CUSHION SEAT X1</p>
--	---	--

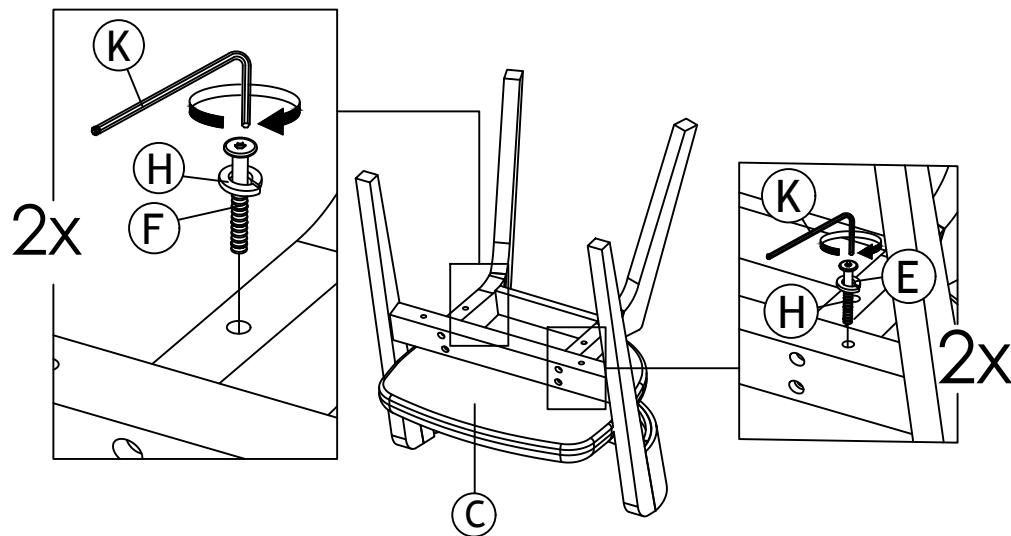
### HARDWARE LIST

 <p>D: JCBC SCREW M6 x 80MM (BLK) x4</p>	 <p>E: JCBC SCREW M6 x 70MM x2</p>	 <p>F: JCBC SCREW M6 x 60MM x2</p>
 <p>G: SPRING WASHER 1/4" (BLK) x4</p>	 <p>H: SPRING WASHER 1/4" x4</p>	 <p>I: BARREL NUT M6 x 13MM x4</p>
 <p>J: WOOD DOWEL DIA 8 x 35MM x2</p>	 <p>K: ALLEN KEY M4 ( BALL SHAPE) x1</p>	

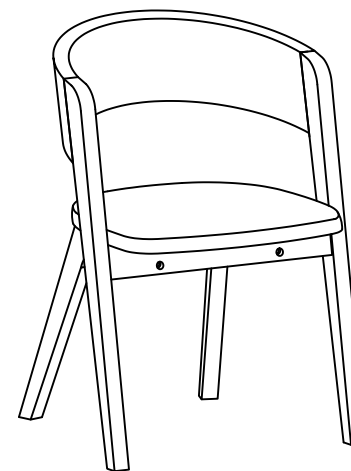
### STEP 1



### STEP 2



### STEP 3



ASSEMBLY COMPLETED