

Product Assembly Instructions Item#:

CELINA COUNTER HEIGHT TABLE


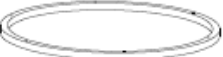



Helpers needed to assemble: 2

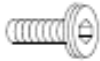





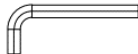

Estimated time frame to assemble: 15 minutes

Thank you for purchasing this quality product. Be sure to check all packing material carefully for small parts, which may come loose inside the carton during shipment. Please identify and count all parts and compare with the HARDWARE LIST below.

Caution: Please read instructions carefully before unpacking assembly parts. Sharp, exposed staples can cause injury, therefore, for your protection, please remove any exposed staples used in packing.

* Retain the Allen key for regular maintenance. We recommend tightening all screws every three months to ensure continued stability and performance. *

#	Picture	Description	Q'TY.
A		Leg	4
B		Top Frame	1
C		Table Base	1
D		Table Base Plate	1
E		Glass Table Top	1

#	Picture	Description	Qty
1		Ø1/4" x 22mm Bolt	16
2		Ø1/4" x 38 mm Bolt	4
3		Thread cap	2
4		Ø16/ Ø6 mm Flat washer	8
5		Ø13/ Ø6 mm Flat washer	8
6		Ø1/4" Spring Washer	16
7		Allen key	1
8		Glass Suction Pad	6

Before beginning assembly, place all parts on a smooth, flat surface.

Step 1 – Assemble the Leg.

- Position two **leg (A)** together.
- Align the holes on the leg.
- Secure using **Ø1/4" × 22 mm bolts (1)**, **spring washers (6)**, and **flat washers (4)**.
- Tighten with the provided **Allen key (7)**.
- Repeat to assemble the remaining two **leg (A)**.

Step 2 – Attach Top Frame.

- Turn the assembled leg upside down on a soft surface.
- Attach the **top frame (B)** to the leg.
- Secure with **Ø1/4" × 22 mm bolts (1)**, **spring washers (6)**, and **flat washers (4)**.
- Ensure holes are aligned before fully tightening all bolts.

Step 3 – Attach the Table Base to the Leg Frame.

- Insert the **threaded caps (3)** into two opposite holes on the bottom of the leg

Step 4 – Attach the Table Top to the Leg Frame.

- Position the **table base (C)** onto the **thread caps (3)**.
- Place the **table base plate (D)** onto the **thread caps (3)**.
- Secure using **Ø1/4" × 38 mm bolts (2)** in the remaining holes.
- Remove the temporary **thread caps (3)** and replace them with **Ø1/4" × 38 mm bolts (2)**.
- Tighten all bolts securely with the **Allen key (7)**.

Step 5 – Install Upper Main Table Top

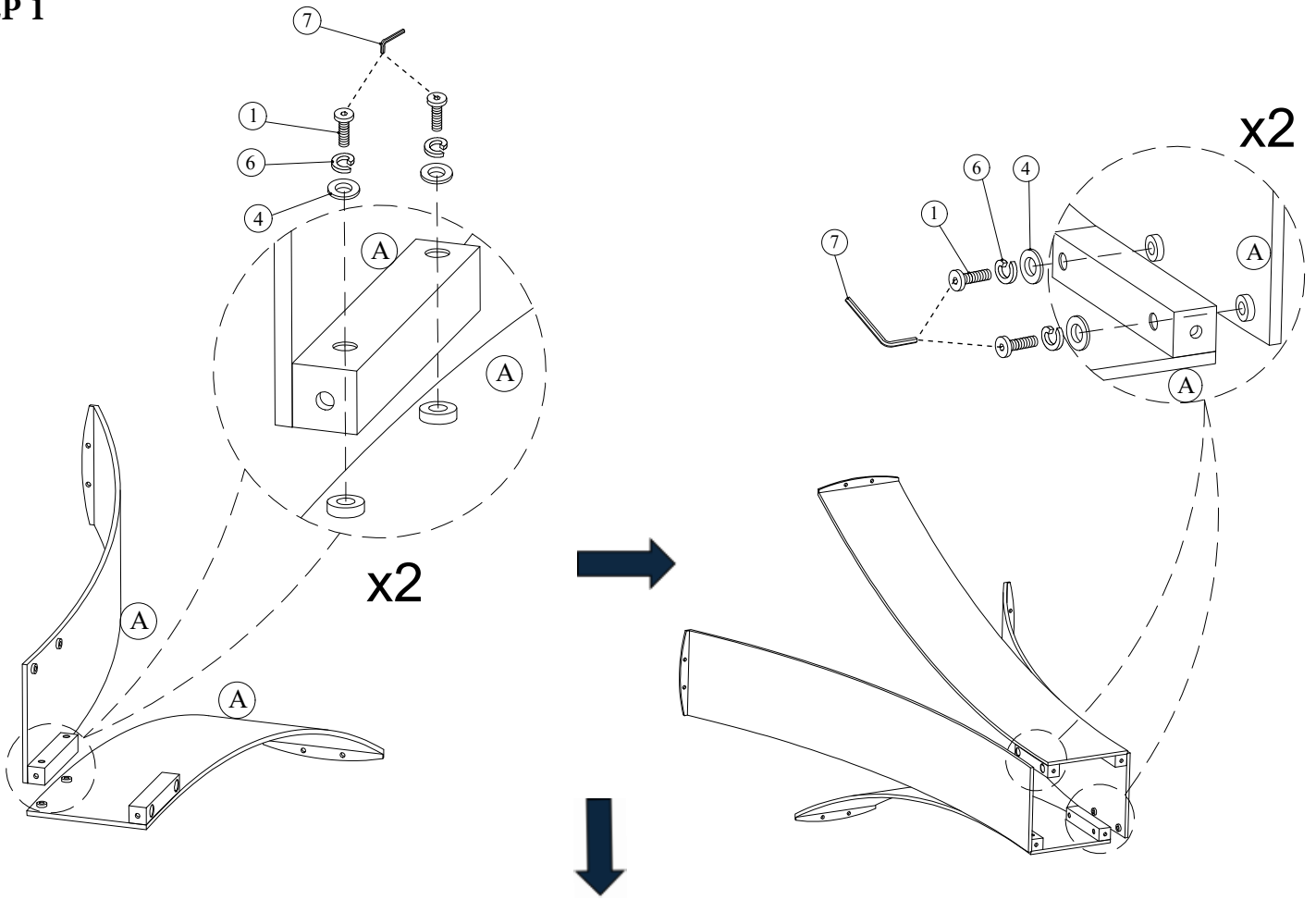
- Attach six **glass suction pads (8)** to the **top frame (B)**.

Step 6 – Install Glass Tabletop

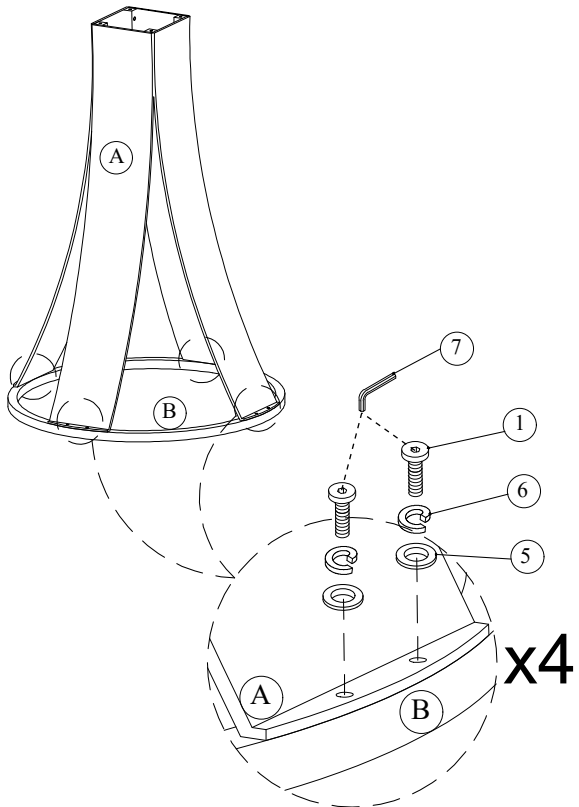
- Carefully place the **Tabletop (E)** onto the **top frame (B)**.

Assembly Complete - Enjoy your Celina Counter Height Table!

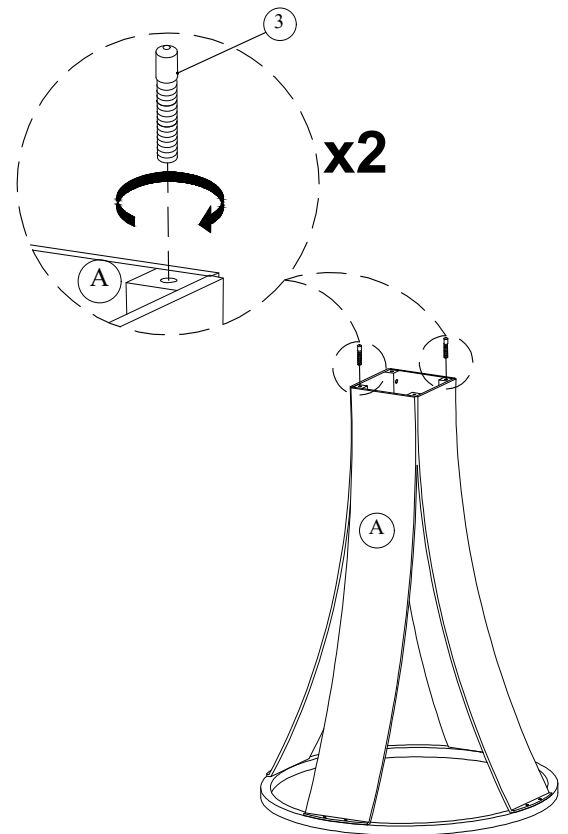
STEP 1



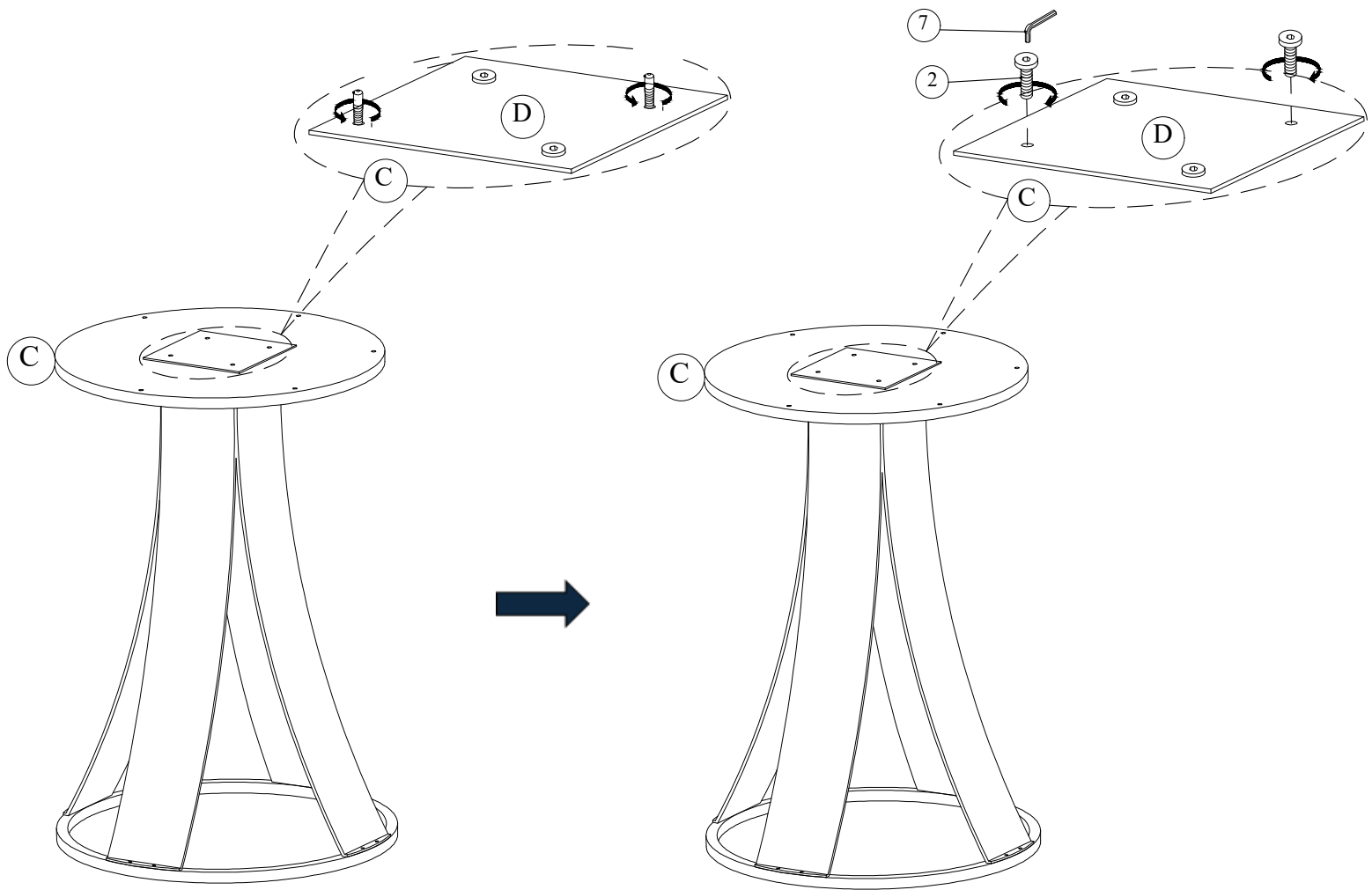
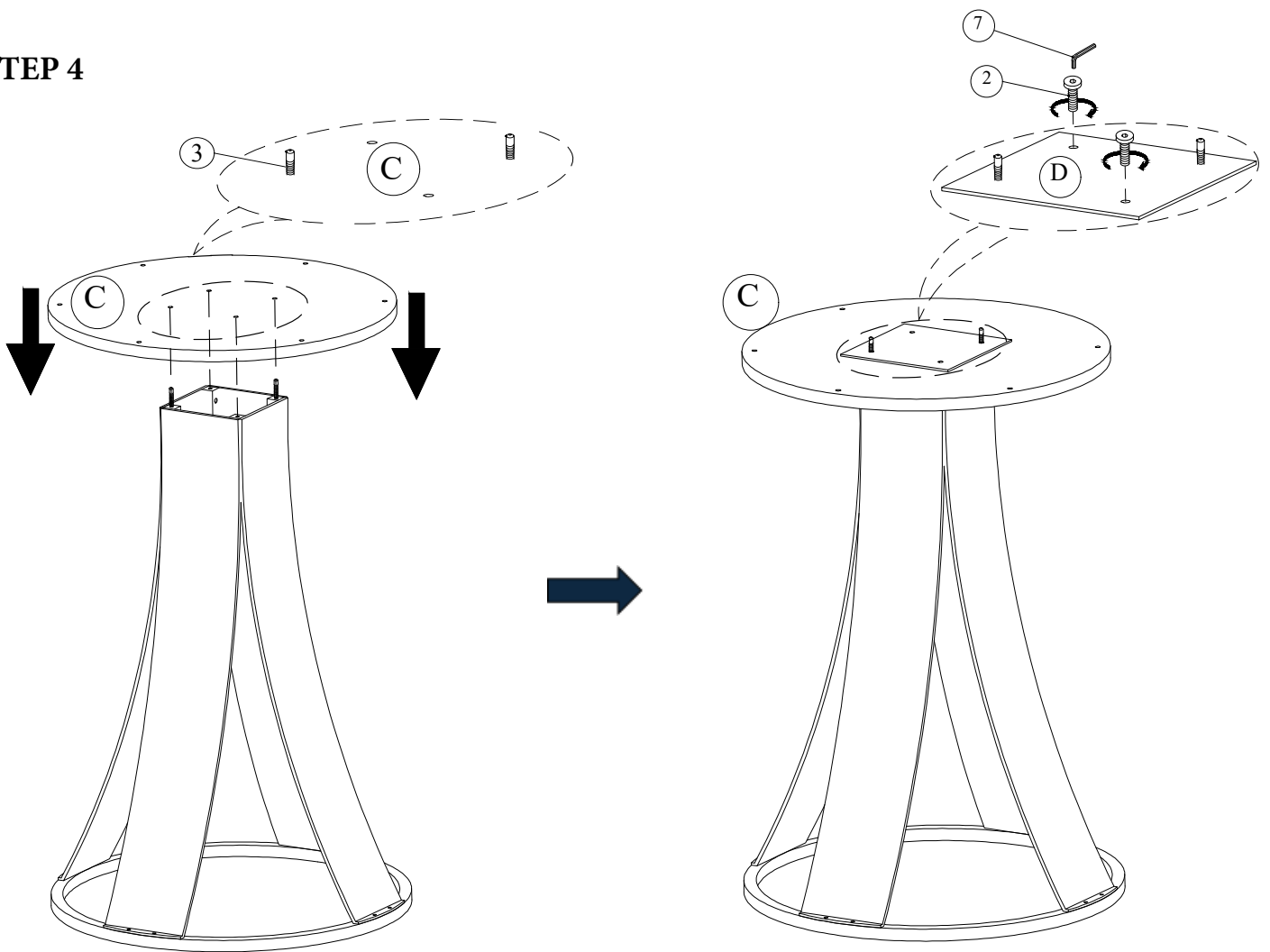
STEP 2



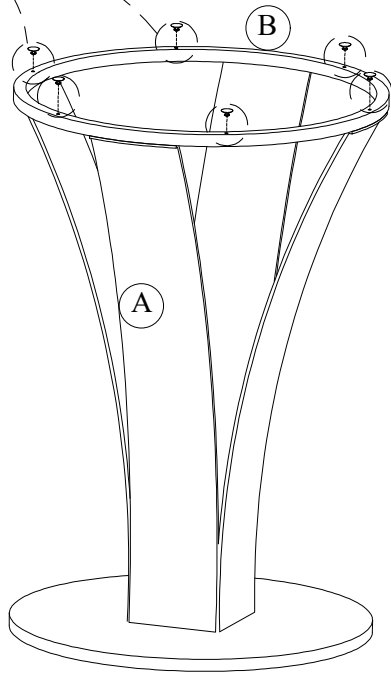
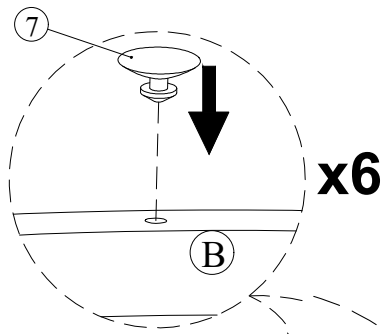
STEP 3



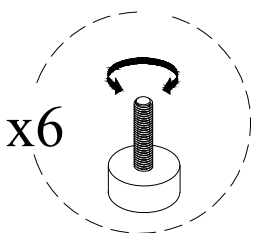
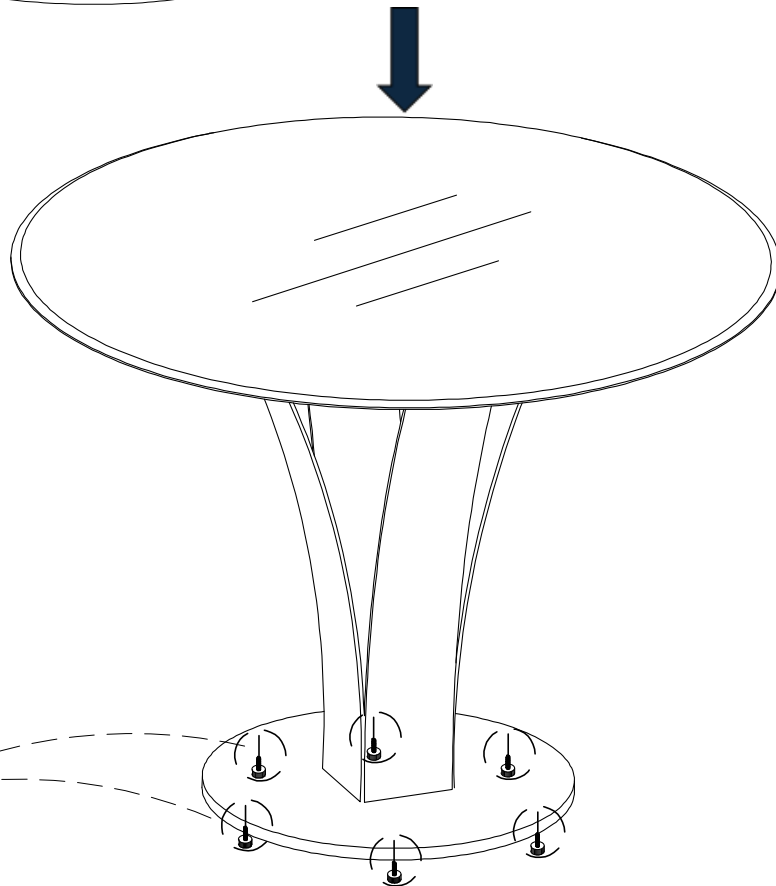
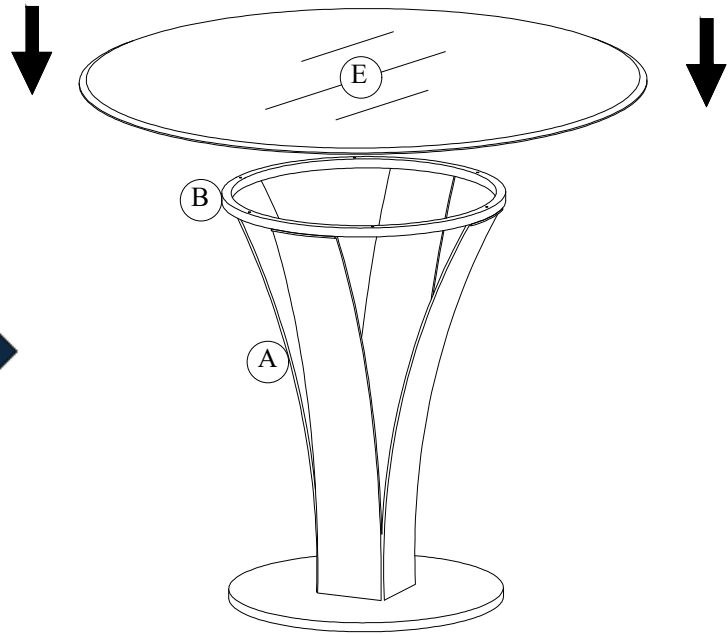
STEP 4



STEP 5



STEP 6



Adjustable Leveler

Adjust it until the table stables and level on the floor.

Product Assembly Instructions

Item#: CELINA BARSTOOL

Helpers needed to assemble: 2

Estimated time frame to assemble: 10 minutes

Thank you for purchasing this quality product. Be sure to check all packing material carefully for small parts, which may come loose inside the carton during shipment. Please identify and count all parts and compare with the **HARDWARE LIST** below.

Caution: Please read instructions carefully before unpacking assembly parts. Sharp, exposed staples can cause injury, therefore, for your protection, please remove any exposed staples used in packing.

* Retain the Allen key for regular maintenance. We recommend tightening all screws every three months to ensure continued stability and performance. *

Before beginning assembly, place all parts on a smooth, flat surface.

Step 1 - Attach Backrest.




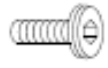
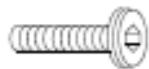



- Attach the **backrest (B)** to the **leg frame (A)** using **Ø1/4" x 16 mm bolts (1)** with **flat washers (3)** and **spring washers (4)** on each side.
- Use the provided **Allen key (5)** and tighten all bolts securely.

Step 2 - Attach Seat.

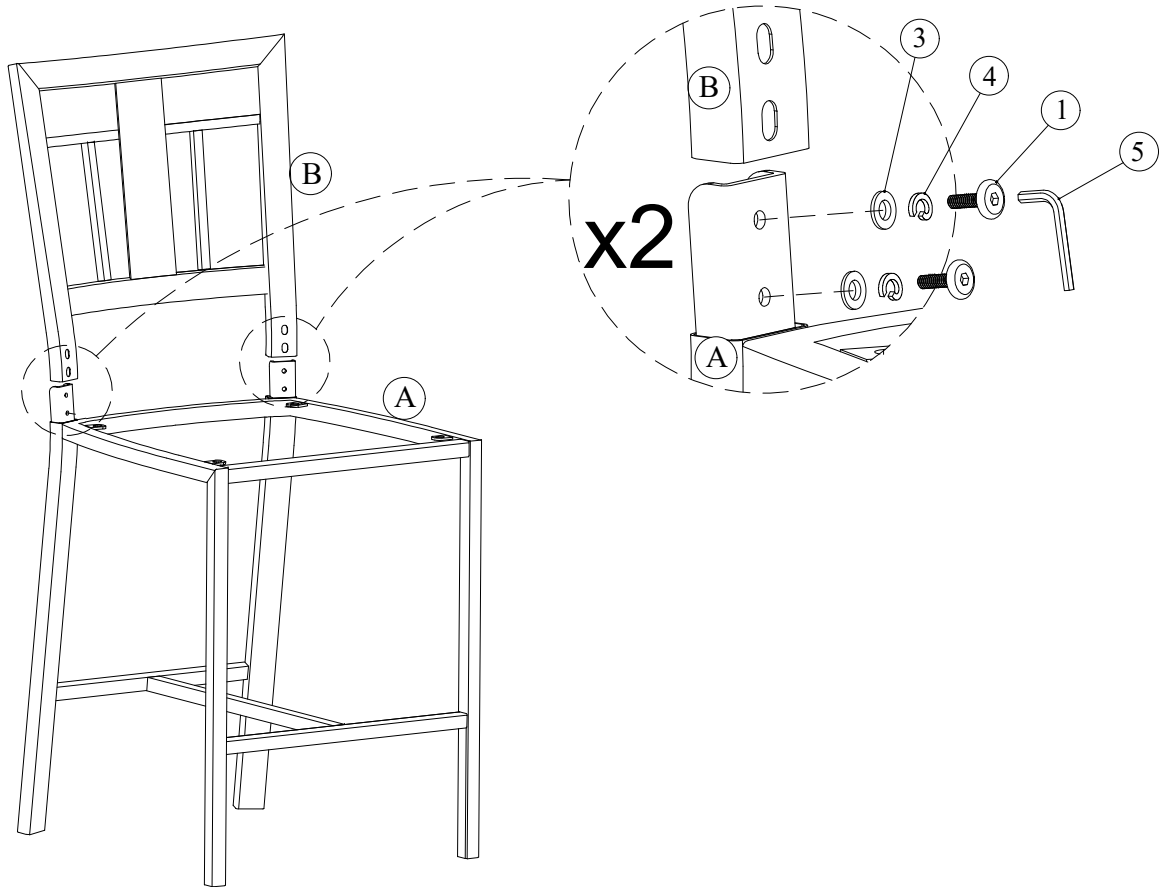
- Attach the **seat (C)** to the **leg frame (A)**. Place the stool upside down on a soft surface to avoid damage.
- Secure using **Ø1/4" x 25 mm bolts (2)** with **flat washers (3)** and **spring washers (4)**.
- Ensure all holes are properly aligned before fully tightening.

Assembly Completed!

Your barstool is now ready for use.

#	Picture	Description	Q'TY.
A		Leg Frame	1
B		Backrest	1
C		Seat	1
1		Ø1/4" x 16 mm Bolt	4
2		Ø1/4" x 25 mm Bolt	4
3		Ø16/Ø6 Flat washer	8
4		Ø1/4" Spring washer	8
5		Allen key	1

STEP 1



STEP 2

