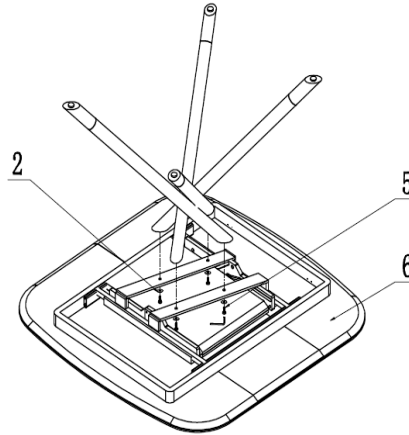
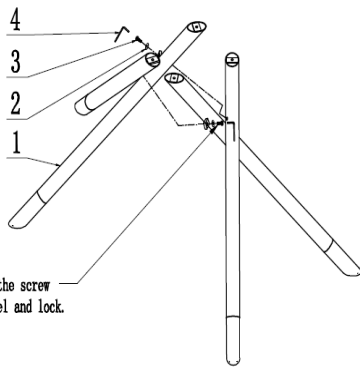








PRODUCT ASSEMBLY INSTRUCTIONS

Item#: T171039LB-A

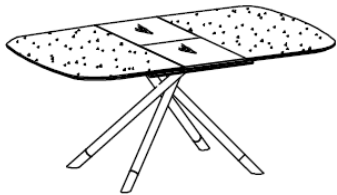
Helpers needed to assemble: 2

Estimate time frame to assemble: 30 minutes



#	Picture	Description	Quantity
1		Legs	2
2		Spacer	6
3		Bolt (M8*20)	2
4		Allen Key	1
5		Bolt (M8*30)	4
6		Tabletop	1

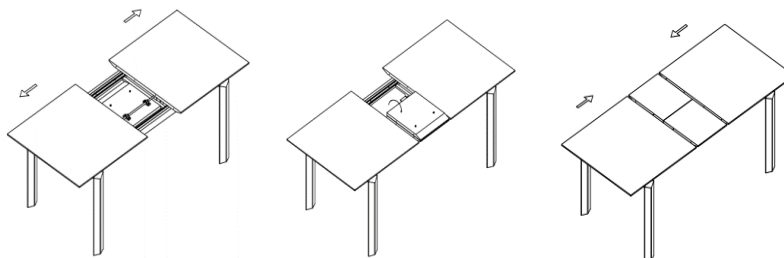
- **Step 1:** Use (2) spacer and (2) bolt (M8 x 20) to tighten the legs with the Allen Key.
- **Step 2:** Place the table top upside down on a safe surface where the table can't be scratched or damaged.
- **Step 3:** Align the table leg with the table top holes as seen.
- **Step 4:** Use (4) spacer and (4) bolt (M8 x 30) to tighten the table leg and the table top with the Allen Key. Repeat until all 4 sides are bolted



- **Step 5:** Flip the table over upright as seen.
- **Step 6:** Test the table is firmly on the ground and the table does not wobble.
- **Step 7:** Enjoy your new table.

Extension Table Instructions

- **Step 8:** Pull the two sides of the panel apart as seen in the diagram to expose the middle extension.
- **Step 9:** Flip the extension panel as seen in the diagram out to lay flat and align with the rest of the table. The middle extension will then allow you to flip the second panel to complete the extension table.
 - Note the extension panels should be flipped together at the same time.
 - This can be broken if done incorrectly and tried to split by panel and then flip separately.
- **Step 10:** Align the two sideboards and the middle extension panels holes as seen. Push the side panels in and adjust to reunite the parts of extension panel and two side panels until the metal tips with the holes click and remove any spacing in between the extension and side panels. Enjoy your new extension table!

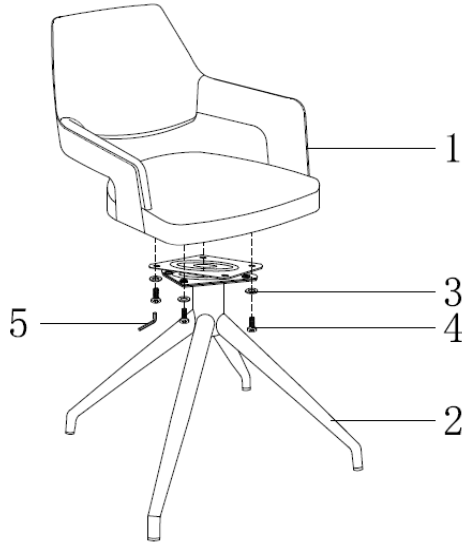







Product Assembly Instructions

Item#: DC19394C-B

Helpers needed to assemble: 2

Estimate time frame to assemble: 20 minutes



#	Picture	Description	Quantity
1		Seat	1
2		legs	1
3		Spacer	4
4		Bolt(M6X16)	4
5		Allen Key	1

- **Step 1:** On the top of the plate use (4) spacers and (4) bolt (M6 x 16) to tighten the top portion of the plate with the Allen Key. Repeat until all 4 sides are bolted.
- **Step 2:** Turn the dining chair legs upside down to tighten the swivel plate underneath.
- **Step 3:** Once the swivel is secure, we will add the seat under the dining chair to connect the seat to the legs.



- **Step 4:** Flip the dining chair over upright as seen.
- **Step 5:** Test the dining chair is firmly on the ground and the seat does not wiggle.
- **Step 6:** Sit and enjoy your new dining chair.