

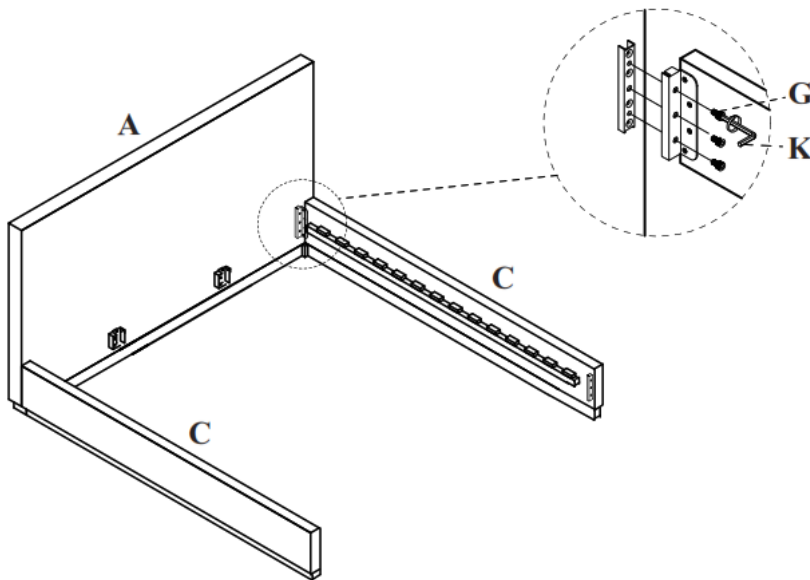
PRODUCT ASSEMBLY INSTRUCTIONS

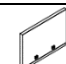










Item#: ABBEY KING BEDFRAME

Helpers needed to assemble: 2

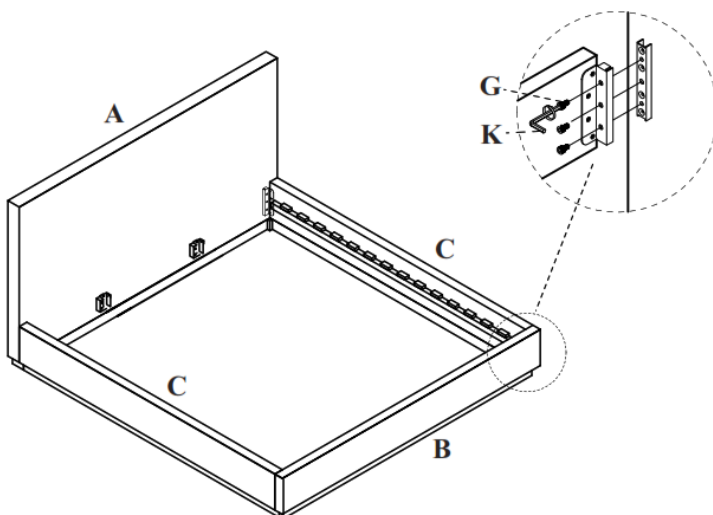
Estimate time frame to assemble: 1 Hour

Tools Needed not Included: **Phillips Screwdriver**

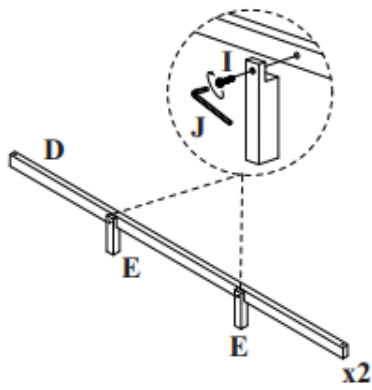


#	Picture	Description	Quantity
A		Headboard	1
B		Footboard	1
C		Siderail	2
D		Middle Rail	2
E		Leg	4
F		Slat Frame	15
G		Bolt – M6 x 10mm	12
H		Screw – M4 x 30mm	34
I		Bolt – M3 x 30mm	4
J		Allen Key – M4	1
K		Allen Key – M5	1

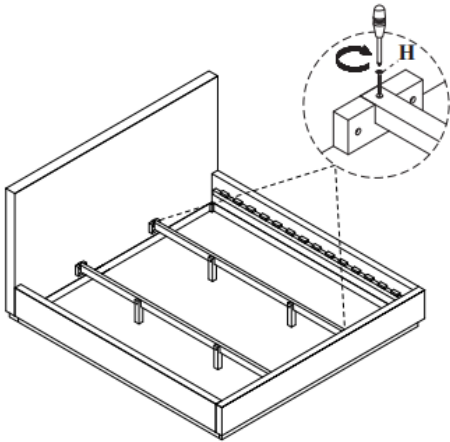
- **Step 1:** Make sure it's on a safe surface where the bedframe cannot be scratched and or damaged and close enough to the location
- **Step 2:** Locate the headboard and the two side rails, as these will be the first to be attached.
- **Step 3:** Using the Allen Key M-5 you will screw in the headboard and the side rails using (3 Bolt – M6 x 10mm) for each side rail. First place the bolt on the interior of the frame using the Allen Key following by screwing in the bolt.
 - Repeat for each sideboard and make sure it's firmly attached to the headboard.



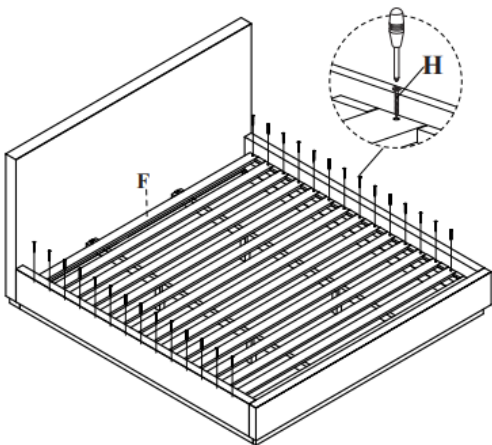
- **Step 4:** Locate the footboard as this will be assembled onto the preassembled head board and rails.
- **Step 5:** Using the Allen Key you will screw in the footboard and the side rails using ((3 Bolt – M6 x 10mm). First place the bolt on the interior of the frame using the Allen Key screw in the bolts until firmly attached.
 - Repeat for each sideboard and make sure it's firmly attached to the footboard.



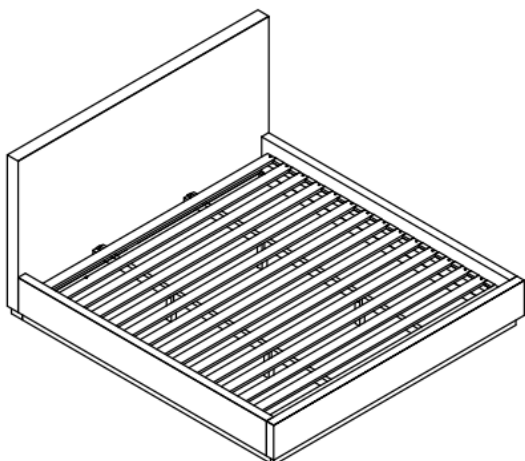
- **Step 6:** Proceed to locate the two middle rails and the four legs.
- **Step 7:** Proceed to attach the 2 legs to each middle rail using the Allen Key M4 and (2 Bolt – M3 x 30mm).
 - i. Repeat for each middle rail and make sure it's firmly attached to the legs.



- **Step 8:** Proceed to attach now the preassembled middle rails to the bedframe connecting both the headboard and the footboard to each end of the middle rail as seen.
- **Step 9:** Using the screwdriver and (1 Screw – M4 x 30mm).
 - i. Repeat for each middle rail connection to the headboard and footboard and make sure it's firmly attached to both.



- **Step 10:** Now that your bedframe is firmly on the floor, we can proceed to install the slats to your new bedframe.
- **Step 11:** Using the screwdriver and (1 Screw – M4 x 30mm).
 - i. Repeat for each slat connection to the side rails make sure it's firmly attached to both side rails.



- **Step 12:** Test that the bedframe is firmly on the ground and the bedframe does not wiggle.
- **Step 11:** Enjoy your new bedframe.

INSTALL ANTI-TIP FURNITURE SAFETY BRACKET

!!! WARNING ! PREVENT INJURY!!

1. Find wall stud to attach bracket (A) vertically. First, place a bracket (A) at the suitable position. Before attaching plastic anchor (B) into the holes, mark and drill a hole through the stud by using 1/4" drill bit. Then attach the bracket (A) to the stud with the long screw.
2. As show below, attach bracket (A) horizontally to center of furniture back (direct below top) with the short screw (E).
3. Move the furniture to its final position. After threading the strap © through the bracket as shown, tighten until snug. Do not overtighten.

