

# Product Assembly Instructions

## Item#: WINSLOW CONSOLE TABLE




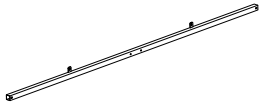


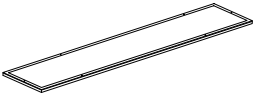
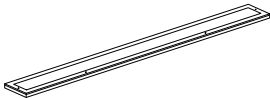

**Helpers needed to assemble: 2**


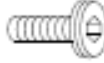

**Estimated time frame to assemble: 20 minutes**

Thank you for purchasing this quality product. Be sure to check all packing material carefully for small parts, which may come loose inside the carton during shipment. Please identify and count all parts and compare with the HARDWARE LIST below.

**Caution:** Please read instructions carefully before unpacking assembly parts. Sharp, exposed staples can cause injury, therefore, for your protection, please remove any exposed staples used in packing.

**\* Retain the Allen key for regular maintenance. We recommend tightening all screws every three months to ensure continued stability and performance. \***

#	Picture	Description	Q'TY.
A		Left Leg Frame	1
B		Right Leg Frame	1
C		Top Support Bar	2
D		Front Upper Support Bar	1
E		Stretchers	1
F		X Frame	1
G		Upper Main Table Top	1
H		Lower small table Top	1
I		T Bracket	1

#	Picture	Description	Qty
1		Ø1/4" x 16mm Countersunk Bolts	4
2		Ø1/4" x 16 mm Bolts	20
3		Ø16/ Ø6 mm Flat washer	20
4		Ø1/4" Spring Washer	20
5		Allen key	1

Before beginning assembly, place all parts on a smooth, flat surface.

### **Step 1 - Attach T Bracket.**

- Place **the stretcher (E)** with the pre-drilled holes facing upward.
- Align **the T bracket (I)** with the holes on the **stretcher (E)**.
- Secure using **Ø1/4" × 16 mm bolts (2)** with **flat washers (3)** and **spring washers (4)**,
- Tighten with the provided **Allen key (5)**.

### **Step 2 - Attach X Frame.**

- Align the **X frame (F)** with **the stretcher (E)** and **the front upper support bar (D)**.
- Secure the frame to the stretcher using **Ø1/4" × 16 mm countersunk bolt (1)**.
- Then secure it to the front upper support bar using **Ø1/4" × 16 mm countersunk bolt (1)**.
- Ensure all holes are aligned before fully tightening with the **Allen key (5)**.

### **Step 3 - Attach Left Leg Frame**

- Position the **stretcher (E)** and **front upper support bar (D)** onto the left **leg frame (A)**.
- Secure using **Ø1/4" × 16 mm bolts (2)** with **flat washers (3)** and **spring washers (4)**.
- Tighten securely with the **Allen key (5)**.
- Leave slightly loose for adjustment.

### **Step 4 - Install Top Support Bars.**

- Attach the **top support bars (C)** to the **left leg frame (A)**.
- Secure using **Ø1/4" × 16 mm bolts (2)** with **flat washers (3)** and **spring washers (4)**.
- Tighten securely once aligned.

### **Step 5 - Attach Right Leg Frame**

- Position the **right leg frame (B)** onto the **stretcher (E)**, **front upper support bar (D)** and **top support bars (C)**.
- Secure using **Ø1/4" × 16 mm bolts (2)** with **flat washers (3)** and **spring washers (4)**.
- Tighten all bolts securely with the **Allen key (5)**.

### **Step 6: Install Lower Small Table Top**

- Place **Lower Small Table Top (H)** onto the lower frame..
- Align holes with both leg frames and front upper support bar.
- Secure using **Ø1/4" × 16 mm bolts (2)** with **flat washers (3)** and **spring washers (4)**.
- Tighten all bolts securely with the **Allen key (5)**.

### **Step 7: Install Upper Main Table Top**

- Place **Upper Main Table Top (G)** onto the lower frame..
- Align holes with both leg frames and front upper support bar.
- Secure using **Ø1/4" × 16 mm bolts (2)** with **flat washers (3)** and **spring washers (4)**.
- Tighten all bolts securely with the **Allen key (5)**.

### **Final Alignment & Tightening**

- Adjust the upper tabletop so it sits evenly.
- Fully tighten all bolts using the Allen key.
- Ensure table is level and stable.

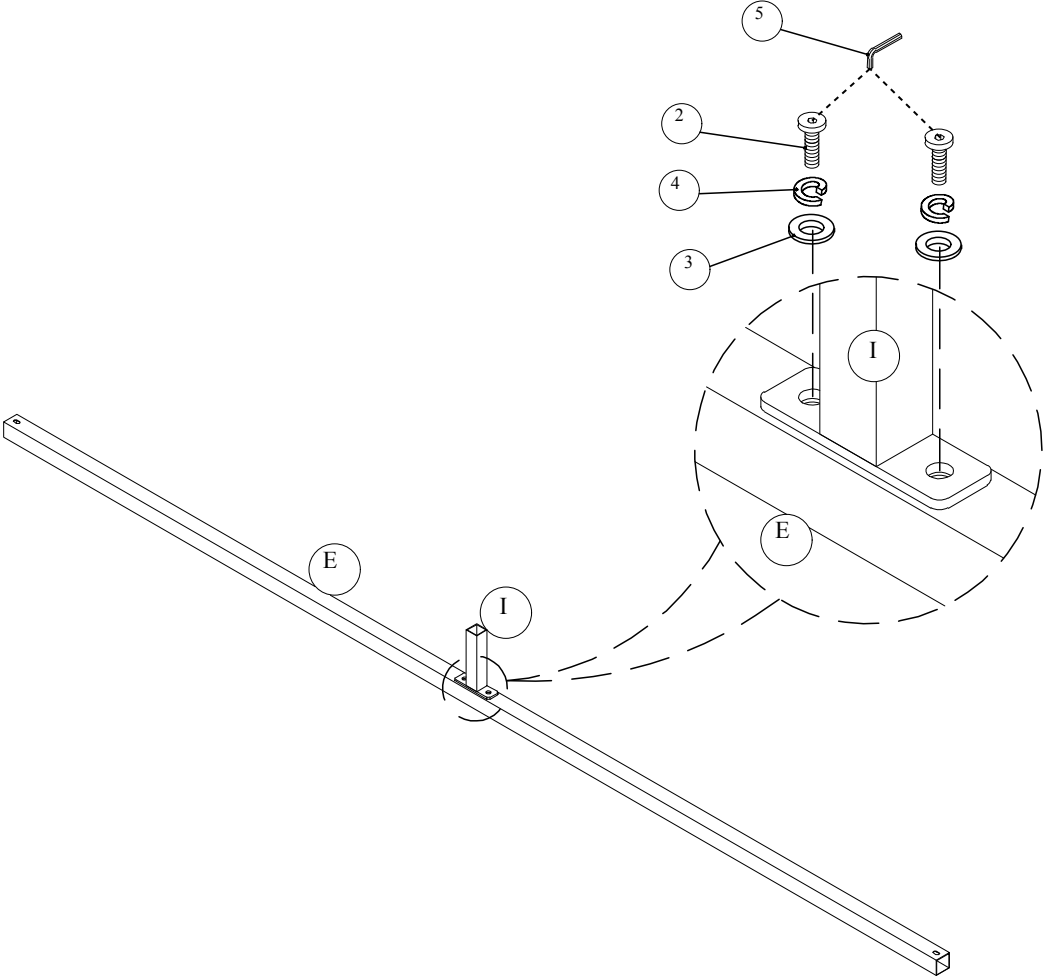
### **Maintenance Recommendation**

Retighten all bolts every 3 months to maintain stability.

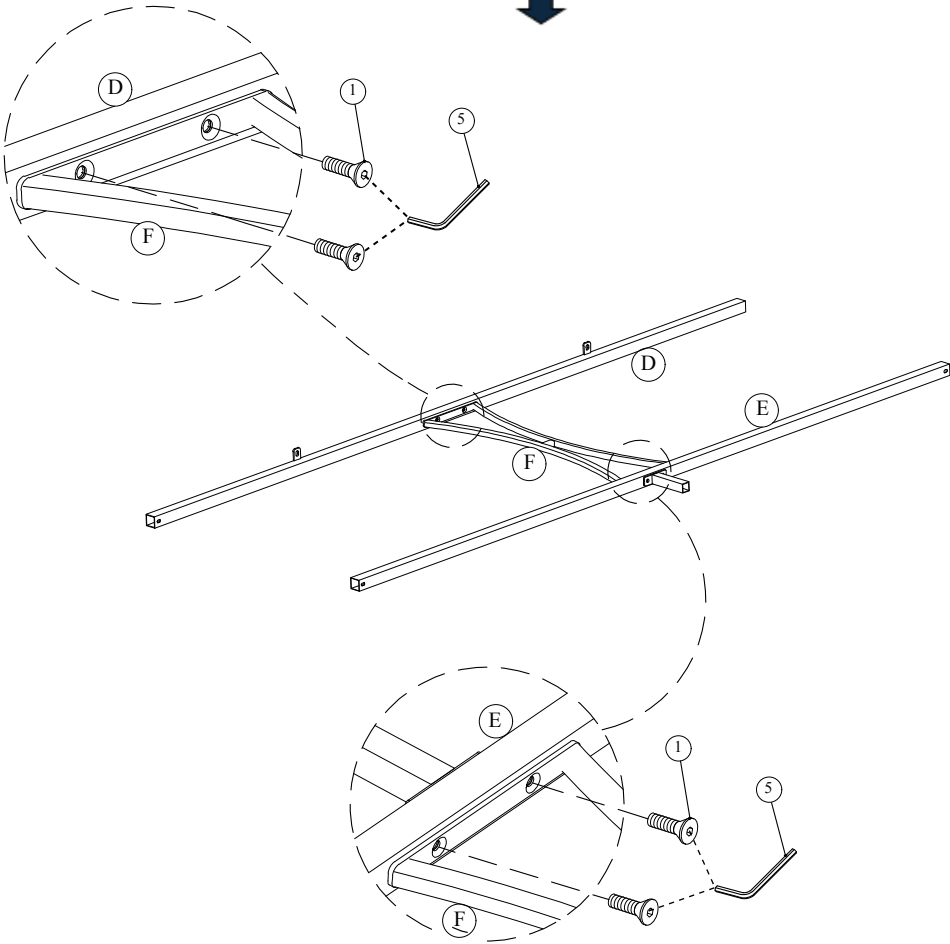
### **Assembly Complete!**

Enjoy your new Winslow Console Table.

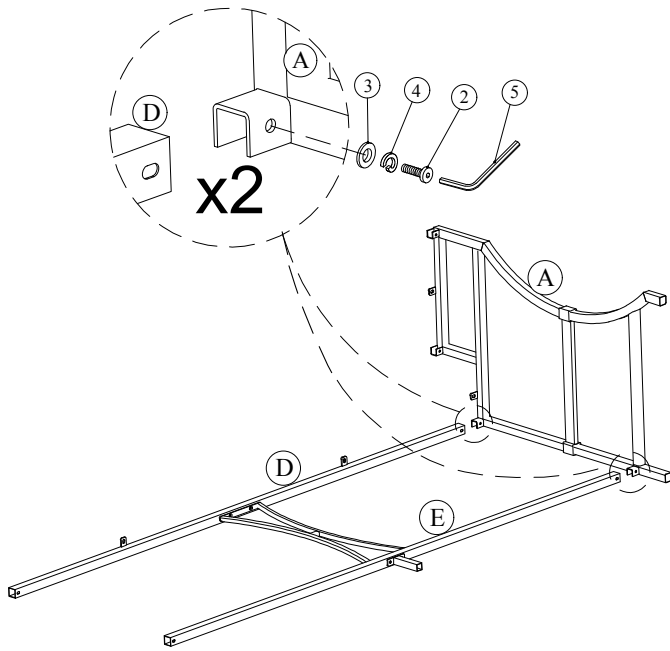
**STEP 1**



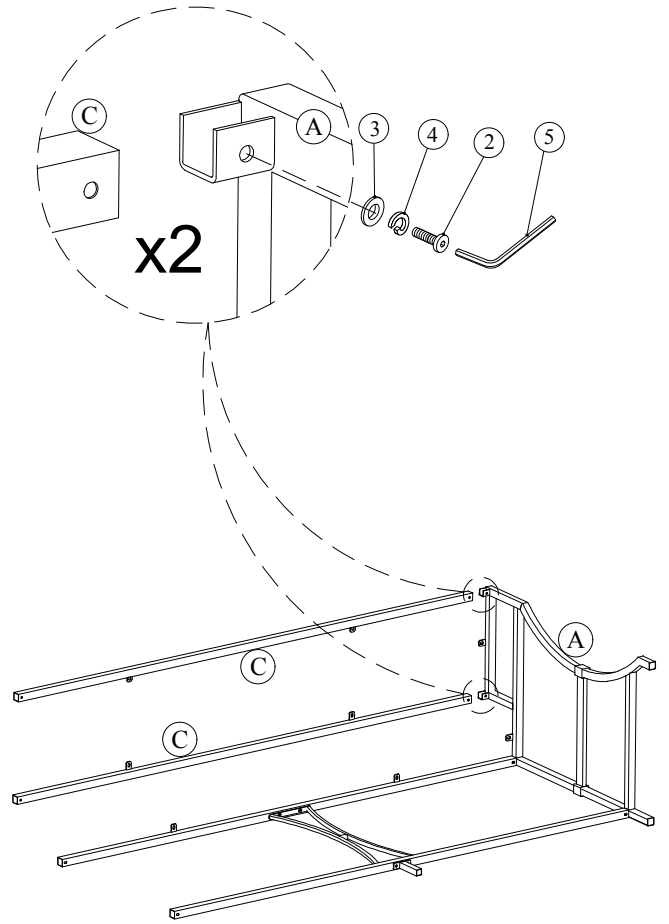
**STEP 2**



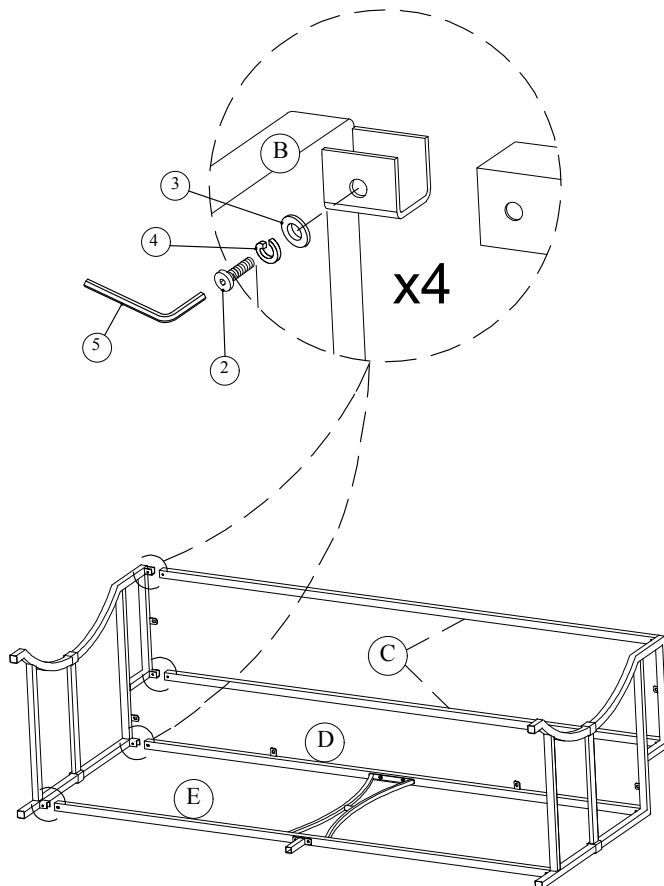
### STEP 3



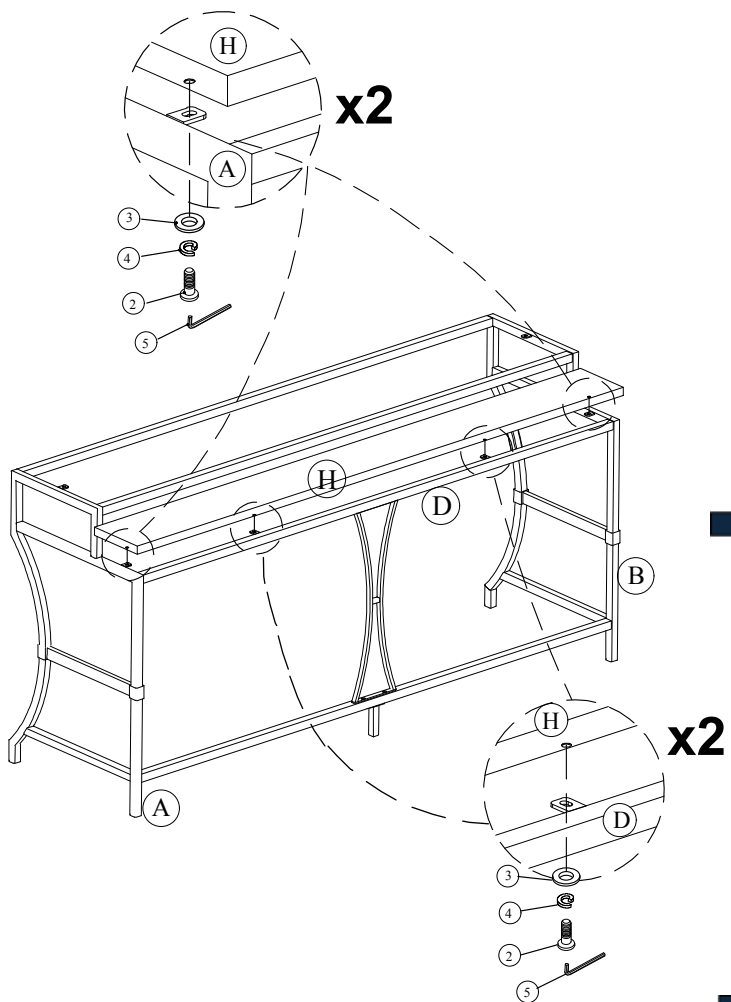
### STEP 4



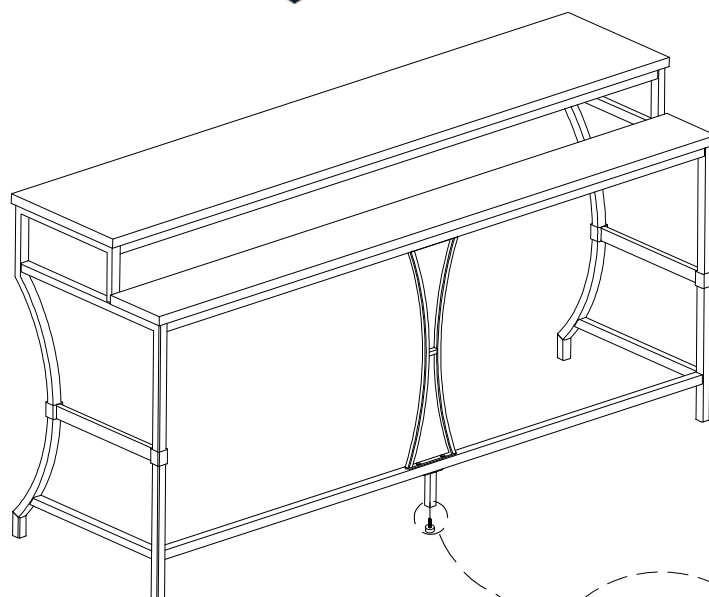
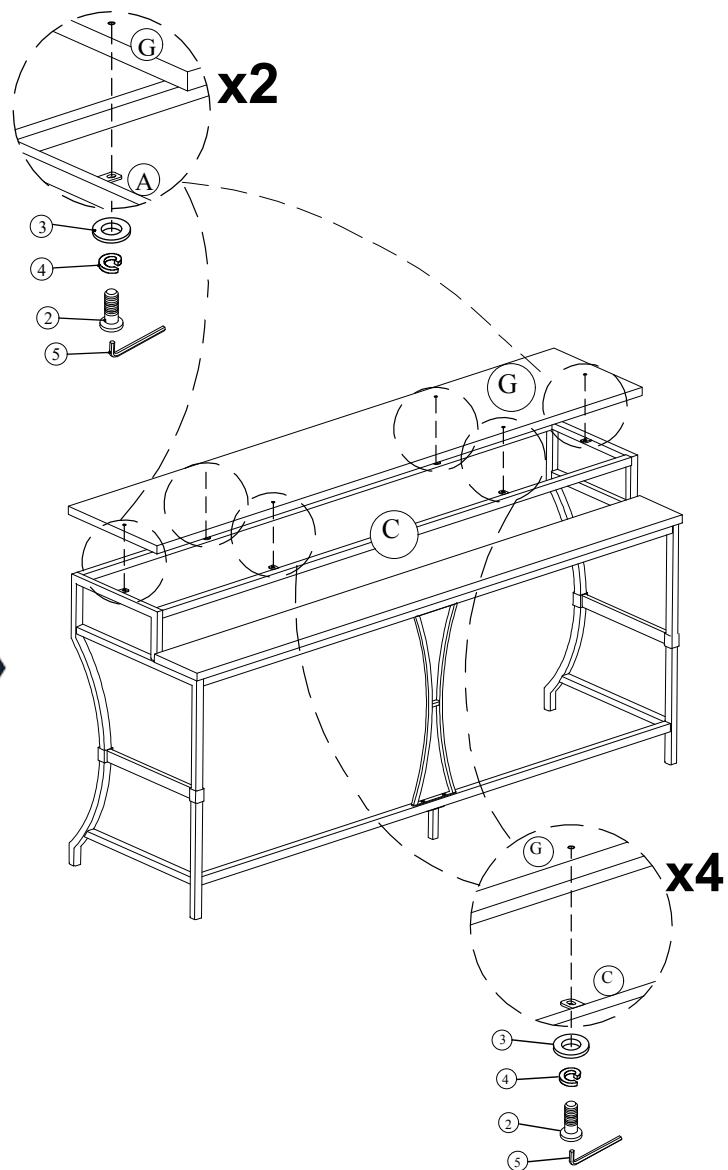
### STEP 5



## STEP 6



## STEP 7



### Adjustable Leveler

Adjust it until the table stables and level on the floor.