



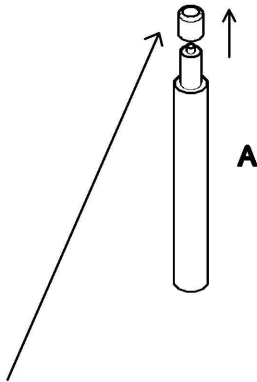
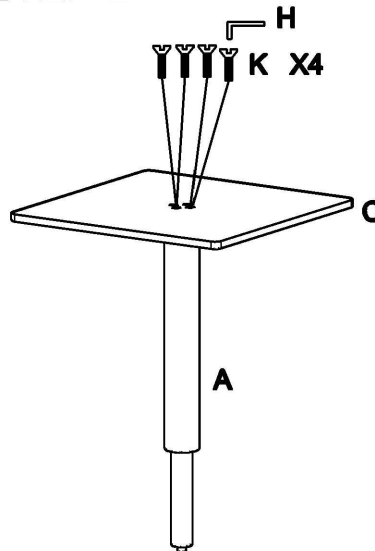
 F; Bolt M6*35mm x4  G; Washer x4  H; Allen wrench x2  J; Bolt M6*18mm x4  K; Bolt M6*25mm x4
A; gas spring x1	B; Footrest x1	C; Bottom plate x1	D; seat x1	E; pedal x1	

### STEP 1

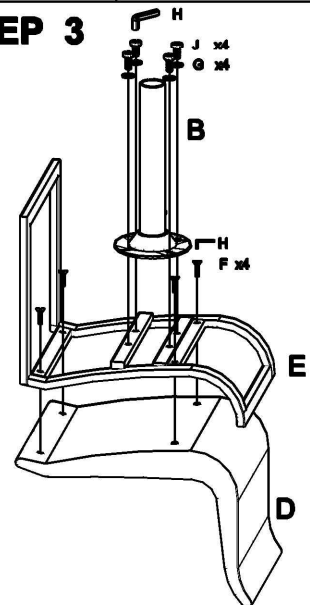


**IMPORTANT:**  
remove black  
cap before assembling

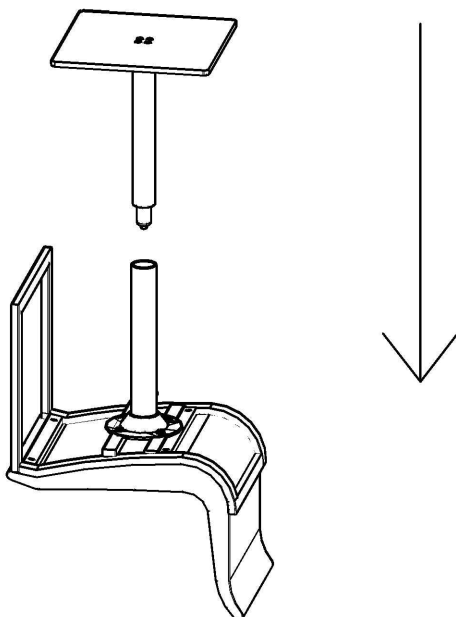
### STEP 2



### STEP 3



### STEP 4



### STEP 5

