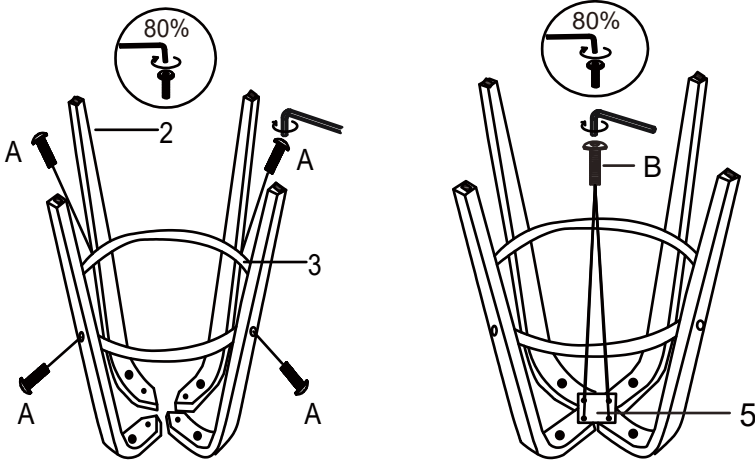






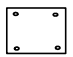






Product Assembly Instructions

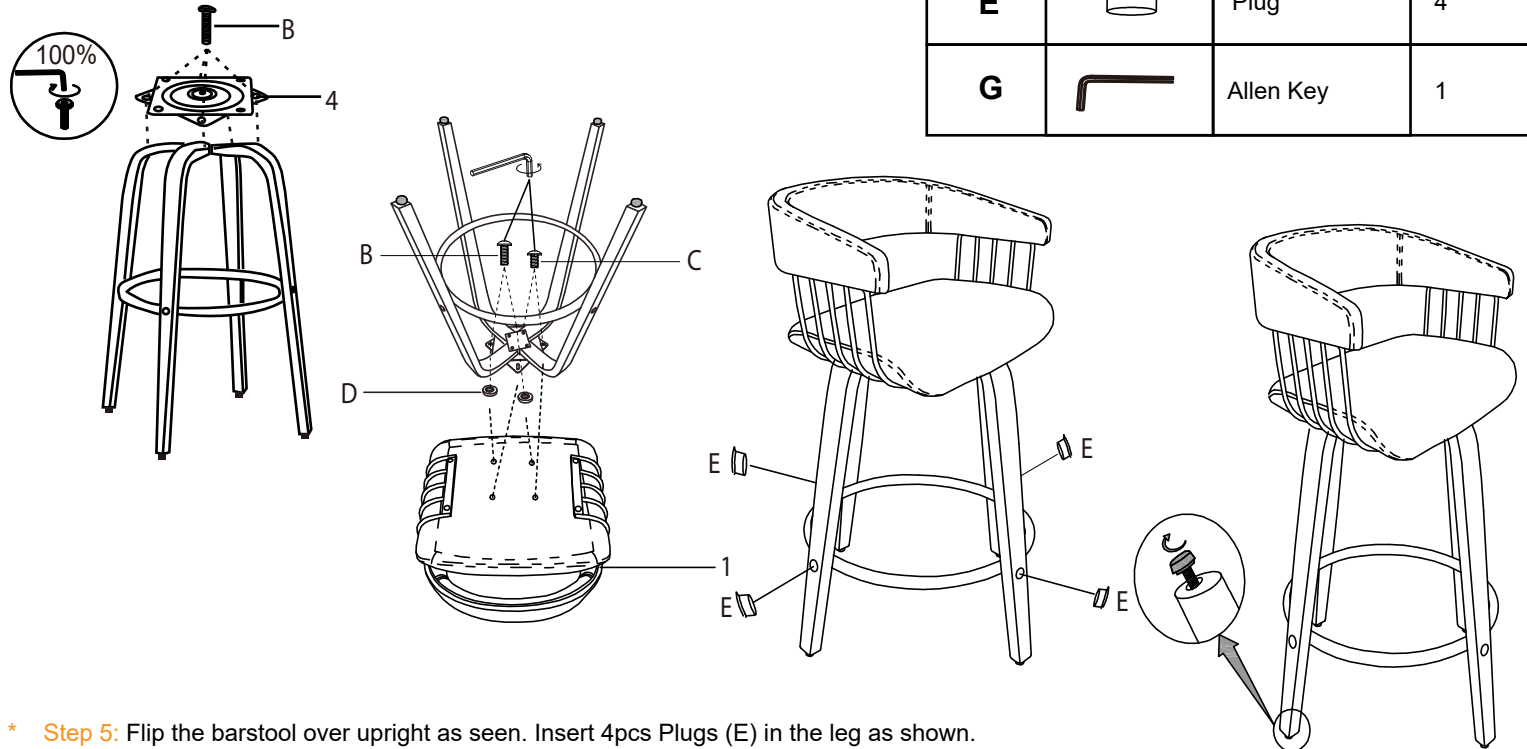
Item#: Topanga Swivel Chair

Helpers needed to assemble: 2
 Estimate time frame to assemble: 20 minutes



- * **Step 1:** Loosely tighten the 4pcs Leg (2) to the Footrest (3) with Bolts (A M6x25) . *
- * **Step 2:** Use 4pcs bolt (B M6x20) to tighten the Plate (5) to Leg (2) with Allen Key.
- * **Step 3:** Turn the barstool legs rightside up and use 4pcs bolt (B M6x20) to tighten the Swivel Plate (4) with Allen Key. Make sure the plate aligns with the bolt holes on barstool legs base. Then make sure all bolts are fully tightened on previous steps.
- * **Step 4:** Once the swivel is secure, turn the seat upside down and add the seat under the barstool to connect the seat to the legs. Place 2pcs Washers (D) in the front of the seat. Use 2pcs bolts (B M6x20) and 2pcs bolt (C M6x16) to tighten the swivel plate and seat. Make sure the plate aligns with the washers and bolt holes on the seat.

#	Picture	Description	Quantity
1		Seat	1
2		Leg	4
3		Footrest	1
4		Swivel Plate	1
5		Plate	1
A		Bolts(M6x25)	4+1EXT
B		Bolts(M6x20)	10+1EXT
C		Bolts(M6x16)	2+1EXT
D		Washer	2
E		Plug	4
G		Allen Key	1



- * **Step 5:** Flip the barstool over upright as seen. Insert 4pcs Plugs (E) in the leg as shown. Adjust the foot nails if legs are uneven.
- * **Step 6:** Test the barstool is firmly on the ground and the seat does not wiggle.
- * **Step 7:** Sit and enjoy your new barstool.

* Keep the Allen Key and Tighten all screws each 3 months for safety concern!