

# Product Assembly Instructions

## Item#: SANTORINI CONSOLE TABLE










**Helpers needed to assemble: 2**


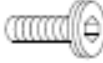


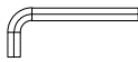
**Estimated time frame to assemble: 20 minutes**

Thank you for purchasing this quality product. Be sure to check all packing material carefully for small parts, which may come loose inside the carton during shipment. Please identify and count all parts and compare with the HARDWARE LIST below.

**Caution:** Please read instructions carefully before unpacking assembly parts. Sharp, exposed staples can cause injury, therefore, for your protection, please remove any exposed staples used in packing.

\* Retain the Allen key for regular maintenance. We recommend tightening all screws every three months to ensure continued stability and performance. \*

#	Picture	Description	Q'TY.
A		Left Leg Frame	1
B		Right Leg Frame	1
C		Top Support Bar	2
D		Front Upper Support Bar	1
E		Stretcher	1
F		V Frame	1
G		Upper Main Table Top	1
H		Lower Small Table Top	1
I		T Bracket	1

#	Picture	Description	Qty
1		Ø1/4" x 16mm Countersunk bolts	3
2		Ø1/4" x 16 mm Bolts	20
3		Ø16/ Ø6 mm Flat washer	20
4		Ø1/4" Spring Washer	20
5		Allen key	1

Before beginning assembly, place all parts on a smooth, flat surface.

### **Step 1 — Attach T Bracket to Stretcher**

1. Place **Stretcher (E)** with the drilled holes facing upward.
2. Align **T Bracket (I)** with the center holes on the stretcher.
3. Secure using:
  - **Bolts (2)**
  - **Spring washers (4)**
  - **Flat washers (3)**
4. Tighten using the **Allen key (5)**.

### **Step 2 — Install V Frame**

1. Align **V Frame (F)** with:
  - **Stretcher (E)**
  - **Front Upper Support Bar (D)**
2. Secure to stretcher using:
  - **2 Bolts (1)**
3. Secure to support bar using:
  - **1 Bolt (1)**
4. Ensure alignment before tightening.

### **Step 3 — Attach Assembly to Left Leg Frame**

1. Position the assembled stretcher/front frame onto **Left Leg Frame (A)**.
2. Secure using:
  - **Bolts (2)**
  - **Spring washers (4)**
  - **Flat washers (3)**
3. Leave slightly loose for adjustment.

### **Step 4 — Install Top Support Bars (Left Side)**

1. Attach **Top Support Bars (C)** to the upper section of **Left Leg Frame (A)**.
2. Secure using:
  - **Bolts (2)**
  - **Spring washers (4)**
  - **Flat washers (3)**
3. Do not fully tighten yet.

## Step 5 — Attach Right Leg Frame

1. Position **Right Leg Frame (B)** onto:
  - **Stretcher (E)**
  - **Front Upper Support Bar (D)**
  - **Top Support Bars (C)**
2. Secure using:
  - **Bolts (2)**
  - **Spring washers (4)**
  - **Flat washers (3)**

Confirm frame alignment before fully tighten.

## Step 6 — Install Lower Small Table Top

1. Place **Lower Small Table Top (H)** onto the lower frame.
2. Align holes with both leg frames and front upper support bar.  
Secure using:
  - **Bolts (2)**
  - **Spring washers (4)**
  - **Flat washers (3)**
3. Tighten securely.

## Step 7 — Install Upper Main Table Top

1. Place **Upper Main Table Top (G)** onto the top frame.
2. Align with leg frames and top support bars.
3. Secure using:
  - **Bolts (2)**
  - **Spring washers (4)**
  - **Flat washers (3)**
4. Tighten lightly first.

## Final Alignment & Tightening

1. Adjust the upper tabletop so it sits evenly.
2. Fully tighten all bolts using the Allen key.
3. Ensure table is level and stable.

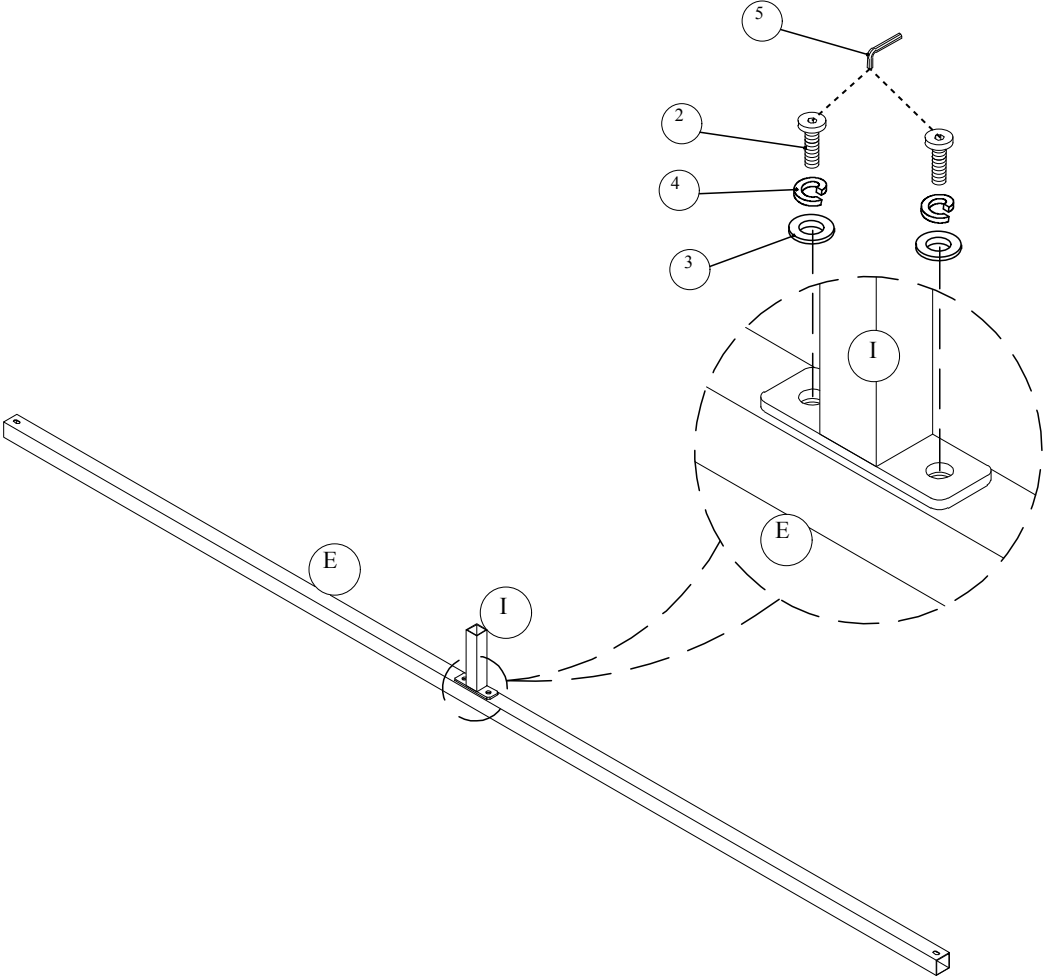
## Maintenance Recommendation

- Retighten all bolts every **3 months** to maintain stability.

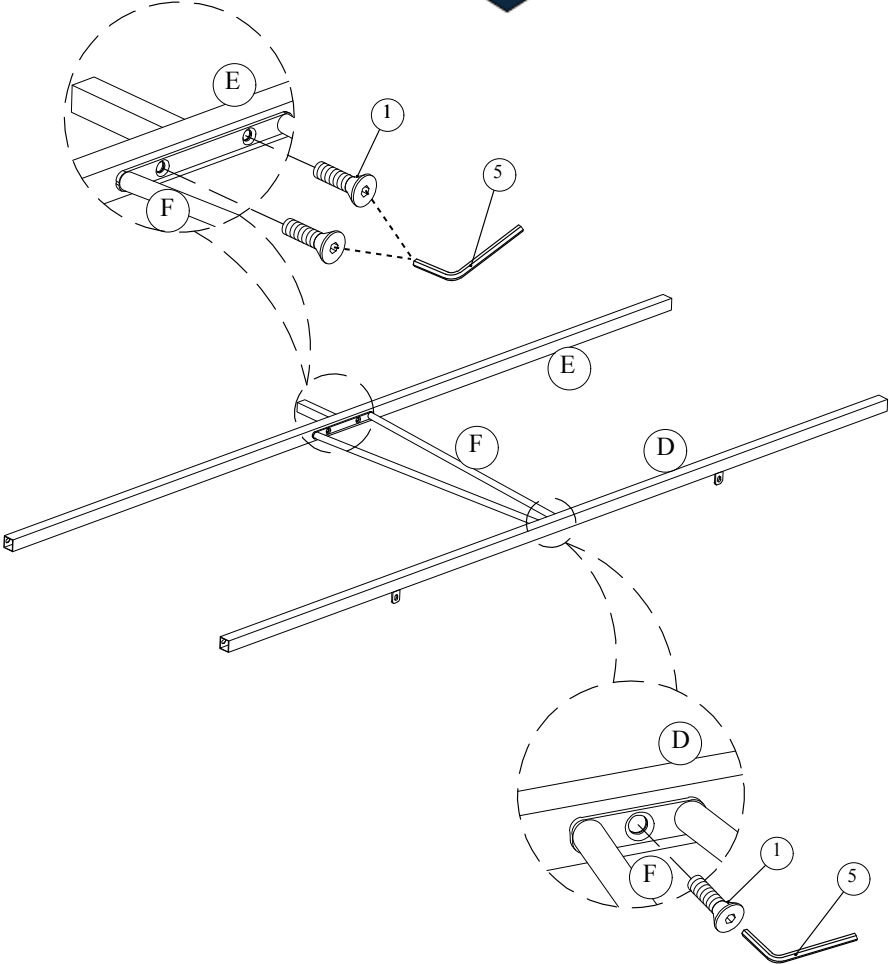
### **Assembly Complete!**

Enjoy your new **Santorini Console Table**.

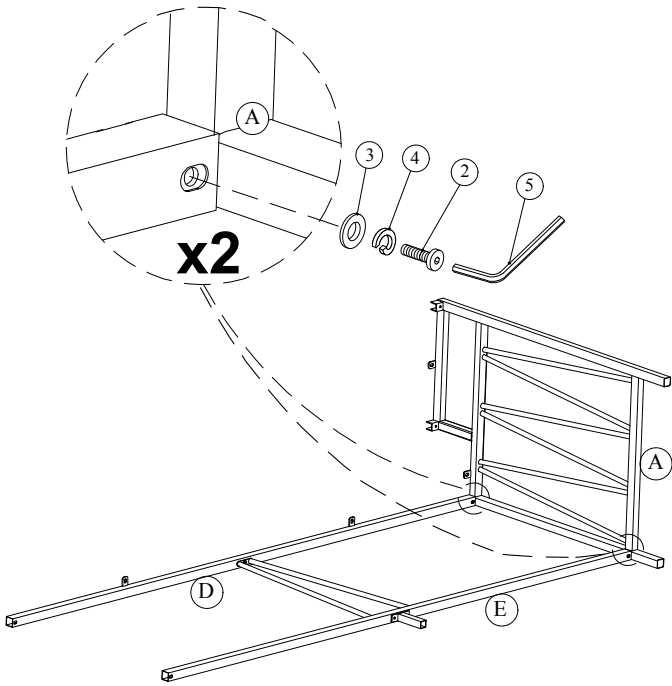
**STEP 1**



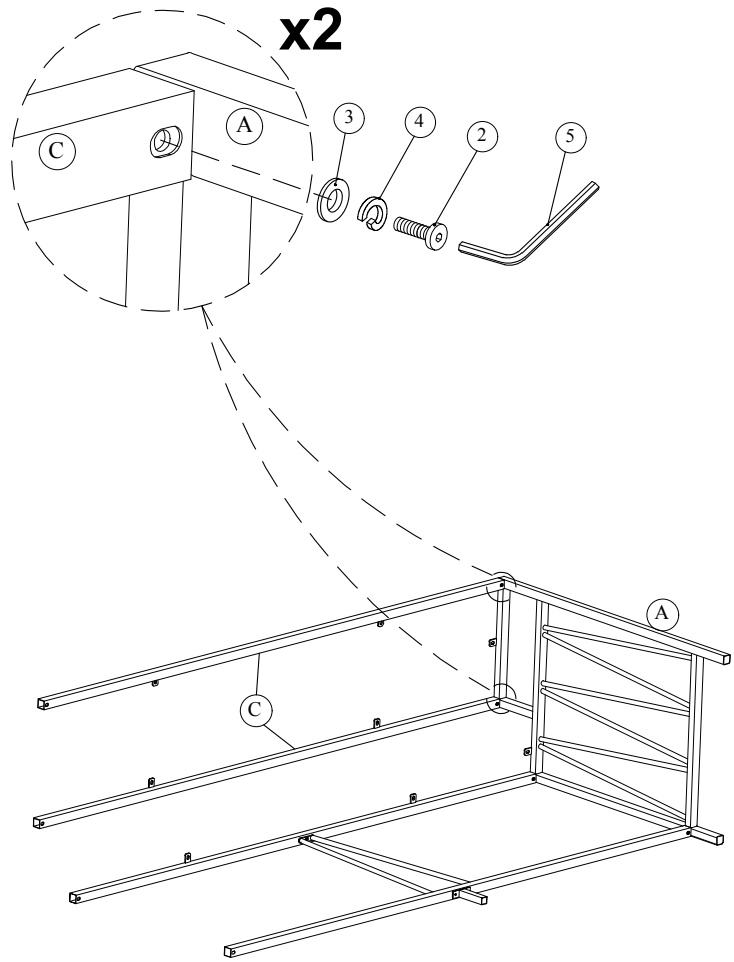
**STEP 2**



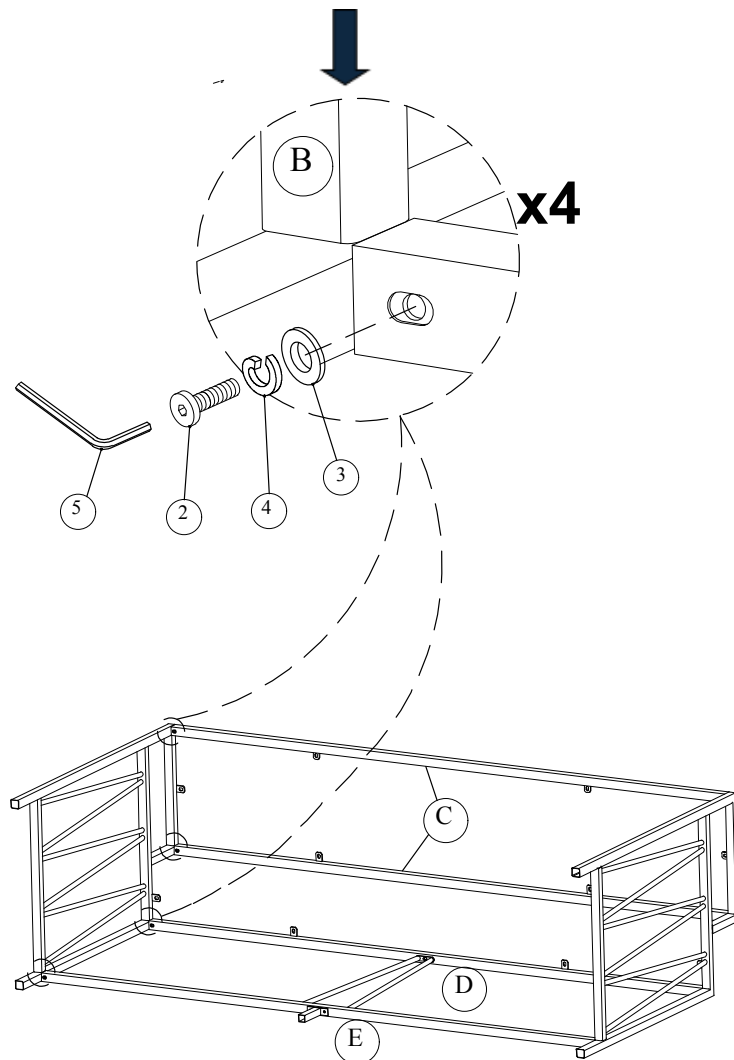
### STEP 3



### STEP 4

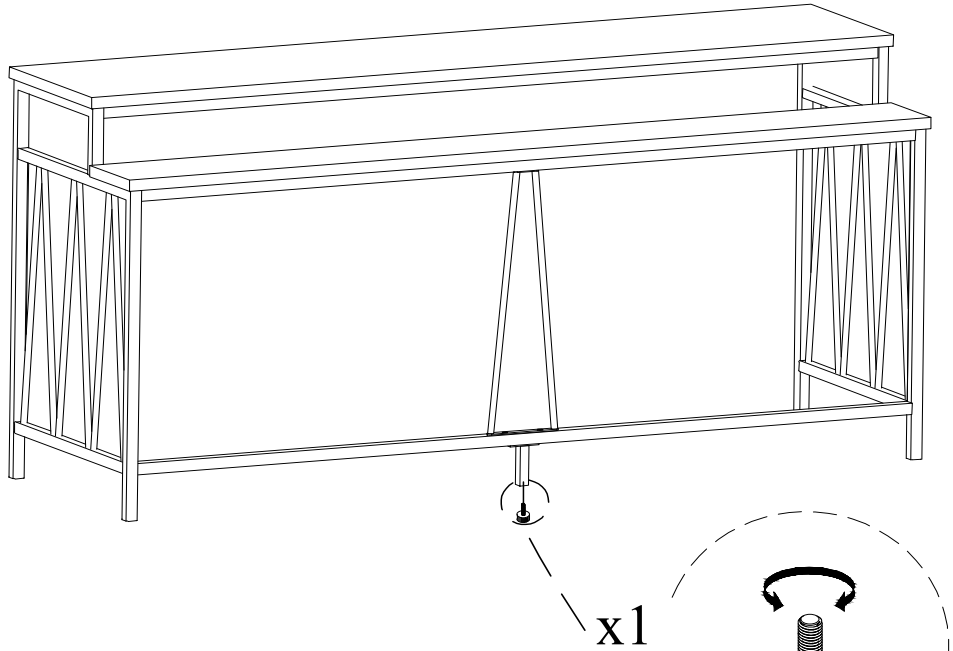
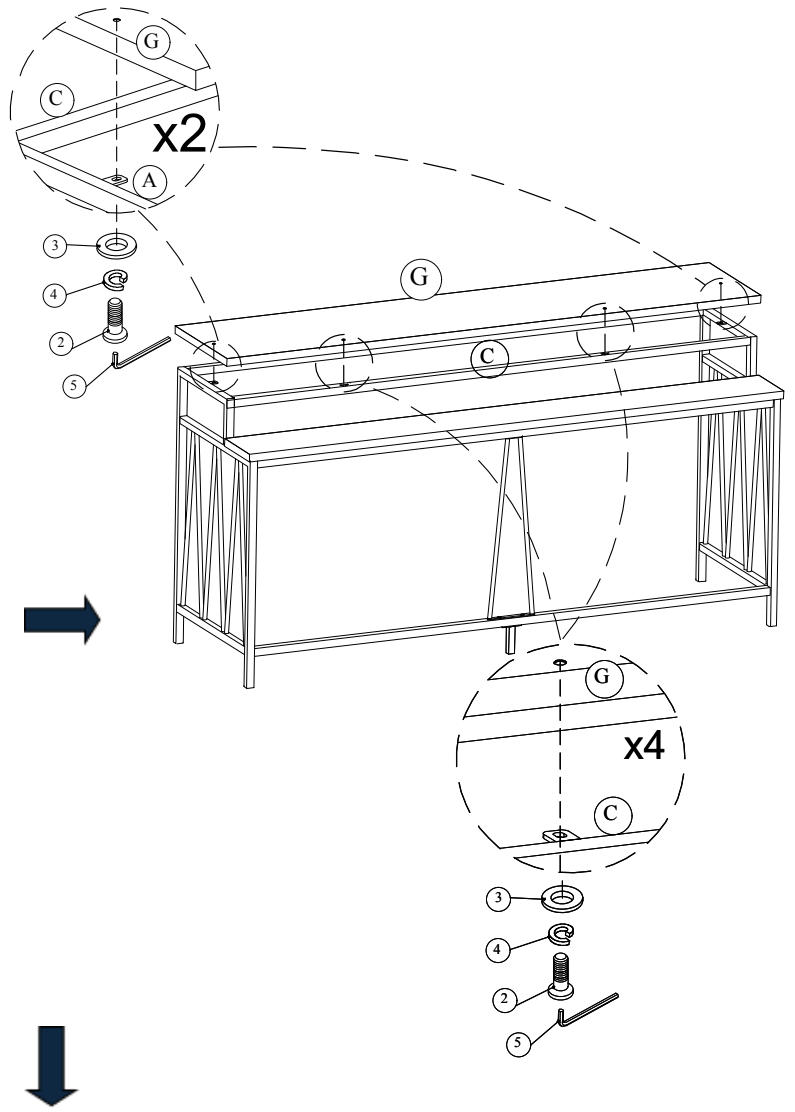
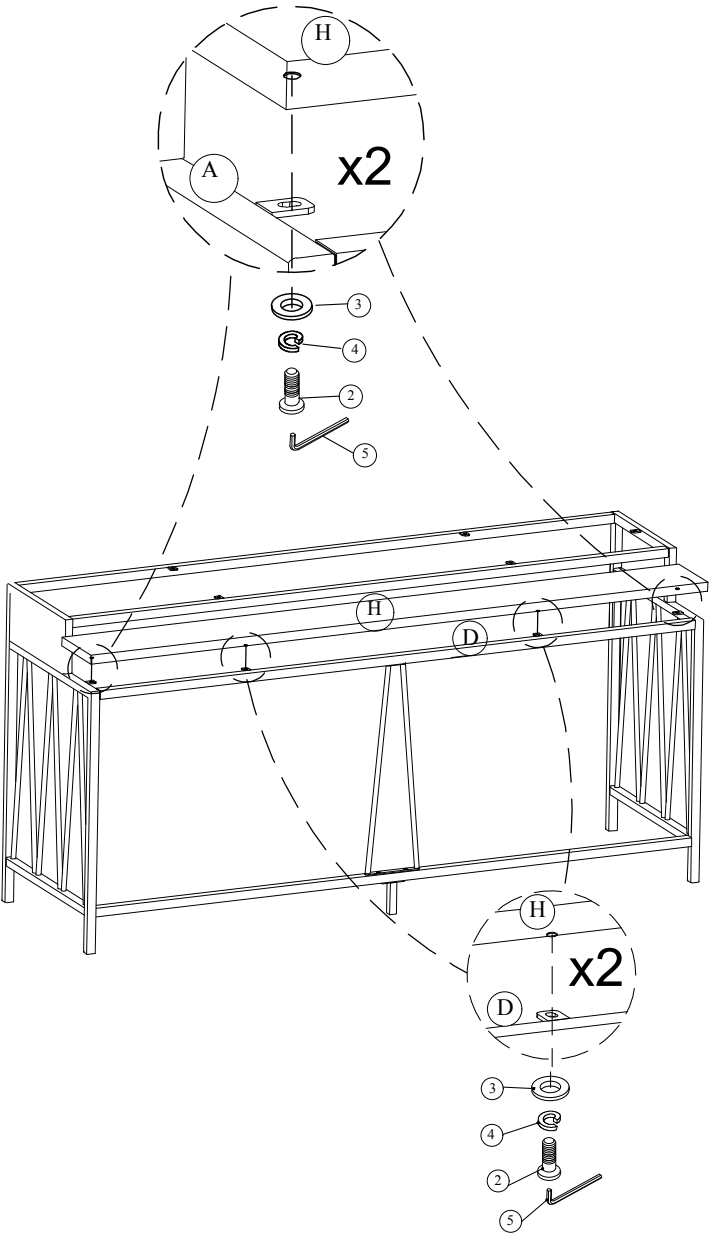


### STEP 5



# STEP 6

# STEP 7



## Adjustable Leveler

Adjust it until the table stables and level on the floor.