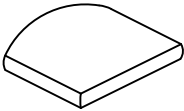
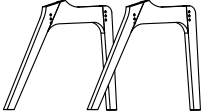

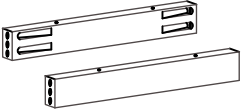








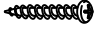

Product Assembly Instructions

LCPLSIGRWA/LCPLSIGRBL

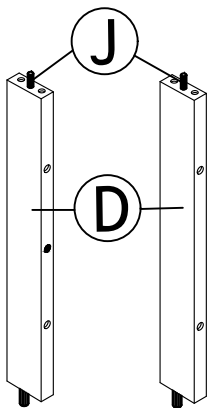
PART LIST

 A : CUSHION SEAT x1	 B : LEGS (R & L) x2	 C : BACK REST VENEER X1
 D : APRON (FRONT & BACK) x2		

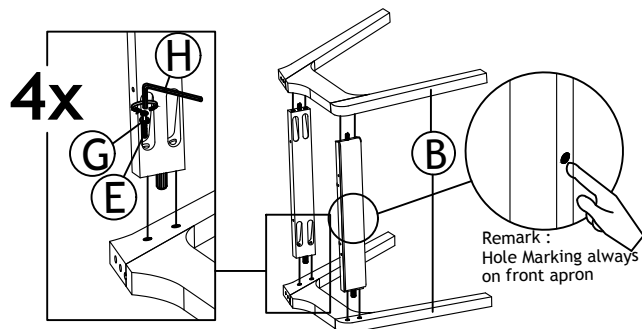
HARDWARE LIST

 E : JCBC SCREW M6 x 50MM x8	 F : JCBC SCREW M6 x 100MM x4	 G : SPRING WASHER 1/4" x12
 H : ALLEN KEY M4 (BALL SHAPE) x1	 I : PAN HEAD WOOD SCREW M5 X 32MM x4	 J : WOOD DOWEL DIA 8 x 35MM x6

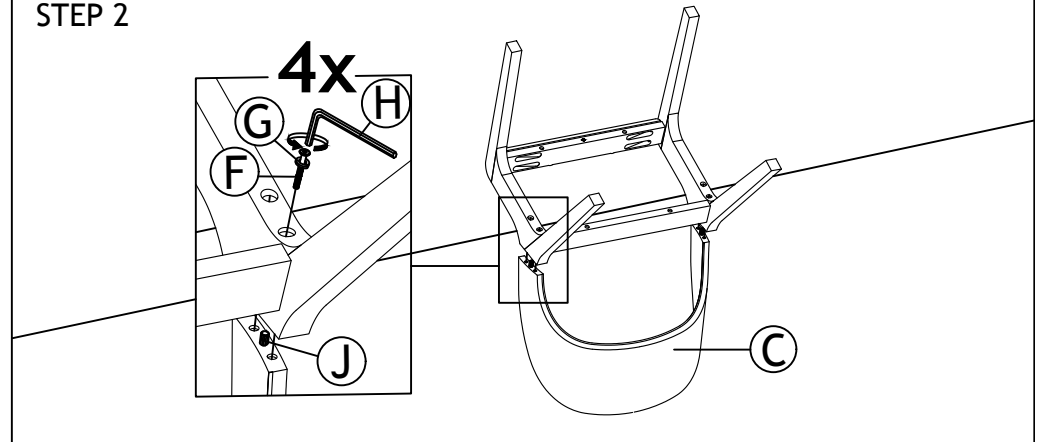
STEP 1



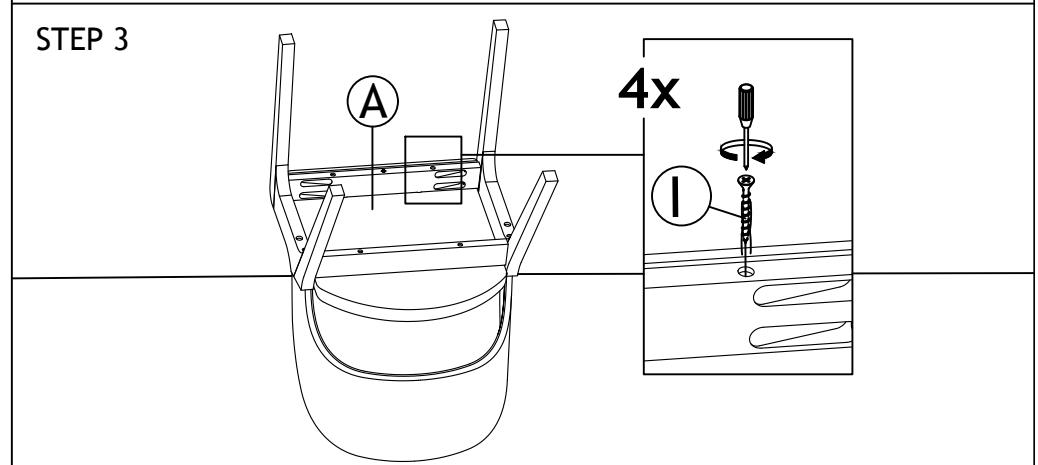
STEP 1.1



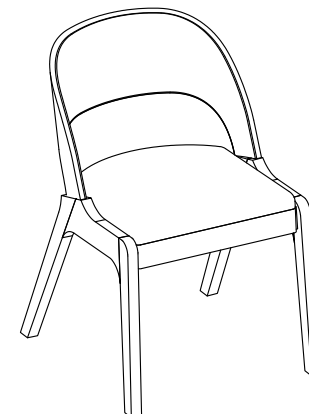
STEP 2



STEP 3



STEP 4



ASSEMBLY COMPLETED