
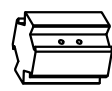


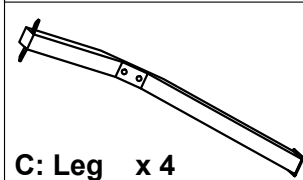




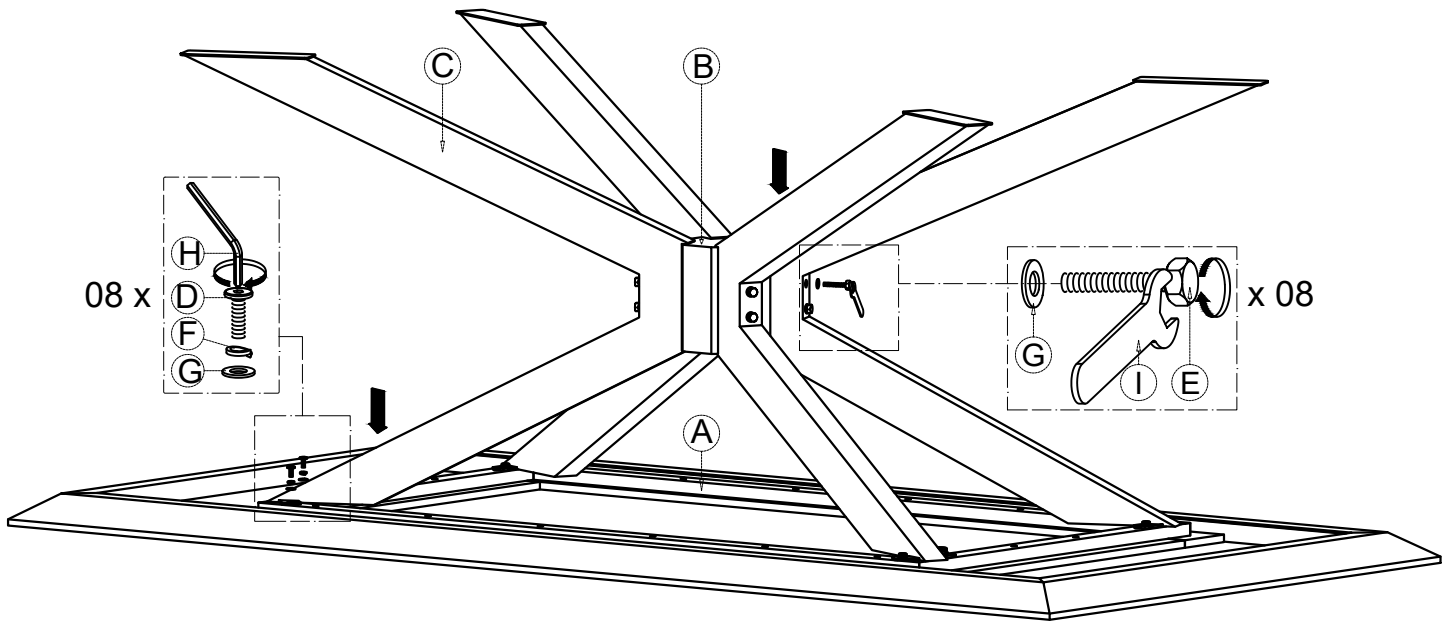


# Product Assembly Instructions

## LCPIDIAC

 <p><b>A: Top x 1</b></p>	 <p><b>B: Center block x 1</b></p>	 <p><b>D: Hex Bolts M6*15mm x 8</b></p>
		 <p><b>E: Bolts M6*100mm x 8</b></p>
	 <p><b>C: Leg x 4</b></p>	 <p><b>F: Lock Washer M8 x 8</b></p>
		 <p><b>G: Plate Washer M8*Ø18mm x 16</b></p>
		 <p><b>H: Allen wrench K4 x 1</b></p>
		 <p><b>I: Wrench 13 x 1</b></p>

### STEP 1



### STEP 2

