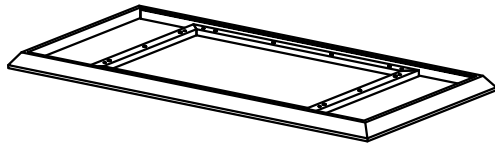
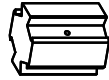


Product Assembly Instructions

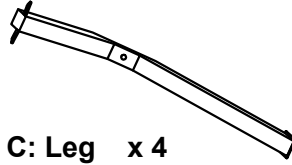
LCPICOAC



A: Top x 1



B: Center block x 1



C: Leg x 4



D: Hex Bolts M6*15mm x 8



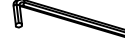
E: Bolts M6*80mm x 4



F: Lock Washer M8 x 8



G: Plate Washer M8*Ø18mm x 12

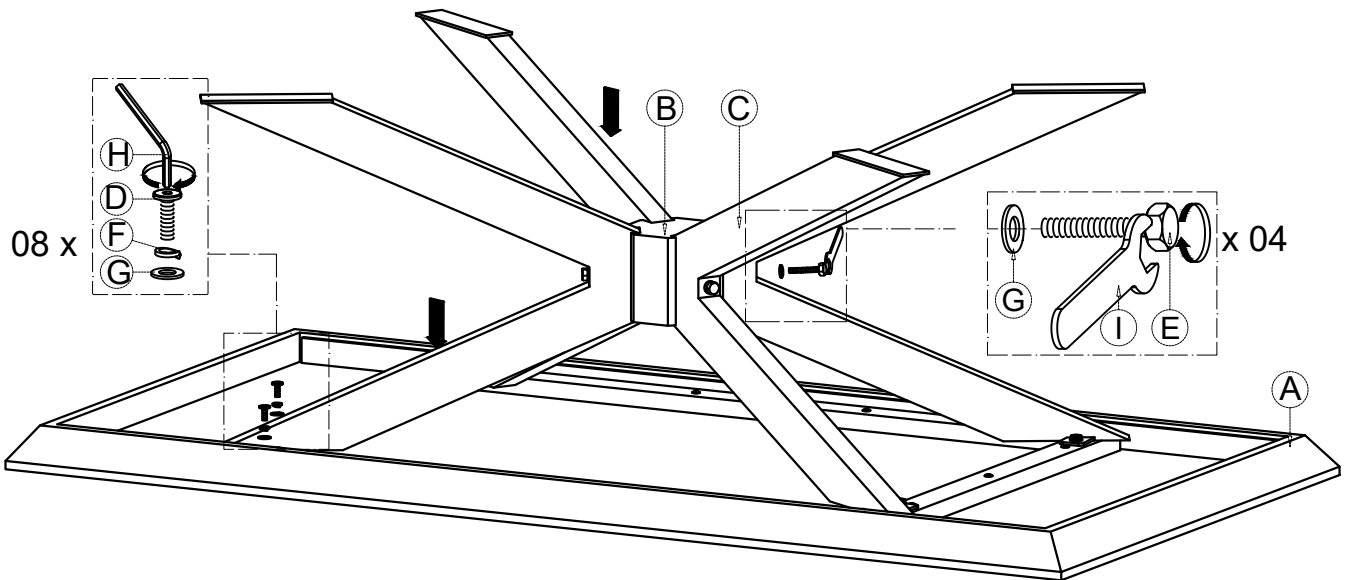


H: Allen wrench K4 x 1



I: Wrench 13 x 1

STEP 1



STEP 2

