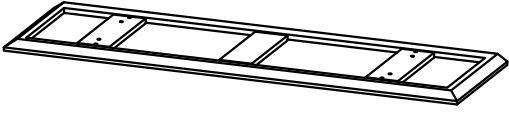


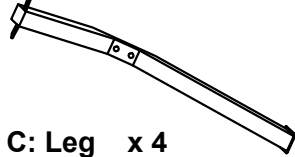





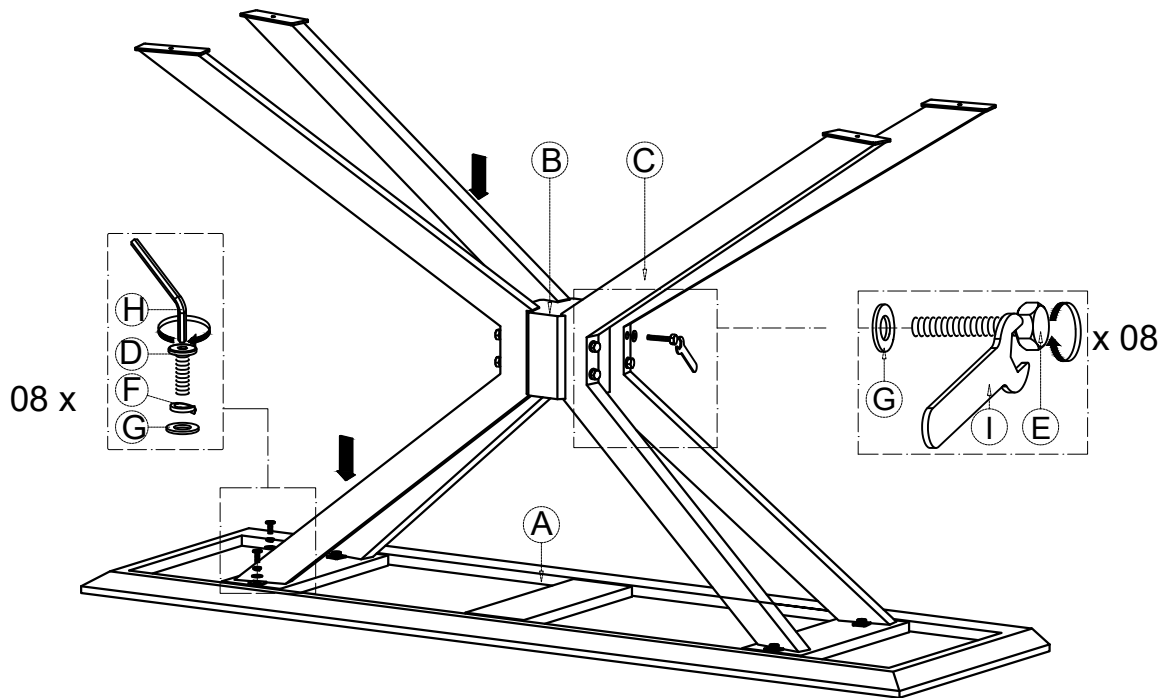


Product Assembly Instructions

LCPICNAC

 A: Top x 1	 B: Center block x 1	 D: Hex Bolts M6*15mm x 8
	 C: Leg x 4	 E: Bolts M6*70mm x 8
		 F: Lock Washer M8 x 8
		 G: Plate Washer M8*Ø18mm x 16
		 H: Allen wrench K4 x 1
		 I: Wrench 13 x 1

STEP 1



STEP 2

