

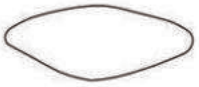








Product Assembly Instructions

MLM-620092

<p>A: Back x 1</p> 	<p>E: Base x 1</p> 
<p>B: Seat x 1</p> 	<p>F: Bolt x 4</p> <p>M6*16mm</p> 
<p>C: Gas lift x 1</p> 	<p>J: Bolt x 4</p> <p>M6*30mm</p> 
<p>D: Footrest x1</p> 	<p>H: Ring x 1</p>  <p>I: Washer x 4</p>  <p>G: Wrench x 1</p> 