
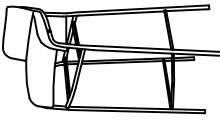
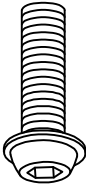
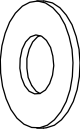
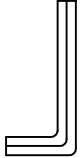
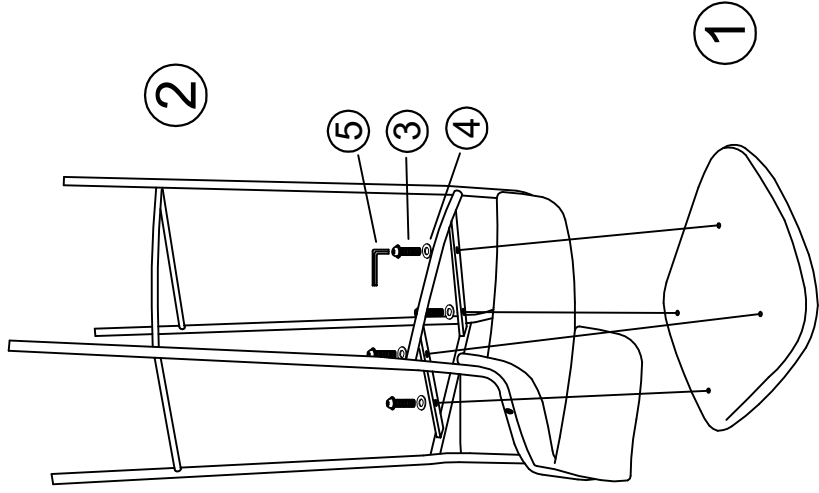


|       |                 | Instaling   |       | Accessories   |   |       | Tool  |           |  |          |
|-------|-----------------|---|-------|---|---|-------|---|-----------|--|----------|
| ITEM: | ①               |  | ②     |  | ③   | SCREW | ④   | GASKET    | ⑤  | ALLENKEY |
|       | OSHEN-0116090-C | SEAT  | FRAME |   |  |       |  |           |  |          |
| Pcs   | 1               | 1   | 1     |   | Size  | M6*20 | Size  | φ 16*1*φ7 | Size   | φ5       |
|       |                 |   |       |   |   | 4     |   | 4         |  | 1        |

Step:1



Step:2

