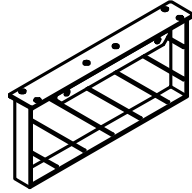
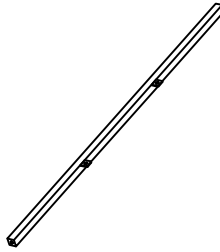


A: Chest x1



B: Legs x2



C: Metal bar x2



D: Bolt M6*20mm x16

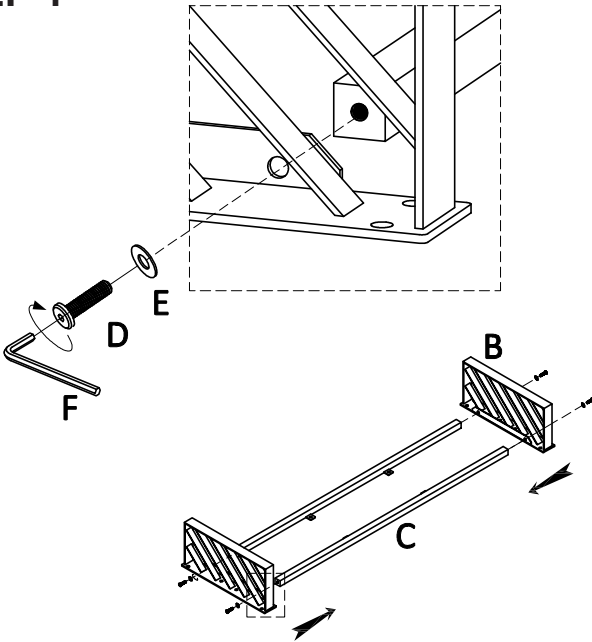


E: Washer x16

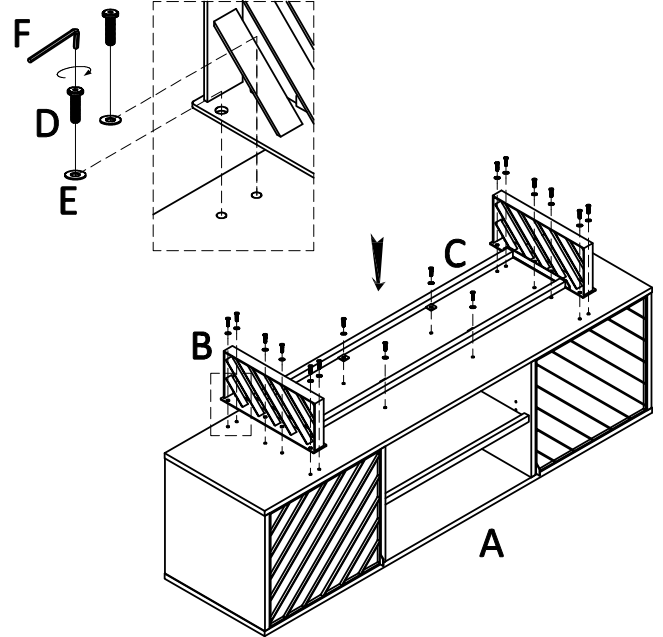


F: Allen wrench x1

STEP 1



STEP 2



STEP 3

