
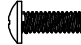
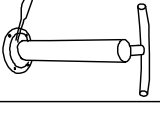

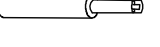


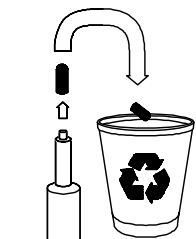


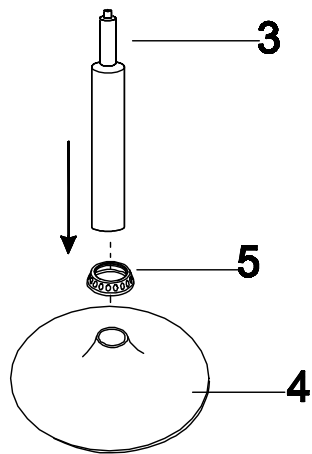
Assembly Instruction

1*1		A*4+1EXT	 M6*16MM
2*1		G*1	 M6
3*1			
4*1			
5*1			

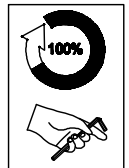
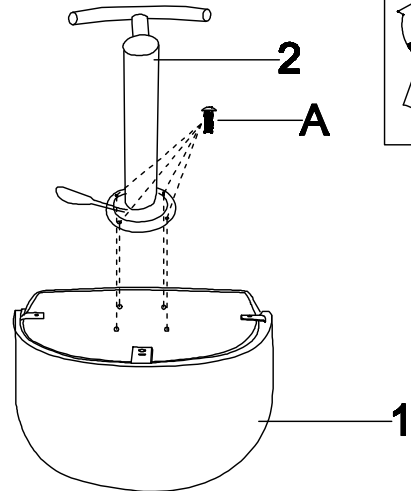
STEP 1



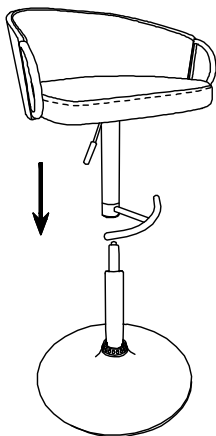
REMOVE
BLACK CAP
AND THROW
AWAY



STEP 2



STEP 3



STEP 4

