
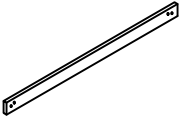
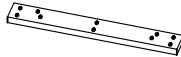
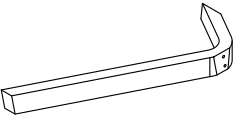






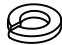


# Product Assembly Instructions

## LCLRDIWA

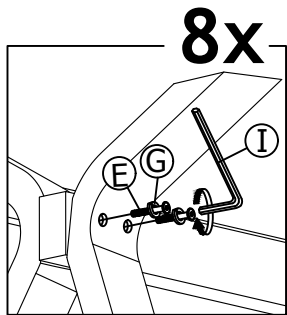
### PART LIST

 <p>A : TABLE TOP x1</p>	 <p>B : TABLE LEG SUPPORT x1</p>	 <p>C : CENTER SUPPORT x2</p>
 <p>D : TABLE LEG (L&amp;R) x4</p>		

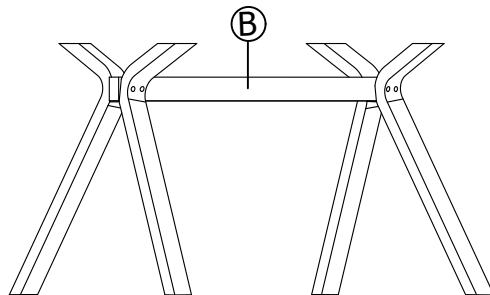
### HARDWARE LIST

 <p>E : JCBC SCREW M6 X 40MM (BLK) x8</p>	 <p>F : JCBC SCREW M6 X 30MM x16</p>	 <p>G : SPRING WASHER 1/4" (BLK) x8</p>
 <p>H : SPRING WASHER 1/4" x16</p>	 <p>I : ALLEN KEY M4 ( BALL SHAPE )LONG x1</p>	

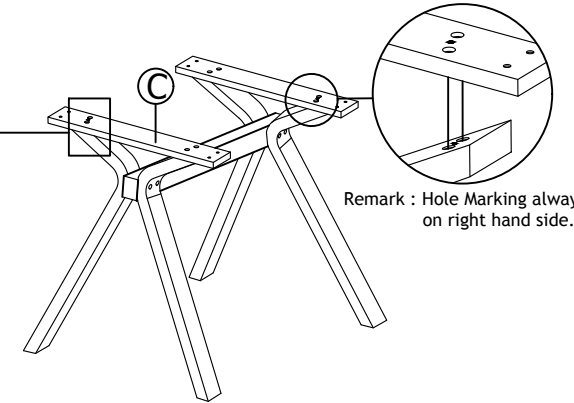
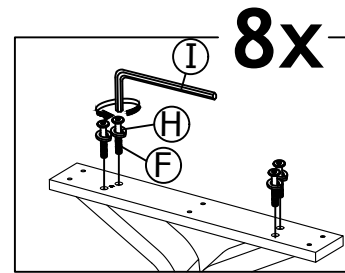
### STEP 1



Remark : Do Not Fully Tighten

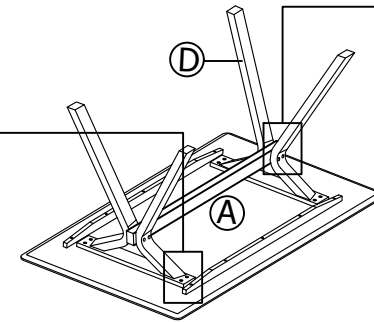
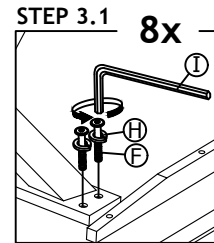


### STEP 2

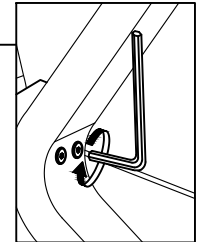


Remark : Hole Marking always on right hand side.

### STEP 3

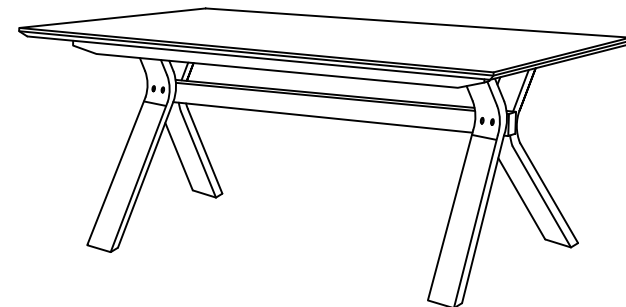


### STEP 3.2



Remark : Remember Tighten Fully

### STEP 4



COMPLETED ASSEMBLY