



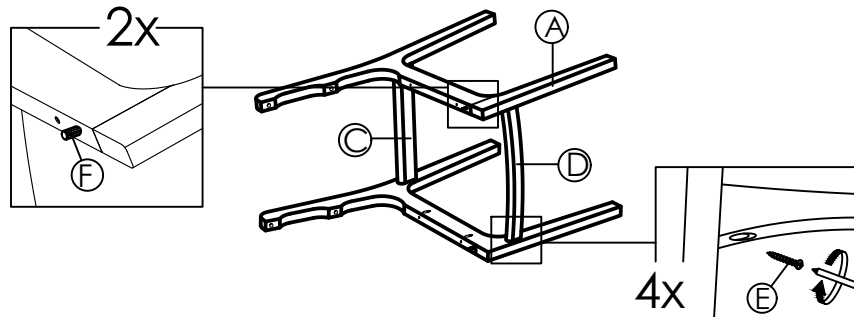
Product Assembly Instructions

LCLMSIGRWA/LCLMSIGRBL

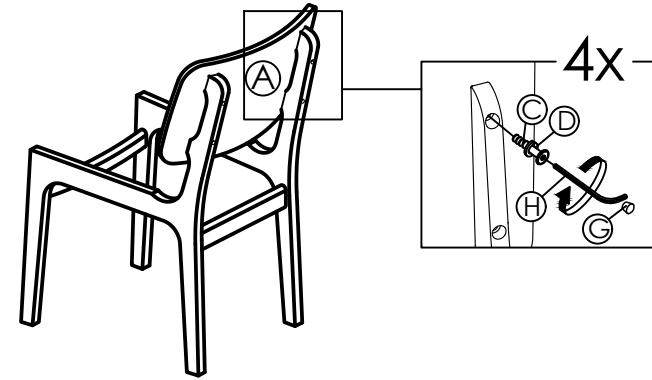
PART LIST

<p>A : SIDE LEGS (L & R) x2</p>	<p>B : CUSHION SEATS x1</p>	<p>C : BACK VENEERS x1</p>
<p>D : FRONT RAILS x1</p>	<p>E : BACK RAILS x1</p>	
HARDWARE LIST		
<p>C : JCBC SCREW M6 x 40MM x4</p>	<p>D : SPRING WASHER 1/4" x4</p>	<p>E : PAN HEAD WOOD SCREW M5 X 32MM x8</p>
<p>F : WOOD DOWEL DIA 8 x 25MM x2</p>	<p>G : WOOD BUTTON (DIA:14.5) x4</p>	<p>H : M4 ALLEN KEY (BALL SHAPE) LONG x1</p>

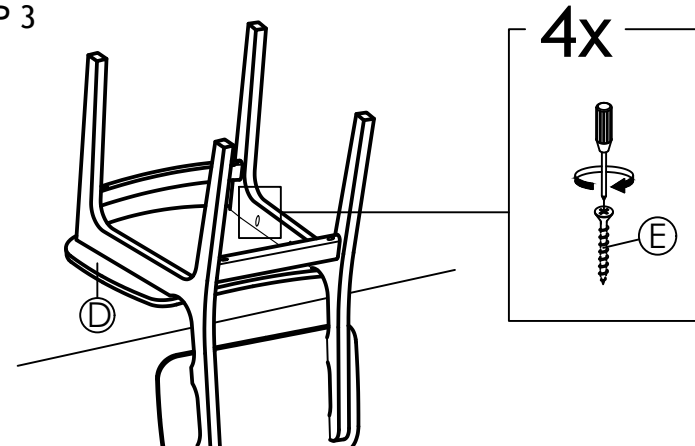
STEP 1



STEP 2



STEP 3



STEP 4

