


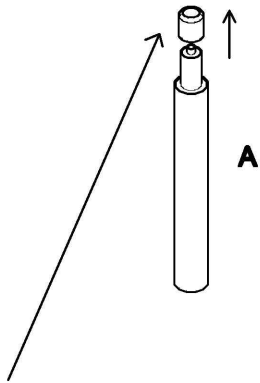
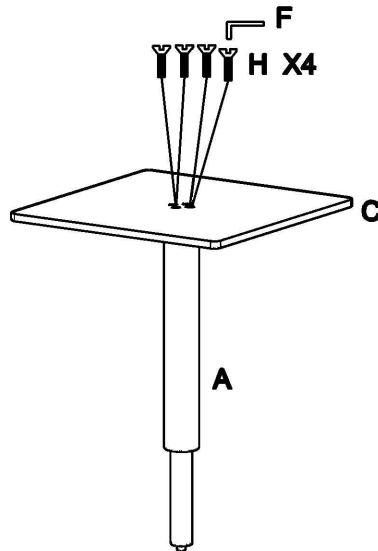
 E; Washer x4
A; gas spring x1	B; Footrest x1	C; Bottom plate x1	D; seat x1	 F; Allen wrench x2
				 G; Bolt M6*18mm x4
				 H; Bolt M6*25mm x4

STEP 1

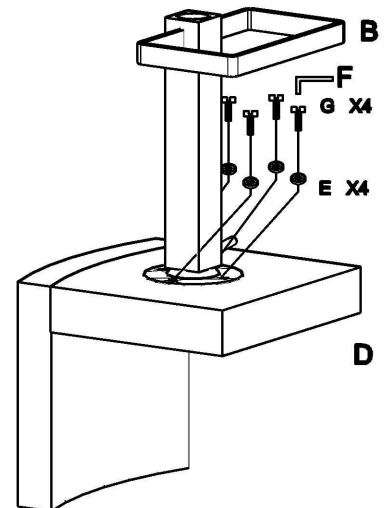


IMPORTANT:
remove black
cap before assembling

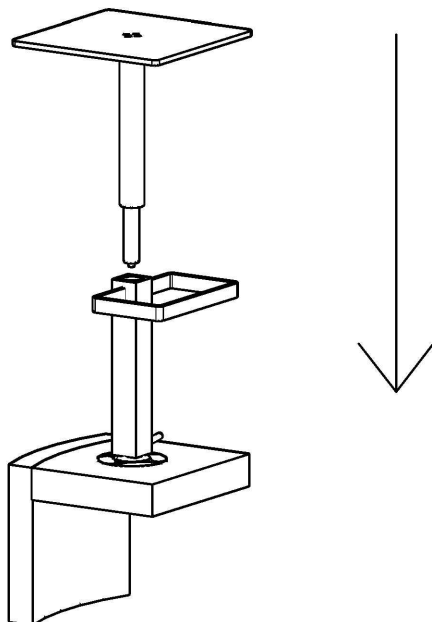
STEP 2



STEP 3



STEP 4



STEP 5

