

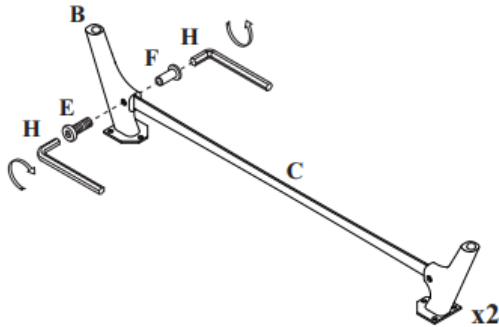
PRODUCT ASSEMBLY INSTRUCTIONS









Item#: KENDRA BUFFET

Helpers needed to assemble: **2**

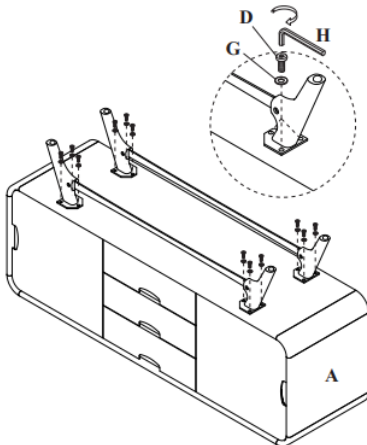
Estimate time frame to assemble: **30 minutes**

Tools Needed not Included: **Phillips Screwdriver, 1/4" Drill Bit & Stud Finder**

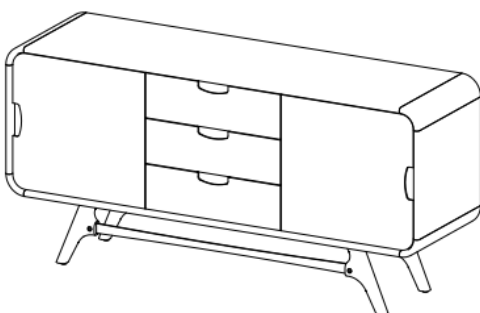


#	Picture	Description	Quantity
A		Sideboard	1
B		Side Legs	4
C		Middle Leg	2
D		Bolt – M8 x 20mm	12
E		Bolt – M8 x 25mm	4
F		Bolt - M8 x 25mm	4
G		Flat Washer – M8	12
H		Allen Key – M4	2

- **Step 1:** Identify the first set of side legs and the middle leg, using the two Allen Keys provided we will firmly tighten the (2 Bolt – M8 x 25mm; 2 Bolt - M8 x 25mm).
- **Step 2:** Using the Allen Key you will tighten the bolts until the leg is firmly attached.
 - Repeats Steps 1-2 for each leg.

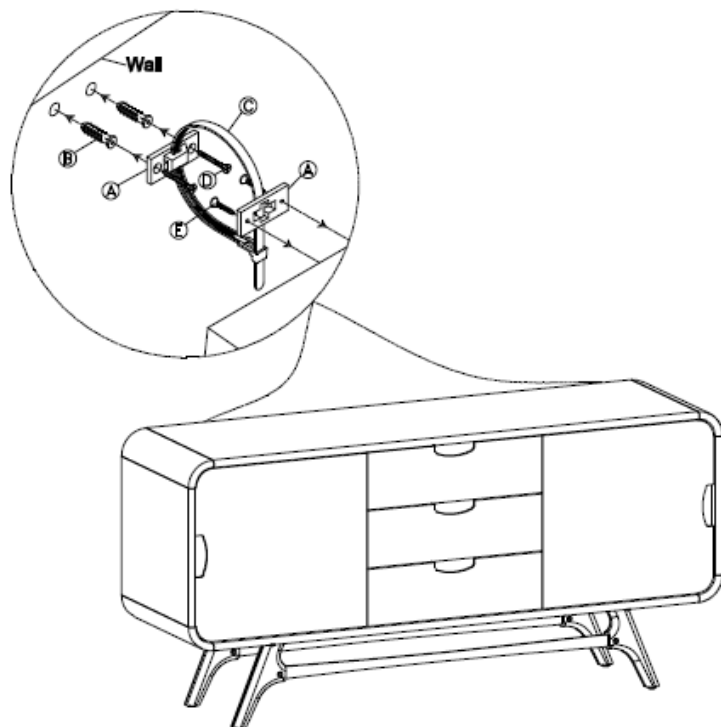


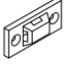




- **Step 3:** Place the sideboard upside down on the floor as seen. Make sure it's on a safe surface where the table cannot be scratched and or damaged.
- **Step 4:** Align the preassembled legs to the bottom of the sideboard as seen.
- **Step 5:** Using the Allen Key as follows (6 Bolt – M8 x 20mm; 6 flat washers) per set of side legs.
- **Step 6:** Using the Allen Key you will tighten the bolts until the leg is firmly attached.
 - Repeats Steps 5-6 for each leg.



- **Step 7:** Flip the buffet over upright as seen.
- **Step 8:** Test the buffet is firmly on the ground and the buffet does not wiggle.
- **Step 9:** Enjoy your new buffet.

ANTI-TIP KIT ASSEMBLY



#	Picture	Description	Quantity
A		Bracket - 22 x 43mm	4
B		Dry wall anchor - Ø8x40mm	4
C		Zip Tie - 5 x 250mm	2
D		Screw - M4 x 40mm	4
E		Screw - M4 x 20mm	4

- **Step 1:** Using a stud finder, find a wall stud to attach the bracket vertically.
- **Step 2:** Once you have found the location, mark and drill a hole through the stud by using a 1/4" drill bit.
- **Step 3:** Attach the bracket to the wall stud using the (Screw - M4 x 40mm) Make sure it aligns to the same width and height as the buffet brackets.
- **Step 4:** Attach the bracket to the buffet horizontally using the (Screw – M4 x 20mm). Make sure it aligns to the same width and height as the wall brackets
- **Step 5:** Once brackets have been installed on both the wall and the buffet. Move the buffet to its final position against the wall.
- **Step 6:** Thread the strap through the wall bracket first and loop it in through the buffet bracket and tighten until snug. Do not overtighten.