



Product Assembly Instructions

Item#: KARMIC OD COUNTER HEIGHT TABLE

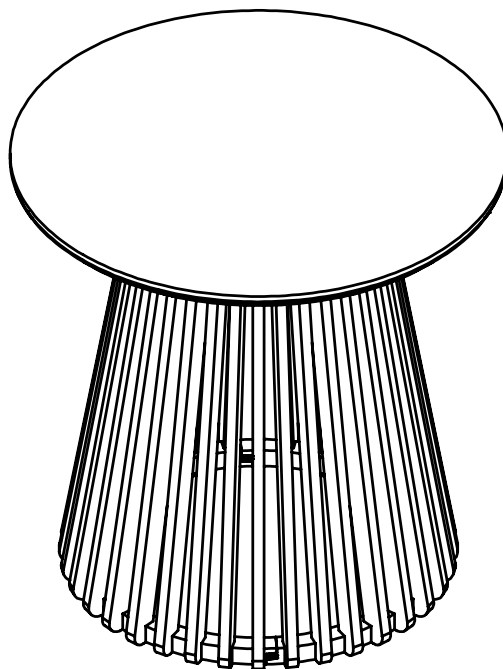
SKU: LCKCCDISTWHBRTOP/LCKCCDISTWHBRBS

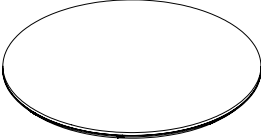
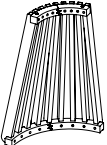
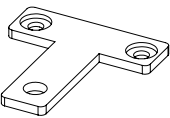
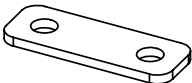
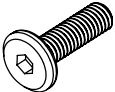
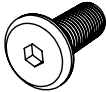

Thank you for purchasing this quality product.

- Be sure to check all packing material carefully for small parts, which may come loose inside the carton during shipment.
- Please identify and count all parts and compare them with the **HARDWARE LIST** below.
- Caution: Please read instructions carefully before unpacking assembly parts. Sharp, exposed staples can cause injury, therefore, for your protection, please remove any exposed staples used in packing.

* Keep the Allen Key and Tighten all screws each 3 months for safety concern!

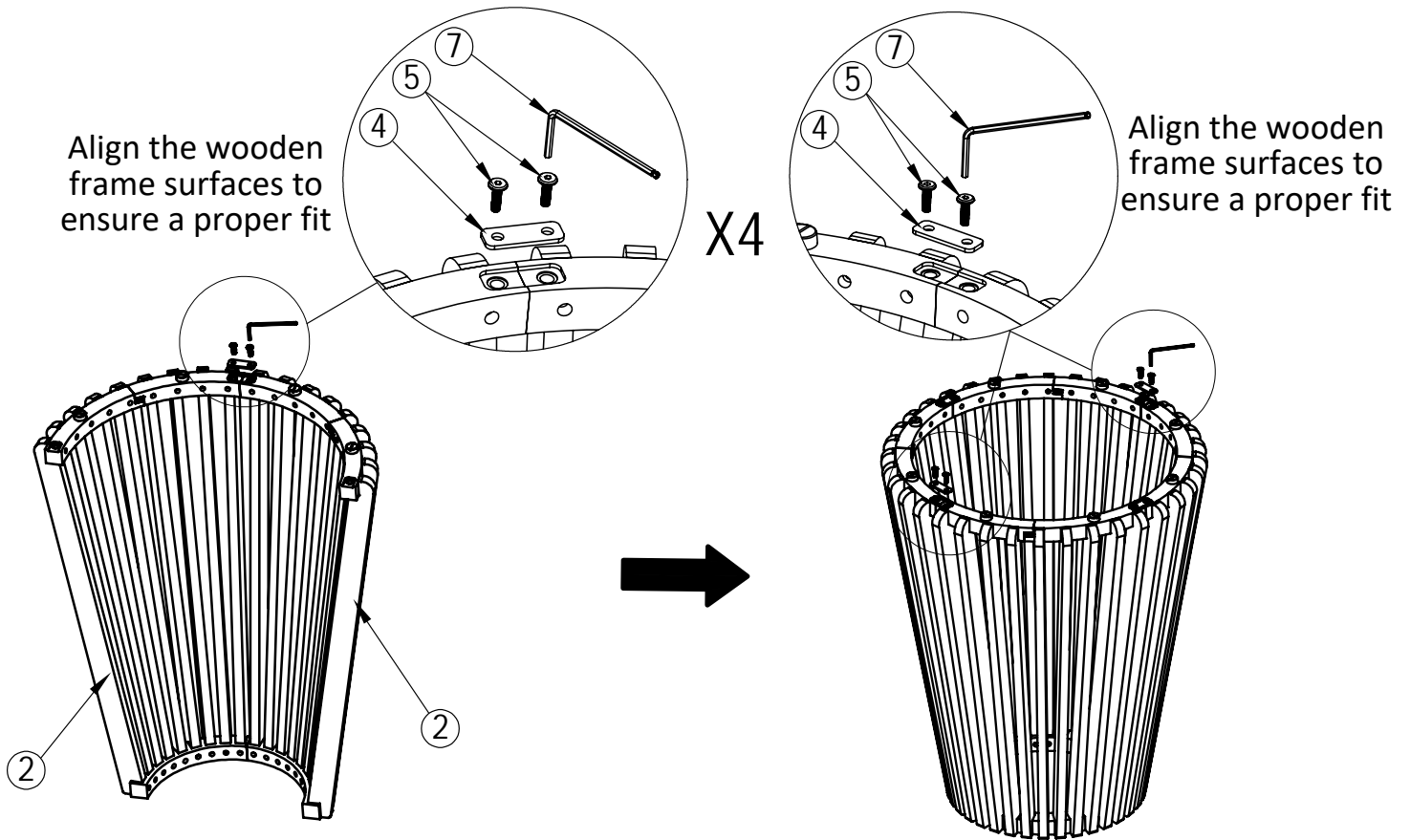
1. We recommend assembling this product with the assistance of another person. This will provide a smooth assembly process and can help eliminate self-injuries or damage to the product during assembly.
2. Please do not overtighten screws or bolts until the assembly is completed.
3. Please put all parts on a smooth, flat surface before assembly, and carefully follow the assembly steps to assemble your newly purchased product correctly and efficiently.



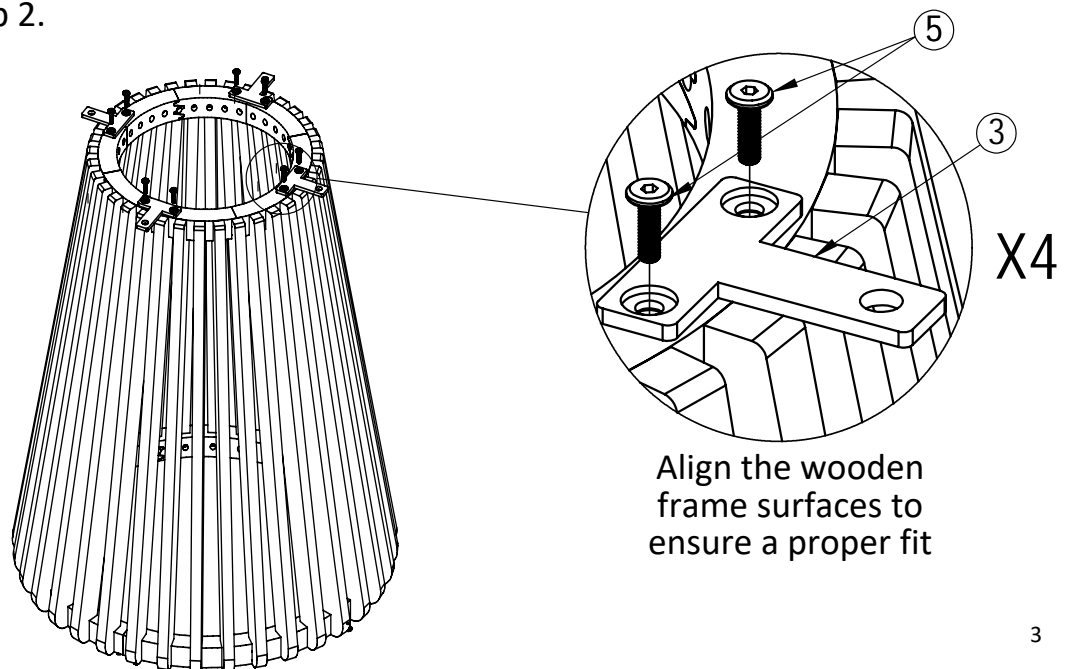
#	Image	Description	Quantity
1		Tabletop	1
2		Table leg	4
3		T Bracket	4
4		Bracket	4
5		JCBC M6x 20mm bolt	16
6		JCBC M8 x 20mm bolt	4
7		Allen wrench	1

- **Step 1:** Do not fully tighten bolts from this step.

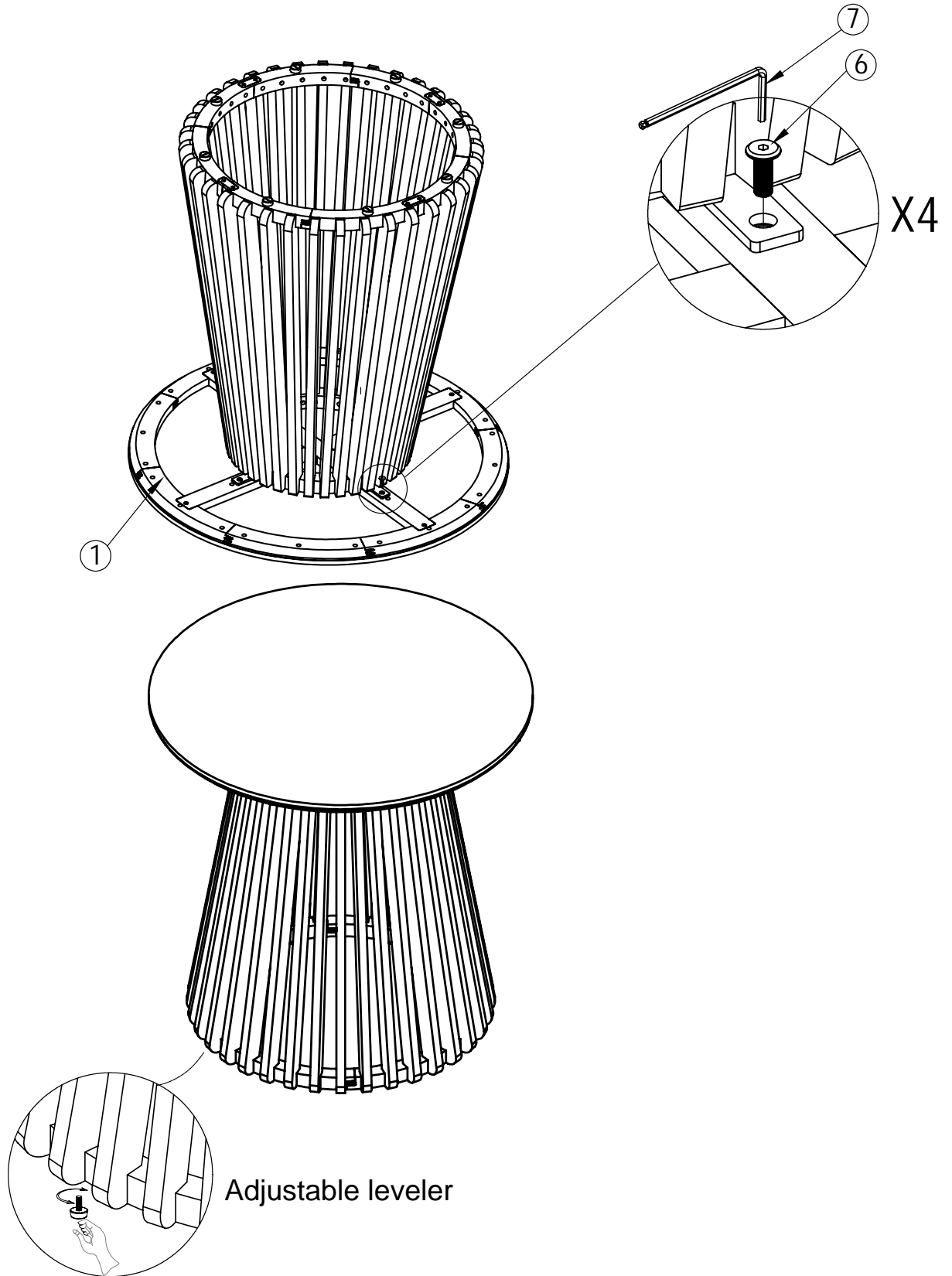
Attach the Brackets (4) to the table legs (2) using 8 pcs of JCBC M6 x 20 mm bolts (5). Use the Allen wrench (7) provided.



- **Step 2:** Attach the T Brackets (3) to the table legs (2) using 8 pcs of JCBC M6 x 20 mm bolts (5). Use the Allen wrench (7) provided. Fully tighten all bolts installed in Step 1 and Step 2.



- **Step 3:** Attach the table legs (2) to the Table top (1) using 4pcs of JCBC M8 x 20 mm bolts (6). Use the Allen wrench (7) provided. Tighten all bolts securely.



Assembly is complete