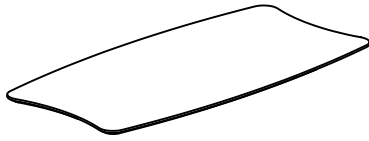




# Product Assembly Instructions

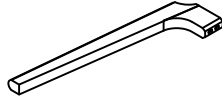
## KALIA TABLE

### PART LIST



A : TABLE TOP

x1



B : TABLE LEG

x4

### HARDWARE LIST



C : JCBB SCREW M8 x 80MM

x8



D : JCBB SCREW M8 x 60MM

x4



E : SPRING WASHER 5/16"

x12



F: FLAT WASHER 5/16"

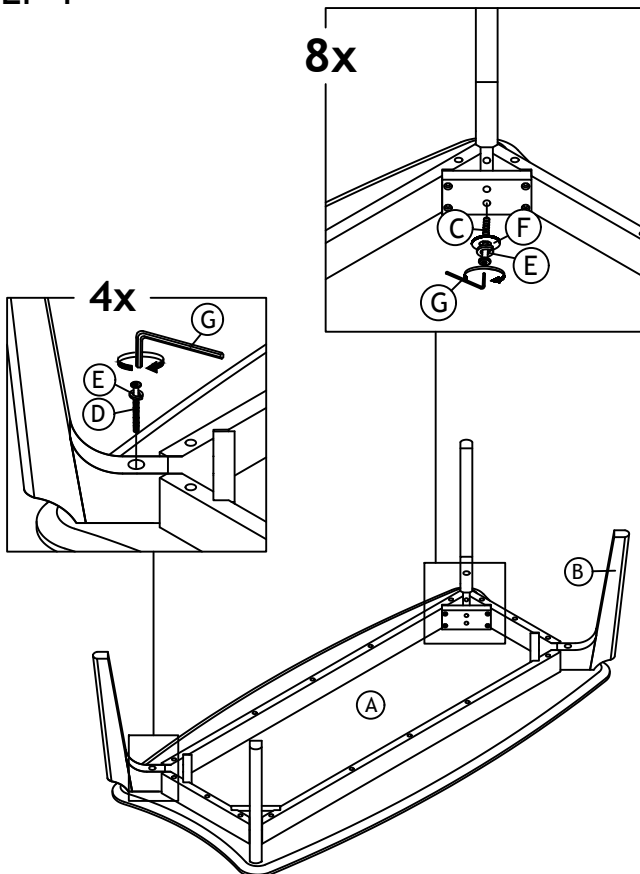
x8



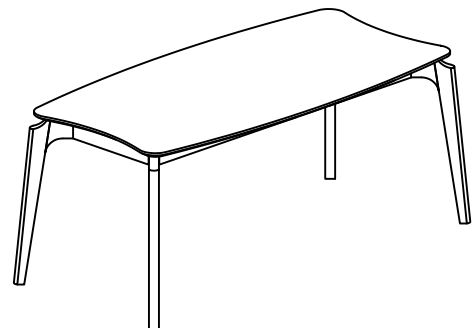
G: ALLEN KEY M5

x1

### STEP 1



### STEP 2



COMPLETED ASSEMBLY