

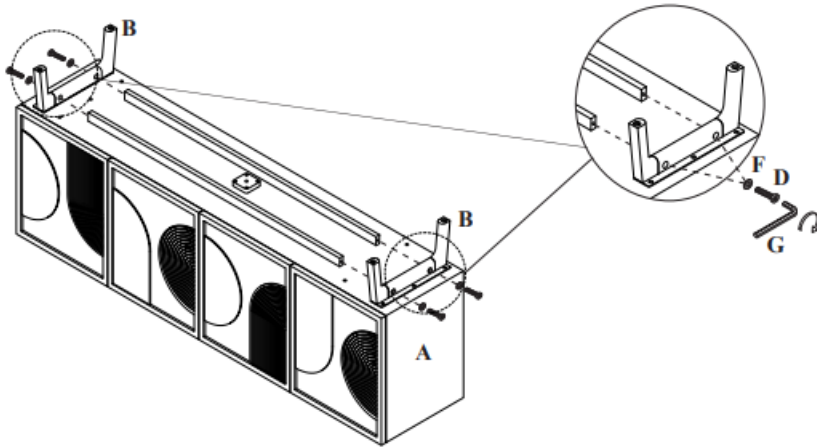
# PRODUCT ASSEMBLY INSTRUCTIONS








## Item#: HOLLAND BUFFET

Helpers needed to assemble: **2**

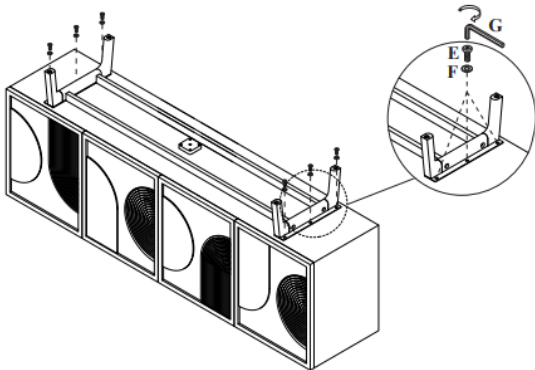
Estimate time frame to assemble: **30 minutes**

Tools Needed not Included: **Phillips Screwdriver, 1/4" Drill Bit & Stud Finder**

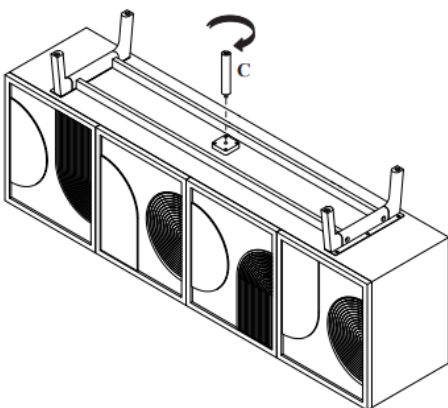


#	Picture	Description	Quantity
A		Sideboard	1
B		Side Legs	2
C		Middle Leg	1
D		Bolt – M6 x 40mm	4
E		Bolt – M6 x 20mm	6
F		Flat Washer	10
G		Allen Key – M4	1

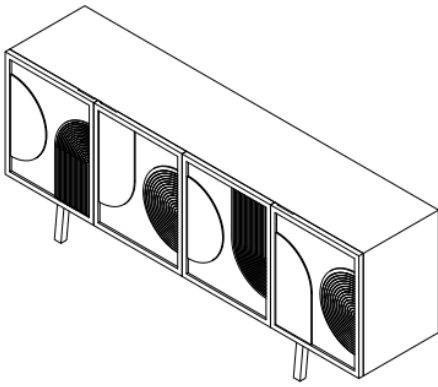
- **Step 1:** Place the sideboard upside down on the floor as seen. Make sure it's on a safe surface where the table cannot be scratched and or damaged.
- **Step 2:** Align the table leg with the sideboard holes as seen.
- **Step 3:** Identify the first set of side legs and the bolt in sideways using the Allen Key as follows (2 M6 x 40mm bolt; 2 flat washers) per set of side legs.
- **Step 4:** Using the Allen Key you will tighten the bolts until the leg is firmly attached.
  - i. Repeats Steps 2-4 for each leg.



- **Step 5:** Proceed to screw in the legs to the base of the sideboard.
- **Step 6:** bolt down using the Allen Key as follows (3 M6 x 20mm bolt; 3 flat washers) per set of side legs.
- **Step 7:** Using the Allen Key you will tighten the bolts until the leg is firmly attached.
  - i. Repeats Steps 5-7 for each leg.

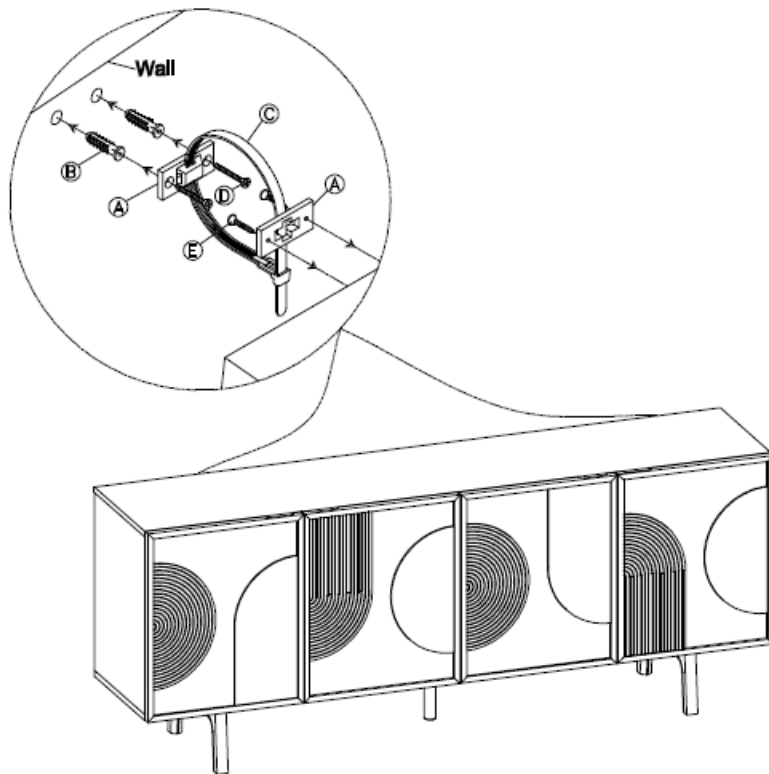


- **Step 8:** Proceed to screw in the middle leg to the bottom of the baseboard by turning the leg firmly until tight.



- **Step 9:** Flip the buffet over upright as seen.
- **Step 10:** Test the buffet is firmly on the ground and the buffet does not wiggle.
- **Step 11:** Enjoy your new buffet.

## ANTI-TIP KIT ASSEMBLY



#	Picture	Description	Quantity
A		Bracket - 22 x 43mm	4
B		Dry wall anchor - Ø8x40mm	4
C		Zip Tie - 5 x 250mm	2
D		Screw - M4 x 40mm	4
E		Screw - M4 x 20mm	4

- **Step 1:** Using a stud finder, find a wall stud to attach the bracket vertically.
- **Step 2:** Once you have found the location, mark and drill a hole through the stud by using a 1/4" drill bit.
- **Step 3:** Attach the bracket to the wall stud using the (Screw - M4 x 40mm) Make sure it aligns to the same width and height as the buffet brackets.
- **Step 4:** Attach the bracket to the buffet horizontally using the (Screw - M4 x 20mm). Make sure it aligns to the same width and height as the wall brackets
- **Step 5:** Once brackets have been installed on both the wall and the buffet. Move the buffet to its final position against the wall.
- **Step 6:** Thread the strap through the wall bracket first and loop it in through the buffet bracket and tighten until snug. Do not overtighten.