







# PRODUCT ASSEMBLY INSTRUCTIONS

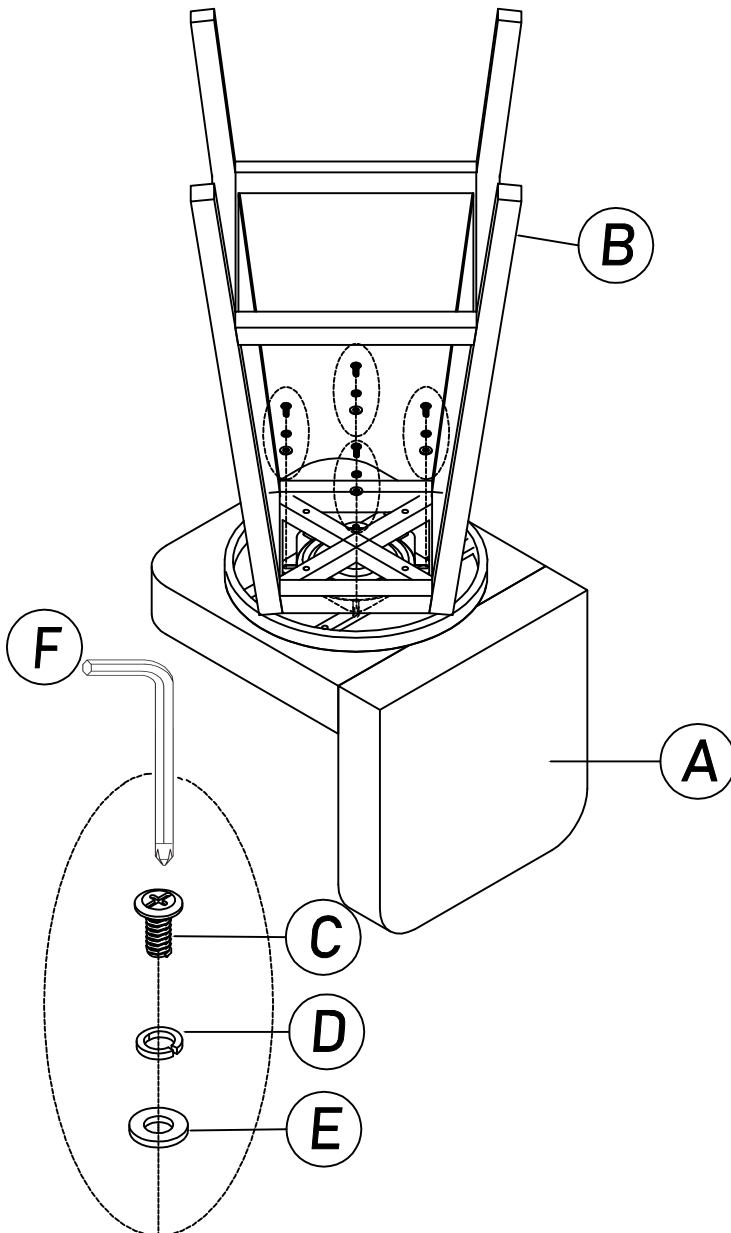
## ITEM: FRISCO BARSTOOL

Helpers needed to assemble: 2

Estimate time frame to assemble: 15 minutes

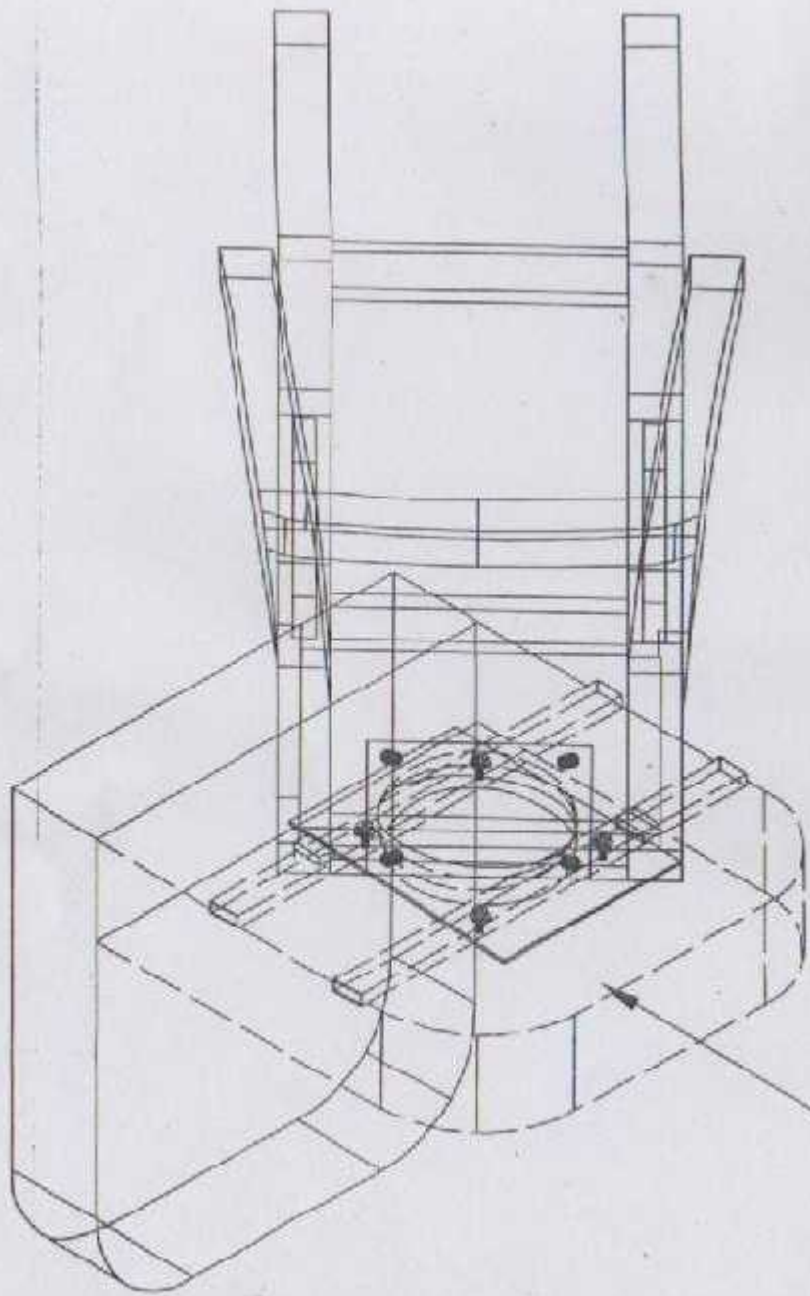
### I, PARTS LIST:

#	Picture	DESCRIPTIONS	Quantity
A		BARSTOOL SEAT	1
B		BARSTOOL BASE	1
C		SCREW 1/4"-20 PPH 3/4"	4
D		LOCK WASHER	4
E		FLAT WASHER	4
F		DUEL HEX WRENCH WITH CROSSHEAD	1

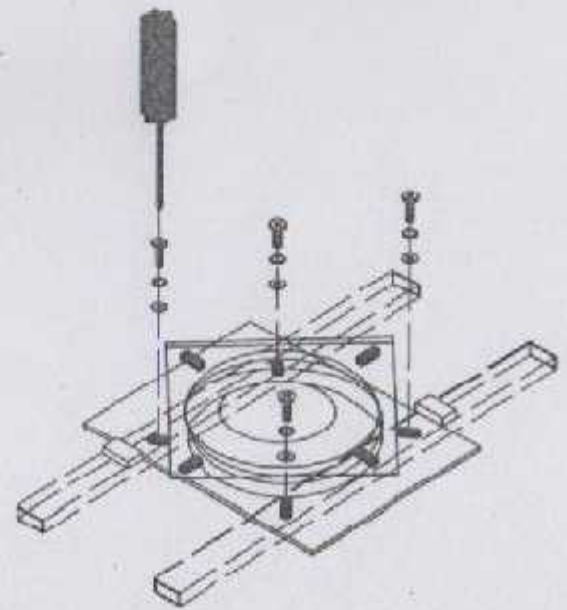


## II, INSTALLATIONS:

1. PLACE THE SEAT(A) UPSIDE DOWN ON A PADDED OR CARPETED SURFACE, MAKE SURE THE SEAT IS FACING THE FRONT. DO NOT REMOVE ANY PROTECTION PACKAGE AT THIS TIME.
2. TURN THE BASE UPSIDE DOWN, MAKE SURE THE FOOTREST IS FACING, THE FRONT. POSITION THE TOP PLATE OF THE SWIVEL AGAINST THE STOPPERS ON THE TWO BARS (AS SHOWN )
3. PRESS THE BASE DOWN AND TURNIT TO  $-45^{\circ}$  (CLOCKWISE)UNTIL YOU CAN MATCH THE HOLES OF THE SWIVEL WITH THE HOLES OF THE TWO BARS UNDERNEATH THE SEAT.
4. FINGER TIGHTEN 4 SCREWS (C) WITH LOCK WASHERS (D), AND THE FLAT WASHER TO THE HOLES ON THE SEAT, AS SHOWN. (IF YOU FACE THE FRONT OF THE BARSTOOL),
5. TIGHTEN ALL 4 SCREWS (C) WITH THE CROSSHEAD SIDE OF HEX TOOL
6. RELEASE YOUR HAND SO THE BASE CAN RETURN AND FACE THE FRONT AGAIN.
7. TURN THE BARSTOOL UPRIGHT, CAREFULLY REMOVE THE PROTECTION PACKAGES.
8. TURNED THE SEAT TO LEFT AND RIGHT A FEW TIMES, NOW THE BARSTOOL IS READY TO BE USED.



VIEW



# ASSY. INSTRUCTIONS FOR BARSTOOLS.

I. TOOL REQUIRED: A PHILLIPS HEAD SCREWDRIVER.

II. PARTS LIST:

ITEM	DESCRIPTIONS	QTY
A	BARSTOOL SEAT	1
B	BARSTOOL BASE	1
C	SCREW 1/4-20 PPH 3/4"	4
D	LOCK WASHER	4
E	FLAT WASHER	4

III. INSTALLATIONS.

1. PLACE THE SEAT (A) UPSIDE DOWN ON A PADDED OR CARPETED SURFACE, MAKE SURE THE SEAT IS FACING THE FRONT. DO NOT REMOVE ANY PROTECTION PACKAGES AT THIS TIME.
2. TURN THE BASE UPSIDE DOWN, MAKE SURE THE FOOTREST IS FACING THE FRONT. POSITION THE TOP PLATE OF THE SWIVEL AGAINST THE STOPPERS ON THE TWO BARS (AS SHOWN)
3. PRESS THE BASE DOWN AND TURN IT TO -45° (CLOCKWISE) UNTIL YOU CAN MATCH THE HOLES OF THE SWIVEL WITH THE HOLES OF THE TWO BARS UNDERNEATH THE SEAT.
4. FINGER TIGHTEN 4 SCREWS (C) WITH LOCK WASHERS (D), AND THE FLAT WASHER TO THE HOLES ON THE SEAT, AS SHOWN. (IF YOU FACE THE FRONT OF THE BARSTOOL).
5. TIGHTEN ALL 4 SCREWS (C) WITH THE PHILLIPS HEAD SCREWDRIVER.
6. RELEASE YOUR HAND SO THE BASE CAN RETURN AND FACE THE FRONT AGAIN.
7. TURN THE BARSTOOL UPRIGHT, CAREFULLY REMOVE THE PROTECTION PACKAGES.
8. TURNED THE SEAT TO LEFT AND RIGHT A FEW TIMES. NOW THE BARSTOOL IS READY TO BE USED.