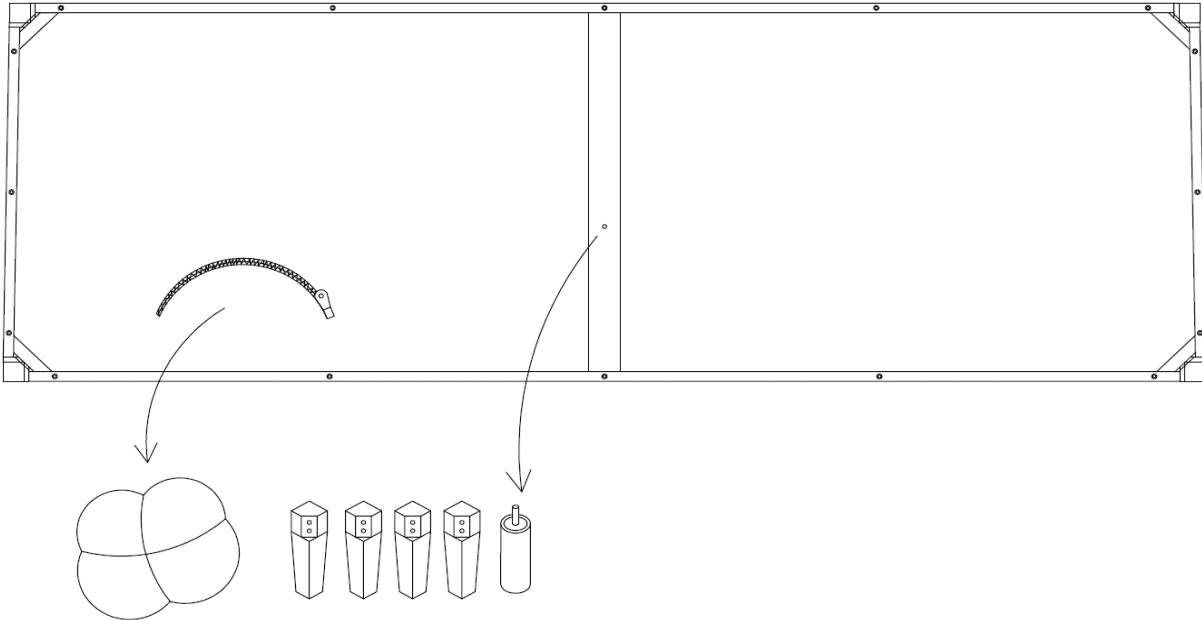


# Assembly Instruction

STEP 1. The parts are in the bags located at the Sofa Bottom.  
Open and remove carefully so damage does not occur.



STEP 2. Attach the leg to wood frame using bolt and washer, with allen wrench  
Now tighten all bolts securely.  
Caution: do not over tighten bolts as damage could occur.

