




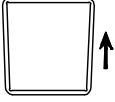
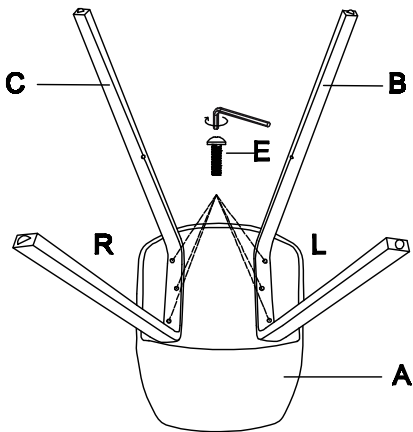
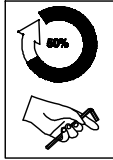


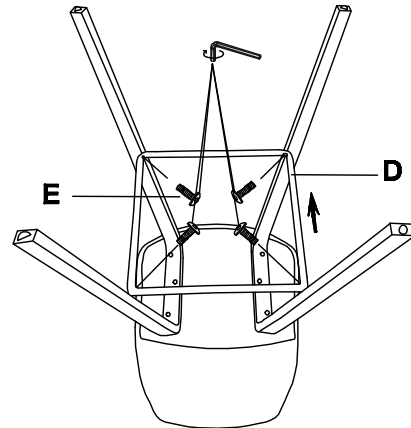
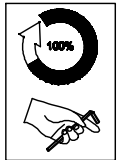
Assembly Instruction

A*1		E*10+1EXT	 M6*30MM
B*1		G*1	 M6
C*1			
D*1			

STEP 1

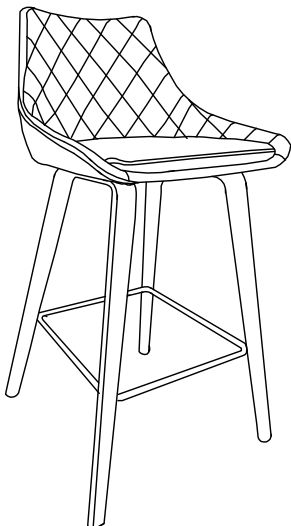


STEP 2



Fasten All screws indicate on Step 1 & Step2.

STEP 3



NOTE:

If the legs are uneven, please adjust it by pressing the legs.

