

# Product Assembly Instructions

## Item#: CELINA CONSOLE TABLE

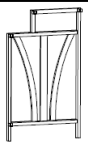
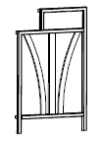







**Helpers needed to assemble: 2**







**Estimated time frame to assemble: 20 minutes**

Thank you for purchasing this quality product. Be sure to check all packing material carefully for small parts, which may come loose inside the carton during shipment. Please identify and count all parts and compare with the HARDWARE LIST below.

**Caution:** Please read instructions carefully before unpacking assembly parts. Sharp, exposed staples can cause injury, therefore, for your protection, please remove any exposed staples used in packing.

**\* Retain the Allen key for regular maintenance. We recommend tightening all screws every three months to ensure continued stability and performance. \***

#	Picture	Description	Q'TY.
A		Left Leg Frame	1
B		Right Leg Frame	1
C		Top Support Bar	2
D		Front Upper Support Bar	1
E		Stretcher	1
F		Upper Main Glass Table Top	1
G		Lower Small Glass Table Top	1
H		V Frame	1
I		T Bracket	1

#	Picture	Description	Q'TY.
1		Ø1/4" x 16mm Counter Sunk Bolt	3
2		Ø1/4" x 16 mm Bolt	10
3		Ø16/ Ø6 mm Flat washer	10
4		Ø1/4" Spring Washer	10
5		Allen key	1
6		Glass suction Pad	14

Before beginning assembly, place all parts on a smooth, flat surface.

### Step 1 - Attach T Bracket.

- Place **the stretcher (E)** with the pre-drilled holes facing upward.
- Align **the T bracket (I)** with the holes on the **stretcher (E)**.
- Secure using **Ø1/4" × 16 mm bolts (2)** with **flat washers (3)** and **spring washers (4)**,
- Tighten with the provided **Allen key (5)**.

### Step 2 - Attach V Frame.

- Align the **V frame (H)** with **the stretcher (E)** and **the front upper support bar (D)**.
- Secure the frame to the stretcher using **Ø1/4" × 16 mm countersunk bolt (1)**.
- Then secure it to the front upper support bar using **Ø1/4" × 16 mm countersunk bolt (1)**.
- Ensure all holes are aligned before fully tightening with the **Allen key (5)**.

### Step 3 - Attach Left Leg Frame

- Position the **stretcher (E)** and **front upper support bar (D)** onto the **left leg frame (A)**.
- Secure using **Ø1/4" × 16 mm bolts (2)** with **flat washers (3)** and **spring washers (4)**.
- Tighten securely with the **Allen key (5)**.

### Step 4 - Install Top Support Bars.

- Attach the **top support bars (C)** to the **left leg frame (A)**.
- Secure using **Ø1/4" × 16 mm bolts (2)** with **flat washers (3)** and **spring washers (4)**.
- Tighten securely once aligned.

### Step 5 - Attach Right Leg Frame

- Position the **right leg frame (B)** onto the **stretcher (E)**, **front upper support bar (D)** and **top support bars (C)**.
- Secure using **Ø1/4" × 16 mm bolts (2)** with **flat washers (3)** and **spring washers (4)**.
- Tighten all bolts securely with the **Allen key (5)**.

### Step 6: Install Glass suction pads

Insert the **glass suction pad (6)** into the frame.

- **8 pads** on the upper frame
- **6 pads** on the lower frame

### Step 7 - Install Lower Glass Tabletop

Carefully place the lower small glass tabletop (G) onto the lower frame.

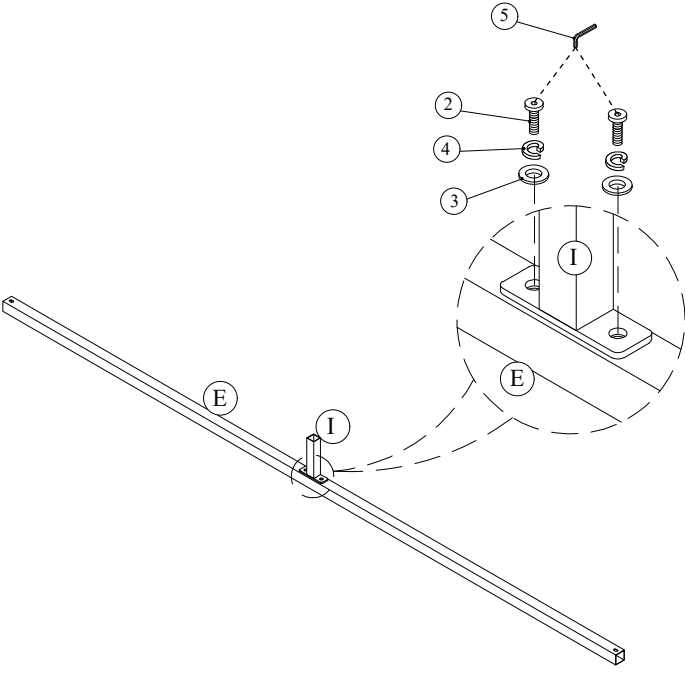
### Step 8 - Install Upper Main Glass Tabletop

Carefully place the upper main glass tabletop (F) onto the upper frame.

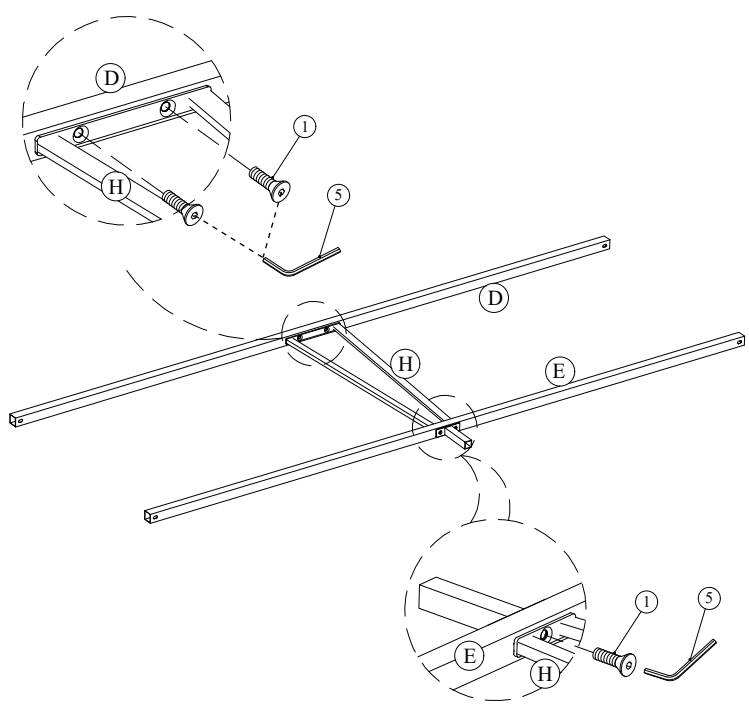
### Assembly Complete

Your Celina Console Table is now ready for use. Enjoy your new furniture.

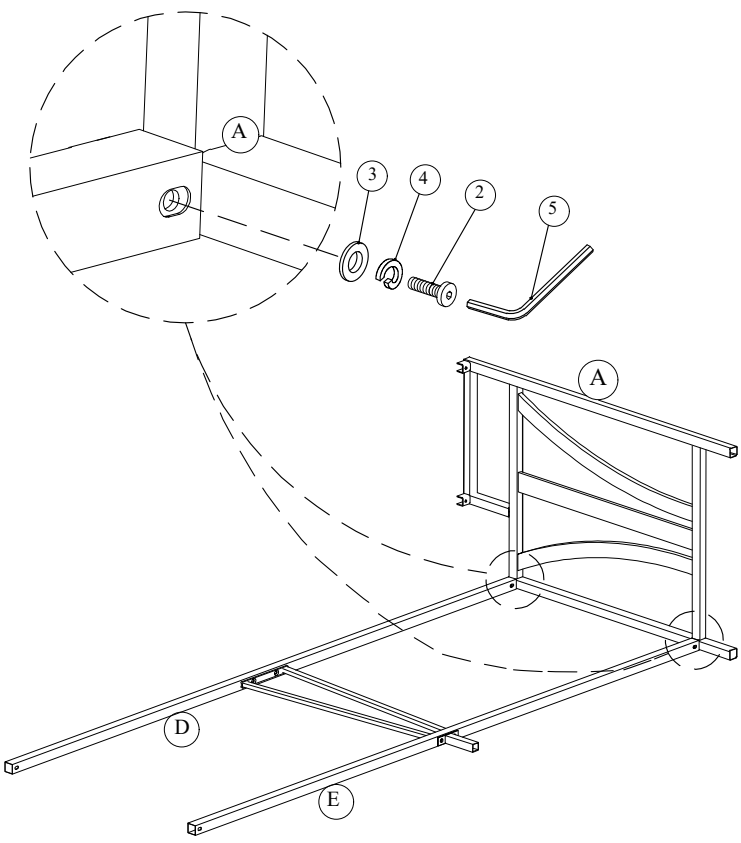
**STEP 1**



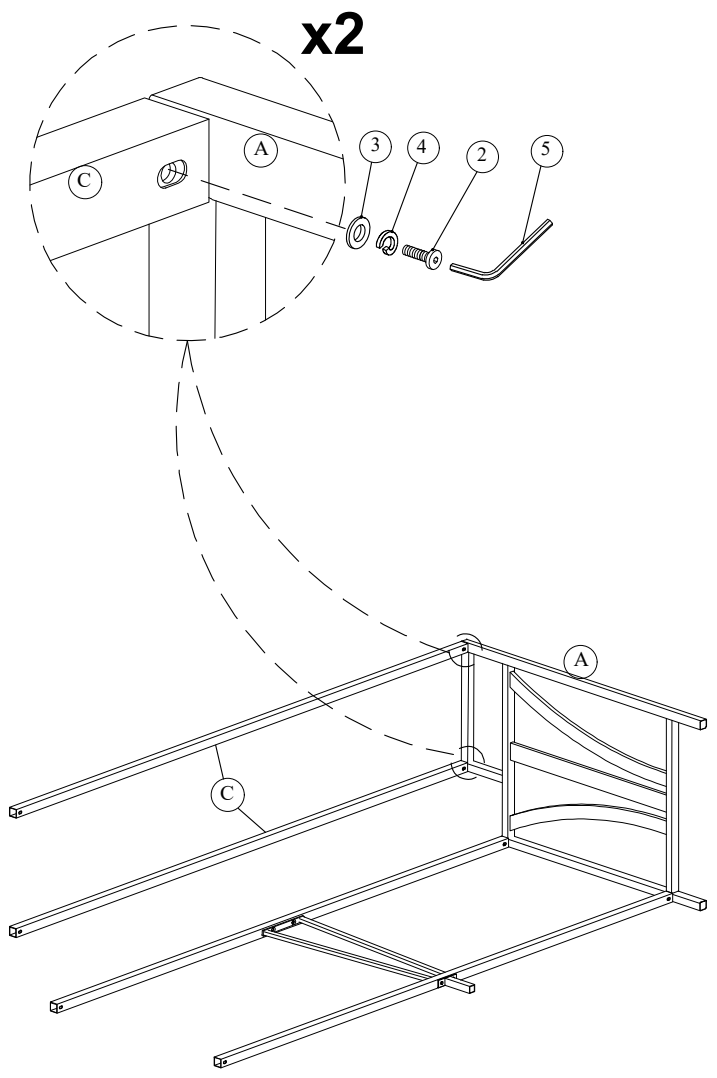
**STEP 2**



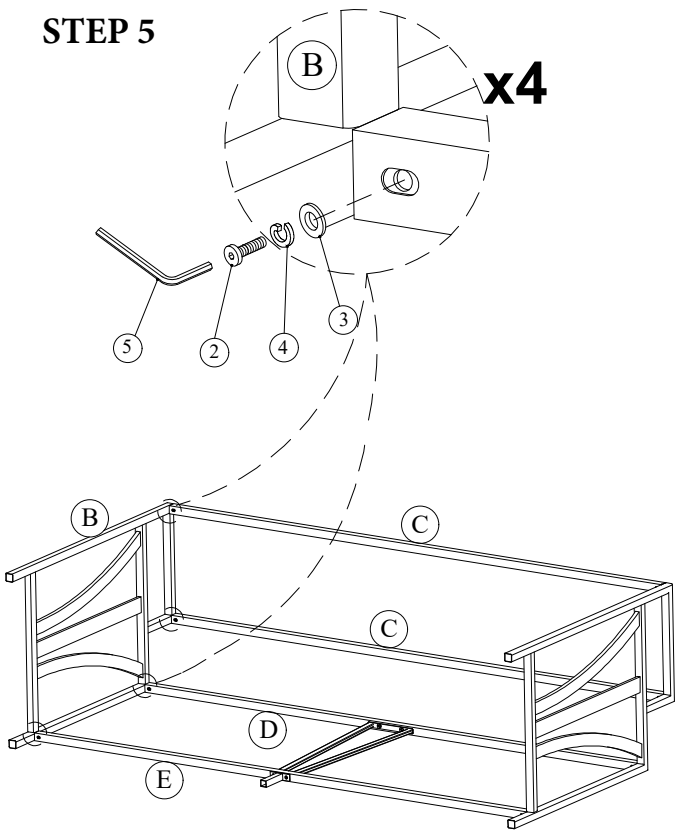
**STEP 3**



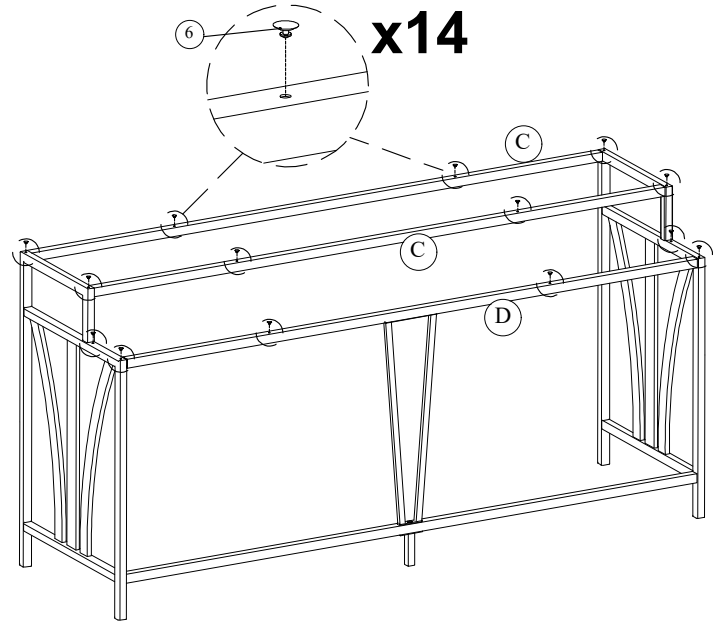
**STEP 4**



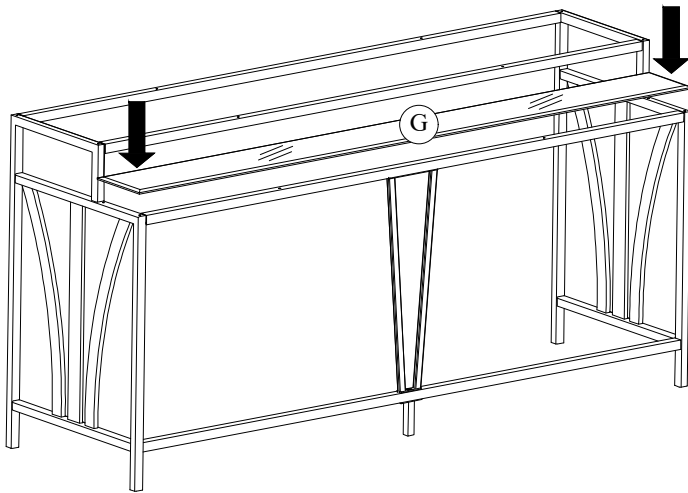
**STEP 5**



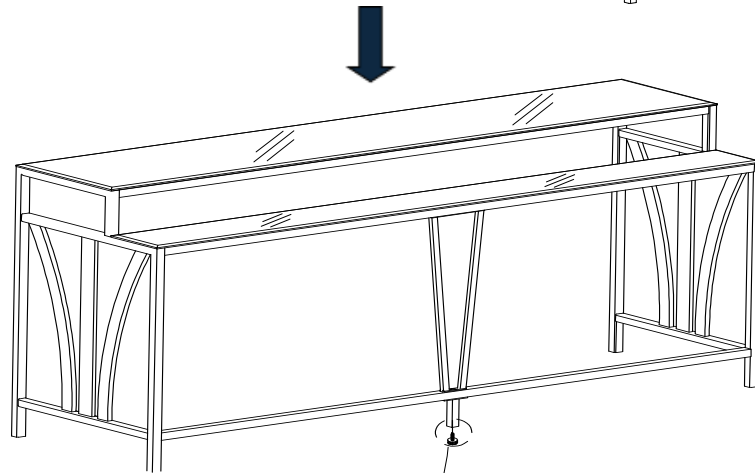
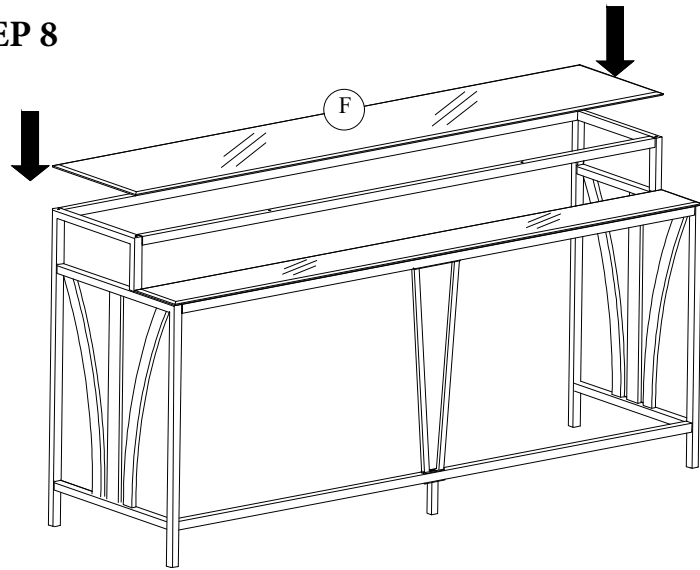
**STEP 6**



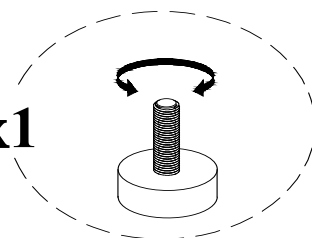
**STEP 7**



**STEP 8**



**x1**



**Adjustable Leveler**

Adjust it until the table stables and level on the floor.