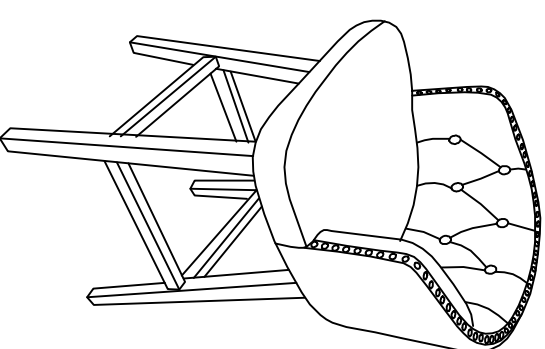
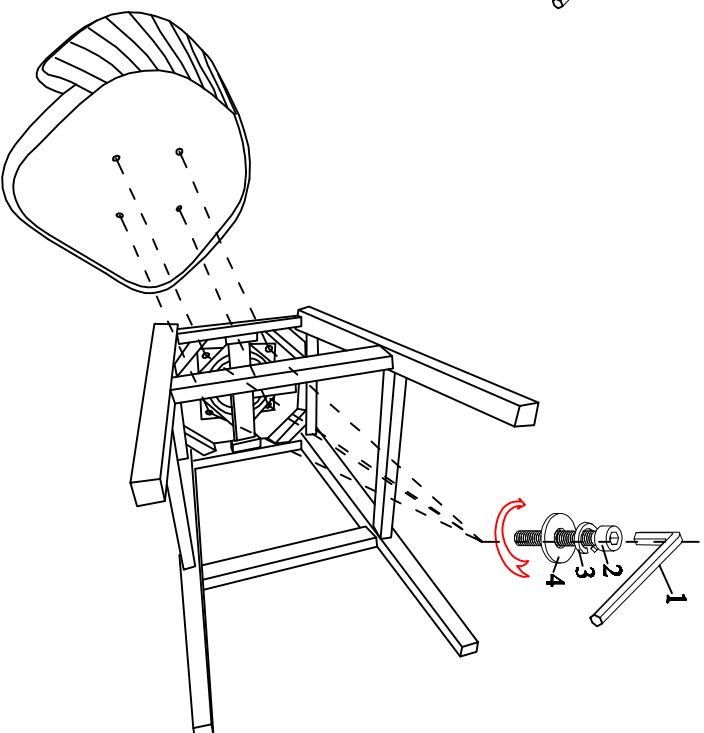
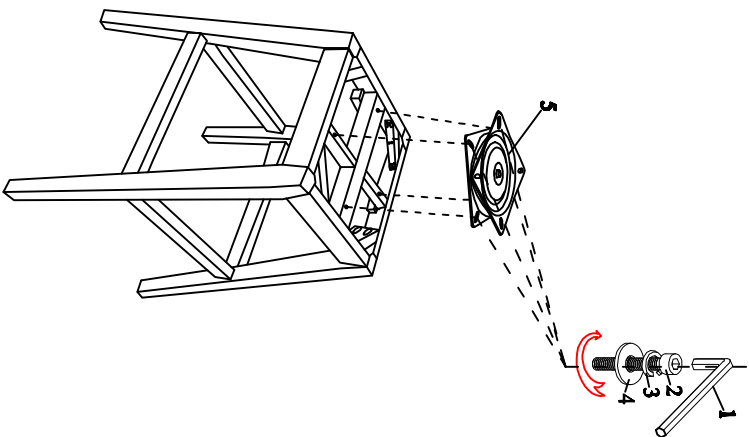







# ASSEMBLY INSTRUCTIONS

## LCCIB



### Hardware

|   |   |                     |      |
|---|---|---------------------|------|
| 1 |  | "L" Wrench          | 1pc  |
| 2 |  | Bolt 6*25mm         | 8pcs |
| 3 |  | Spring Washer       | 8pcs |
| 4 |  | Flat Washer         | 8pcs |
| 5 |  | Turnplate 6.75 inch | 1pc  |