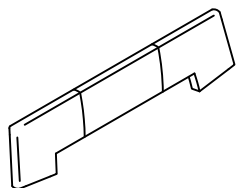




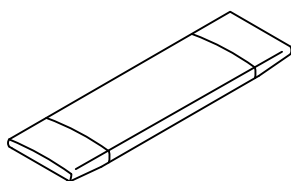
Product Assembly Instructions

CHANNELL BENCH

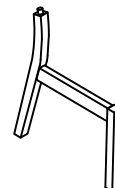
PART LIST



A : BACKREST x1



B : CUSHION SEAT x1



C : SIDE LEG (L & R) x2



D : SUPPORT x1

HARDWARE LIST



E : JCBC SCREW M6 x 45mm x7



F : JCBC SCREW M6 x 70mm x4

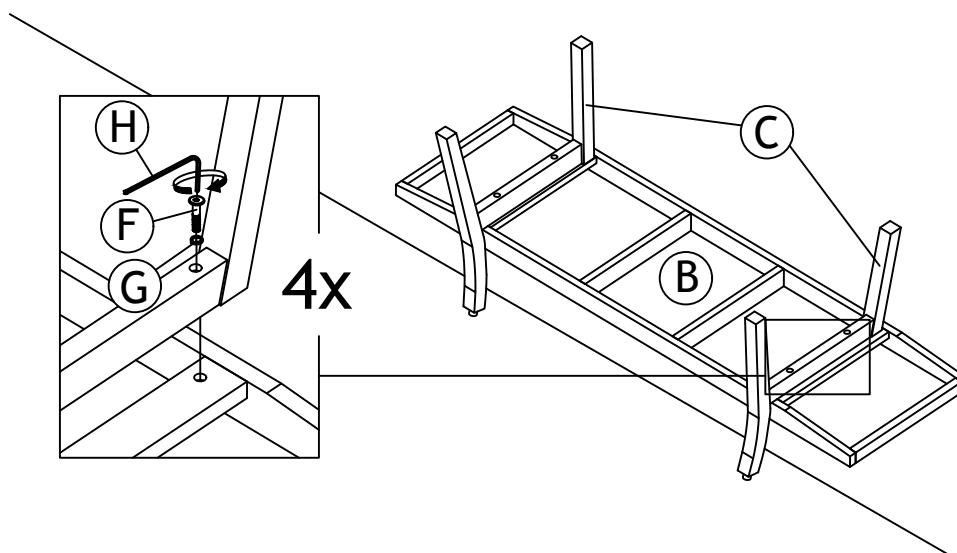


G : SPRING WASHER 1/4" x11

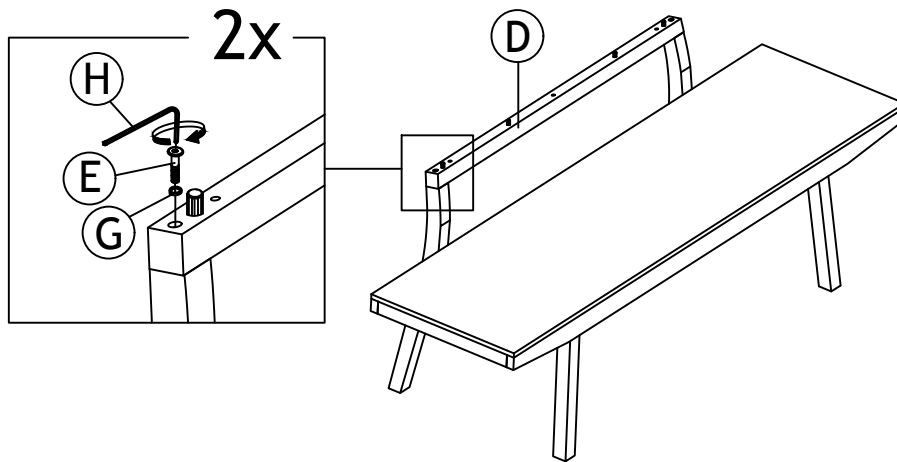


H : M4 ALLEN KEY (BALL SHAPE) LONG x1

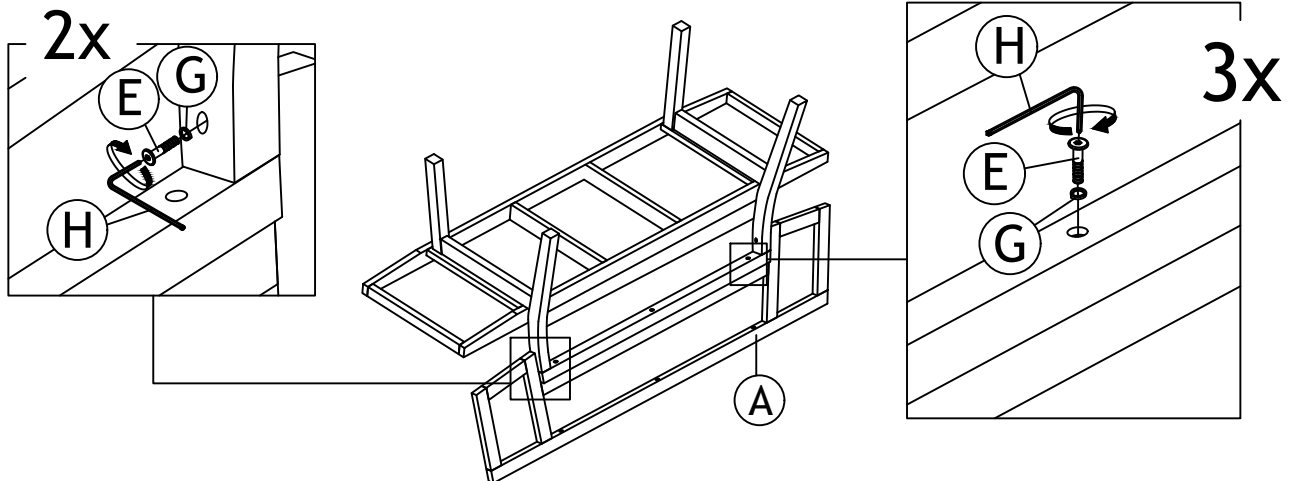
STEP 1



STEP 2



STEP 3



STEP 4

