

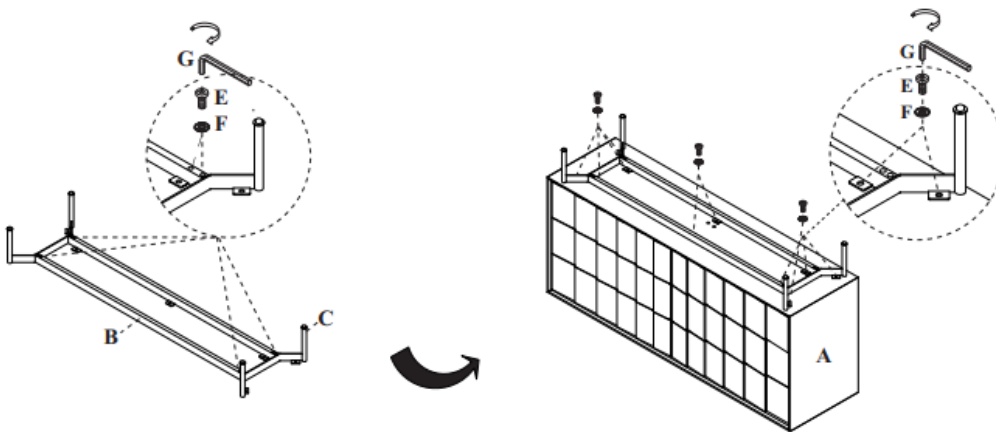
PRODUCT ASSEMBLY INSTRUCTIONS

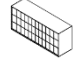

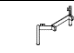



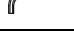
Item#: CARNABY DRESSER

Helpers needed to assemble: 2

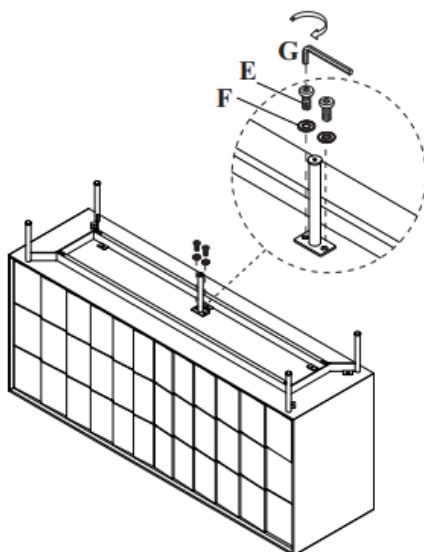
Estimate time frame to assemble: 30 minutes

Tools Needed not Included: **Phillips Screwdriver, 1/4" Drill Bit & Stud Finder**

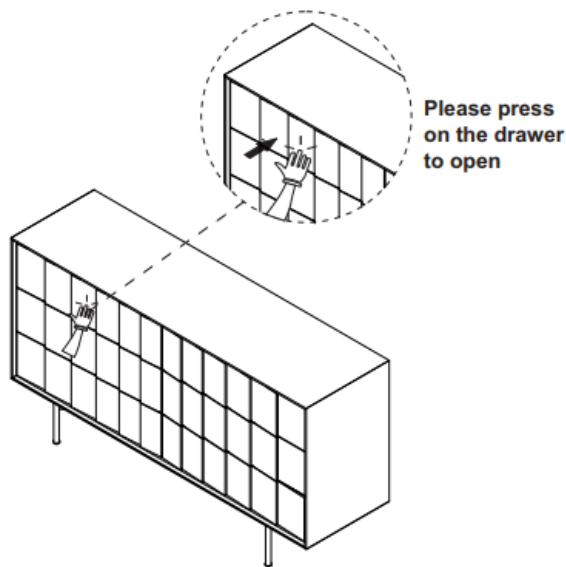


#	Picture	Description	Quantity
A		Dresser	1
B		Metal Bar	2
C		Side Leg	2
D		Middle Leg	1
E		Bolt – M8 x 20mm	20
F		Flat Washer – M8	20
G		Allen Key – M4	1

- **Step 1:** Place the dresser upside down on the floor as seen. Make sure it's on a safe surface where the dresser cannot be scratched and or damaged.
- **Step 2:** Place the two metal bars on the floor with the 2 side legs on either end. using the Allen Key as follows (2 M8 x 20mm; 2 flat washers) per set of side legs.
- **Step 3:** Using the Allen Key you will tighten the bolts until the leg is firmly attached.
 - i. Repeats Steps 2-3 for both legs.
- **Step 4:** Proceed to transfer the preassembled leg to the bottom of the dresser as seen.
- **Step 5:** Bolt down using the Allen Key as follows (4 M8 x 20mm bolt; 4 flat washers) per set of side legs.
- **Step 6:** Using the Allen Key you will tighten the bolts until the leg is firmly attached.
 - i. Repeats Steps 5-6 for each leg.
- **Step 7:** Bolt down using the Allen Key as follows (2 M8 x 20mm bolt; 2 flat washers) to bolt down the middle of the bars onto the dresser. Tighten the bolts until the bars are firmly attached.

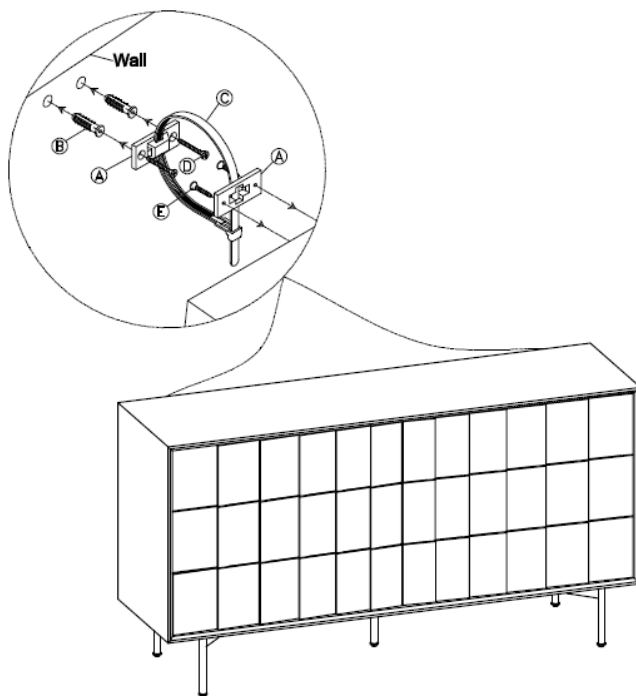


- **Step 8:** Proceed to bolt in the middle leg to the bottom of the dresser by bolting down using the Allen Key as follows (2 M8 x 20mm bolt; 2 flat washers) to bolt down the middle leg onto the dresser. Tighten the bolts until the bars are firmly attached.



- **Step 9:** Flip the dresser over upright as seen.
- **Step 10:** Test the dresser is firmly on the ground and the dresser does not wiggle.
- **Step 11:** Enjoy your new dresser.

ANTI-TIP KIT ASSEMBLY



#	Picture	Description	Quantity
A		Bracket - 22 x 43mm	4
B		Dry wall anchor - Ø8x40mm	4
C		Zip Tie - 5 x 250mm	2
D		Screw - M4 x 40mm	4
E		Screw - M4 x 20mm	4

- **Step 1:** Using a stud finder, find a wall stud to attach the bracket vertically.
- **Step 2:** Once you have found the location, mark and drill a hole through the stud by using a 1/4" drill bit.
- **Step 3:** Attach the bracket to the wall stud using the (Screw - M4 x 40mm) Make sure it aligns to the same width and height as the buffet brackets.
- **Step 4:** Attach the bracket to the buffet horizontally using the (Screw - M4 x 20mm). Make sure it aligns to the same width and height as the wall brackets
- **Step 5:** Once brackets have been installed on both the wall and the buffet. Move the buffet to its final position against the wall.
- **Step 6:** Thread the strap through the wall bracket first and loop it in through the buffet bracket and tighten until snug. Do not overtighten.