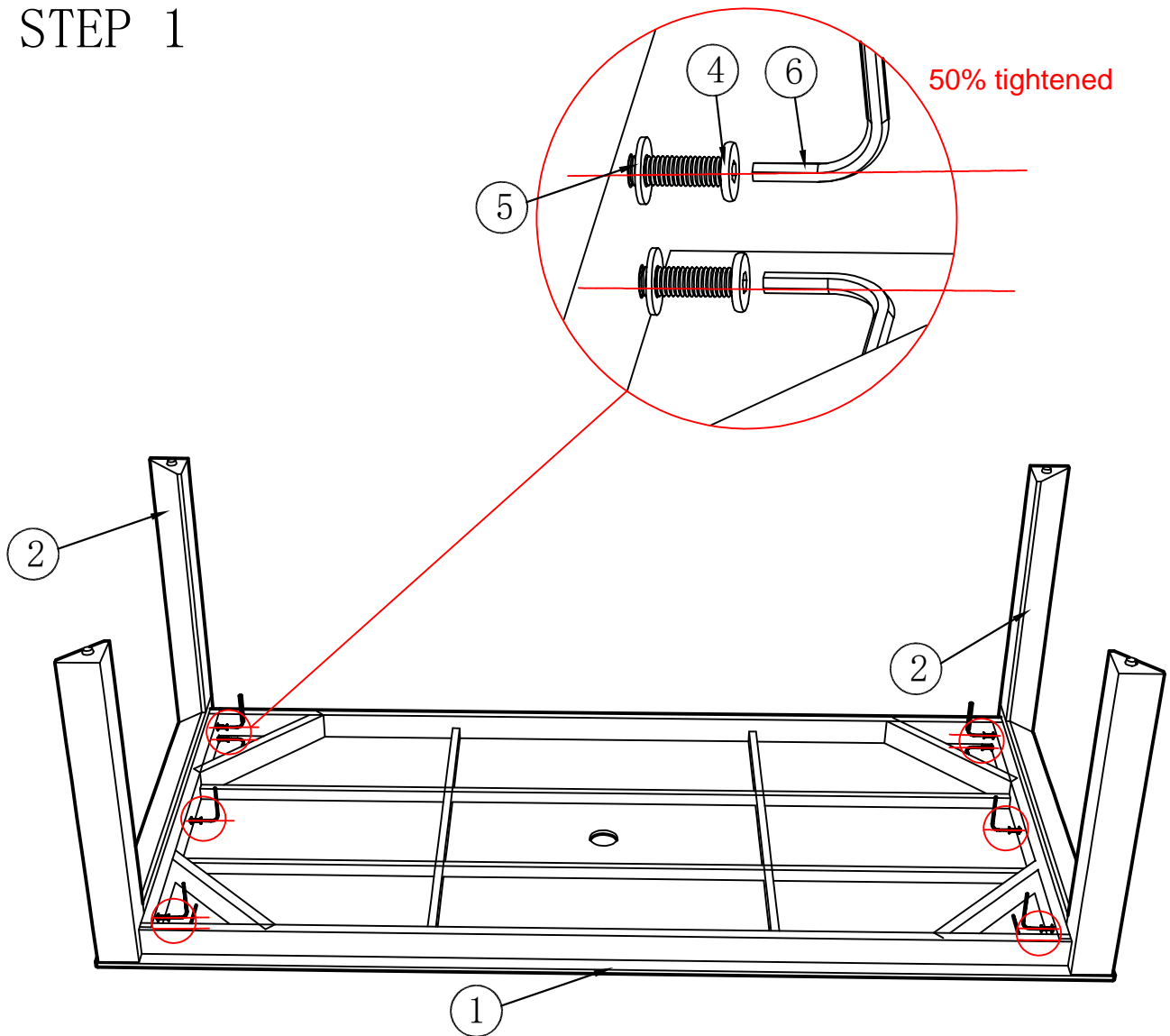


Product Assembly Instructions

DESCRIPTION: BREEZE DINING TABLE

<p>① X1 Top</p>	<p>② X2 Leg</p>	<p>③ X1 Umbrella hole kit</p>
<p>④ X10 M6x40 Screw</p>	<p>⑤ X10 M6 spacer</p>	<p>⑥ X1 Wrench</p>

STEP 1



Check all screws currently at 50% , place the table on a level floor and make necessary adjustment to ensure the table is level and tighten all screws to 100%.

Product Assembly Instructions

DESCRIPTION: BREEZE DINING TABLE

STEP 2

