






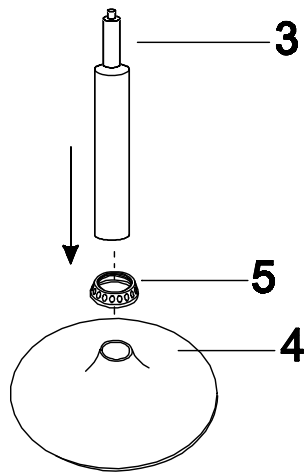
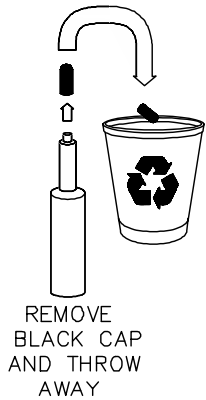


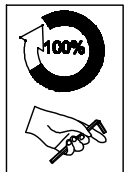
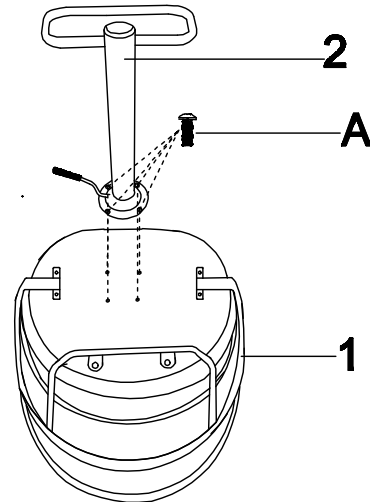
Assembly Instruction

| | | | |
|-----|---|----------|--|
| 1*1 |  | A*4+1EXT |  M6*16MM |
| 2*1 |  | G*1 |  M6 |
| 3*1 |  | | |
| 4*1 |  | | |
| 5*1 |  | | |

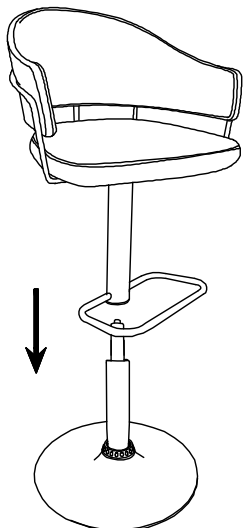
STEP 1



STEP 2



STEP 3



STEP 4

