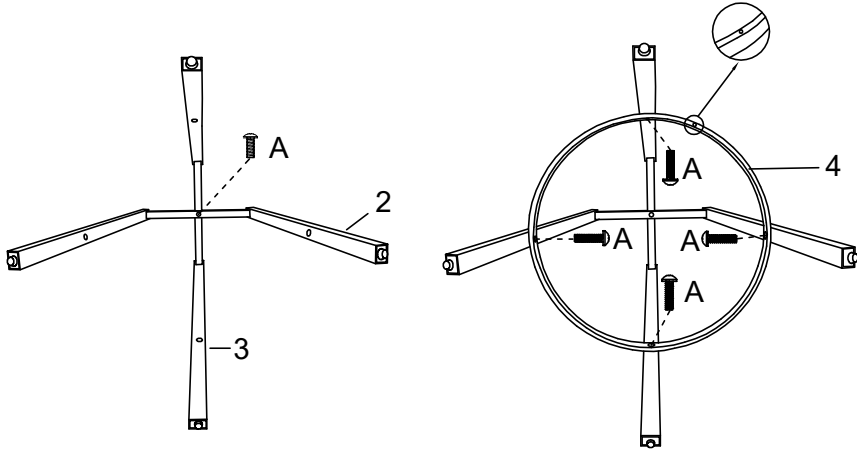



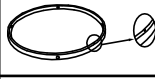








# Product Assembly Instructions

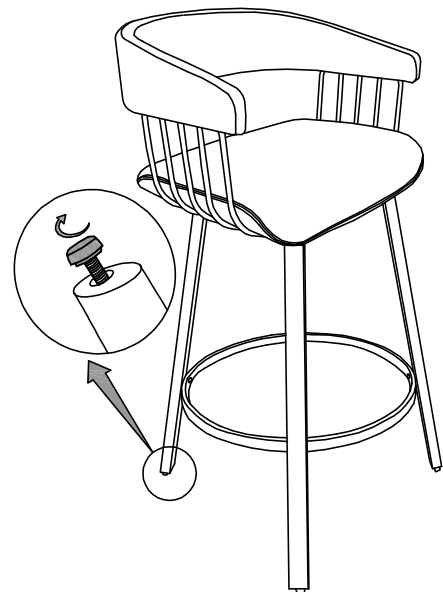
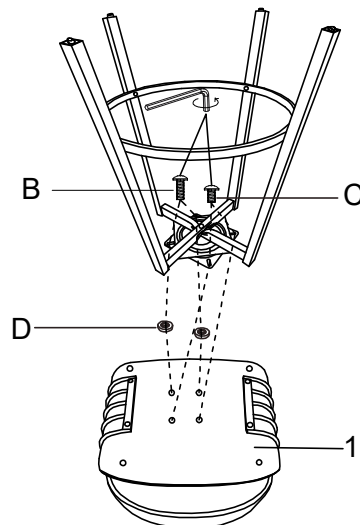
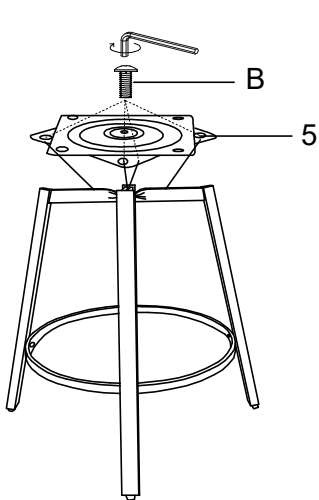
## Item#: 26"/ 30" Athena Swivel Chair

Helpers needed to assemble: 2  
 Estimate time frame to assemble: 20 minutes



#	Picture	Description	Quantity
1		Seat	1
2		Underneath Leg	1
3		Upper Leg	1
4		Footrest	1
5		Swivel Plate	1
A		Bolts(M6x30)	5+1EXT
B		Bolts(M6x20)	6+1EXT
C		Bolts(M6x16)	2+1EXT
D		Washer	2
G		Allen Key	1

- \* **Step 1:** Turn the barstool legs upside down onto the floor and cross them together as shown. Use 1pc bolt (A M6x30) to loosely tighten them.
- \* **Step 2:** Use 4pcs bolt (A M6x30) to tighten the Footrest (4) with Leg Frame. Repeat until all 4 sides are bolted.
- \* **Step 3:** Turn the barstool legs over and use 4pcs bolt (B M6x20) to tighten the Swivel Plate (5) with Allen Key. Make sure the plate aligns with the bolt holes on barstool legs base.
- \* **Step 4:** Once the swivel is secure, we will add the seat under the barstool to connect the seat to the legs. Place 2pcs Washers (D) in the front of the seat. Use 2pcs bolts (B M6x20) and 2pcs bolt (C M6x16) to tighten the swivel plate and seat. Make sure the plate aligns with the washers and bolt holes on the seat.



- \* **Step 5:** Flip the barstool over upright as seen. Please adjust the foot nails if legs are uneven.
- \* **Step 6:** Test the barstool is firmly on the ground and the seat does not wiggle.
- \* **Step 7:** Sit and enjoy your new barstool.

\* Keep the Allen Key and Tighten all screws each 3 months for safety concern!