

## Item#: AMANDA CONSOLE TABLE

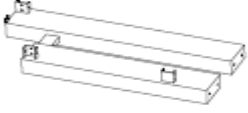

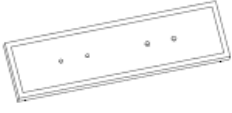
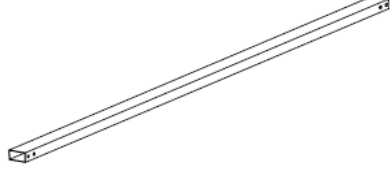
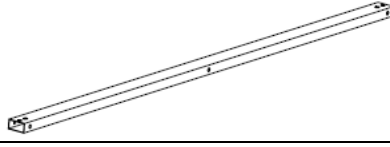


**Helpers needed to assemble: 2**

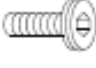
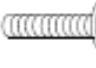




**Estimated time frame to assemble: 20 minutes**

Thank you for purchasing this quality product. Be sure to check all packing material carefully for small parts, which may come loose inside the carton during shipment. Please identify and count all parts and compare with the HARDWARE LIST below.

**Caution:** Please read instructions carefully before unpacking assembly parts. Sharp, exposed staples can cause injury, therefore, for your protection, please remove any exposed staples used in packing.

\* Retain the Allen key for regular maintenance. We recommend tightening all screws every three months to ensure continued stability and performance. \*

#	Picture	Description	Qty
A		Left Leg Frame	1
B		Right Leg Frame	1
C		Table base	2
D		Stretcher	1
E		Upper Support Bar	2
F		Upper Main Table Top	1
G		Small Table Top	1

#	Picture	Description	Qty
1		Ø1/4" x 16mm Bolts	14
2		Ø1/4" x 38 mm Bolts	8
3		Ø1/4" x 63 mm Bolts	8
4		Ø19/ Ø7 mm Flat washer	22
5		Ø1/4" Spring Washer	22
6		Allen key	1

Before beginning assembly, place all parts on a smooth, flat surface.

### **Step 1: Attach Table Bases to Leg Frames**

- Align **1 table base (C)** with the **left leg frame (A)**.
- Secure using **4 bolts Ø1/4" × 38 mm (2)**.
- Tighten with the provided **Allen key (6)**.
- Repeat for the **right leg frame (B)**.

### **Step 2: Install the Stretcher**

- Align the **stretcher (D)** with the **second U-shaped bracket** on the short leg of the **left leg frame (A)**.
- Secure using **2 bolts Ø1/4" × 16 mm (1)**, **spring washers (5)**, and **flat washers (4)**.
- Make sure holes are aligned before fully tightening.

### **Step 3: Install Upper Support Bars**

- Align **2 upper support bars (E)** with the **first U-shaped bracket** on the short and short leg of the **left leg frame (A)**.
- Secure using **4 bolts Ø1/4" × 16 mm (1)**, **spring washers (5)**, and **flat washers (4)**.
- Tighten securely once aligned

### **Step 4: Connect to Right Leg Frame**

- Position the **right leg frame (B)** onto the **stretcher (D)** and **upper support bars (E)**.
- Secure using **6 bolts Ø1/4" × 16 mm (1)**, **spring washers (5)**, and **flat washers (4)**.
- Tighten all bolts securely.

### **Step 5: Install Lower Small Table Top**

- Place the **lower small table top (G)** onto the lower frame.
- Align holes with the **leg frames (A & B)** and **upper support bars (E)**.
- Secure using **5 bolts Ø1/4" × 63 mm (3)**, **spring washers (5)**, and **flat washers (4)**.
- Tighten securely.

### **Step 6: Install Upper Main Table Top**

- Place the **upper main table top (F)** onto the upper frame.
- Align holes with the **leg frames (A & B)** and **upper support bars (E)**.
- Secure using **2 bolts Ø1/4" × 16 mm (1)**, **spring washers (5)** and **flat washers (4)**.
- Tighten securely.

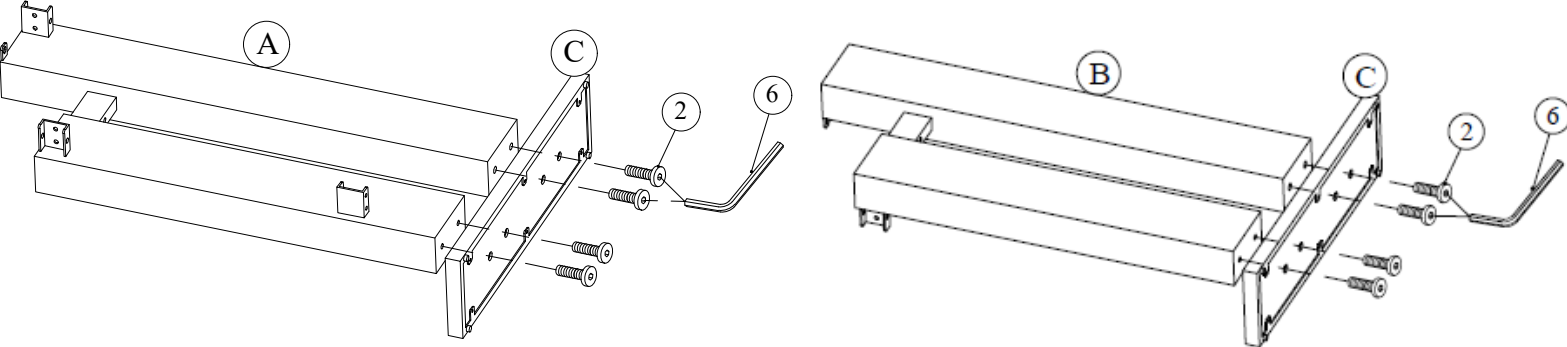
### **Step 7: Final Attachment & Leveling**

- Secure the **upper main table top (F)** to the **upper support bars (E)** using **3 bolts Ø1/4" × 63mm (3)**, **spring washers (5)** and **flat washers (4)**.
- Fully tighten all bolts.

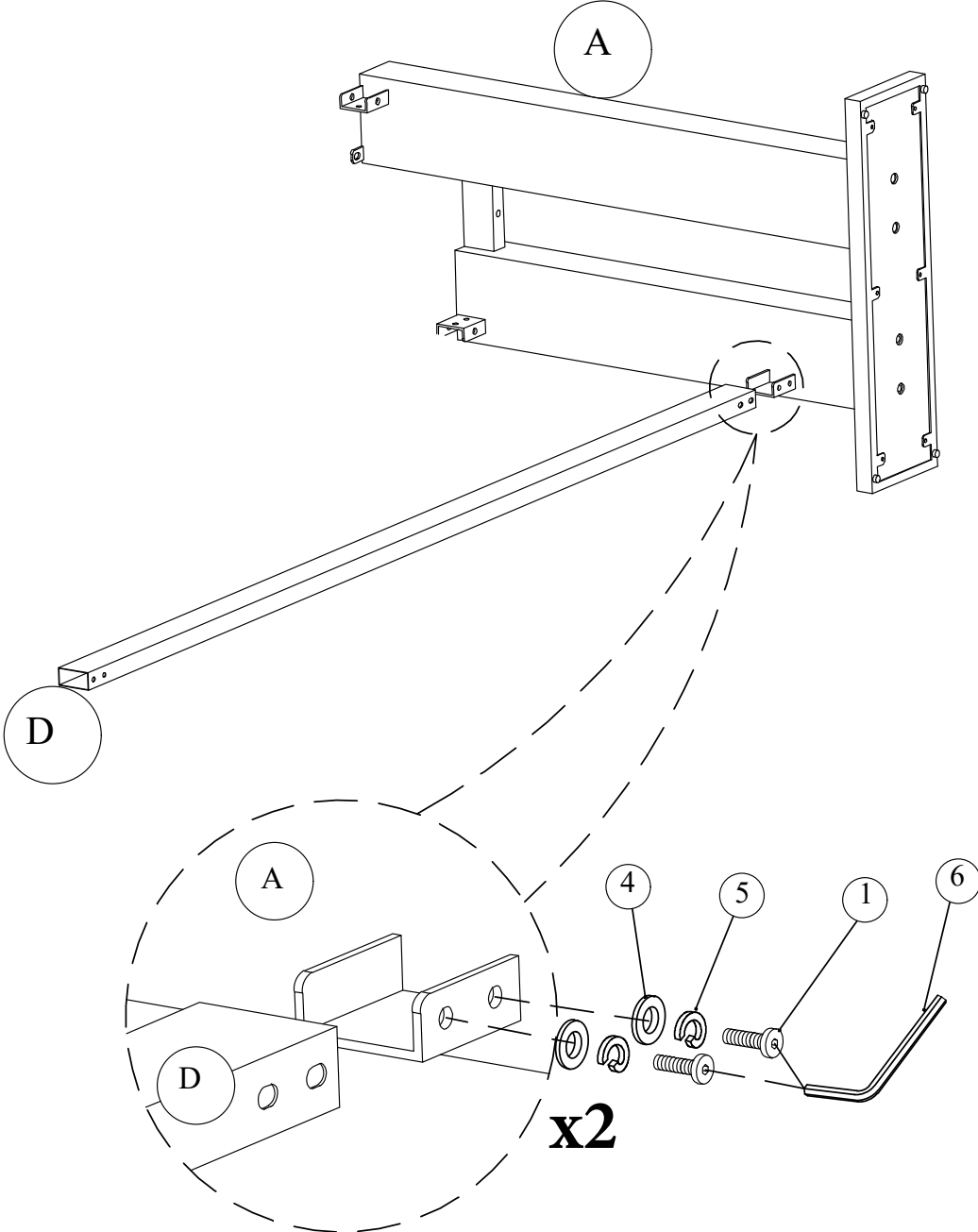
### **Assembly Complete!**

Enjoy your new **Amanda Console Table**.

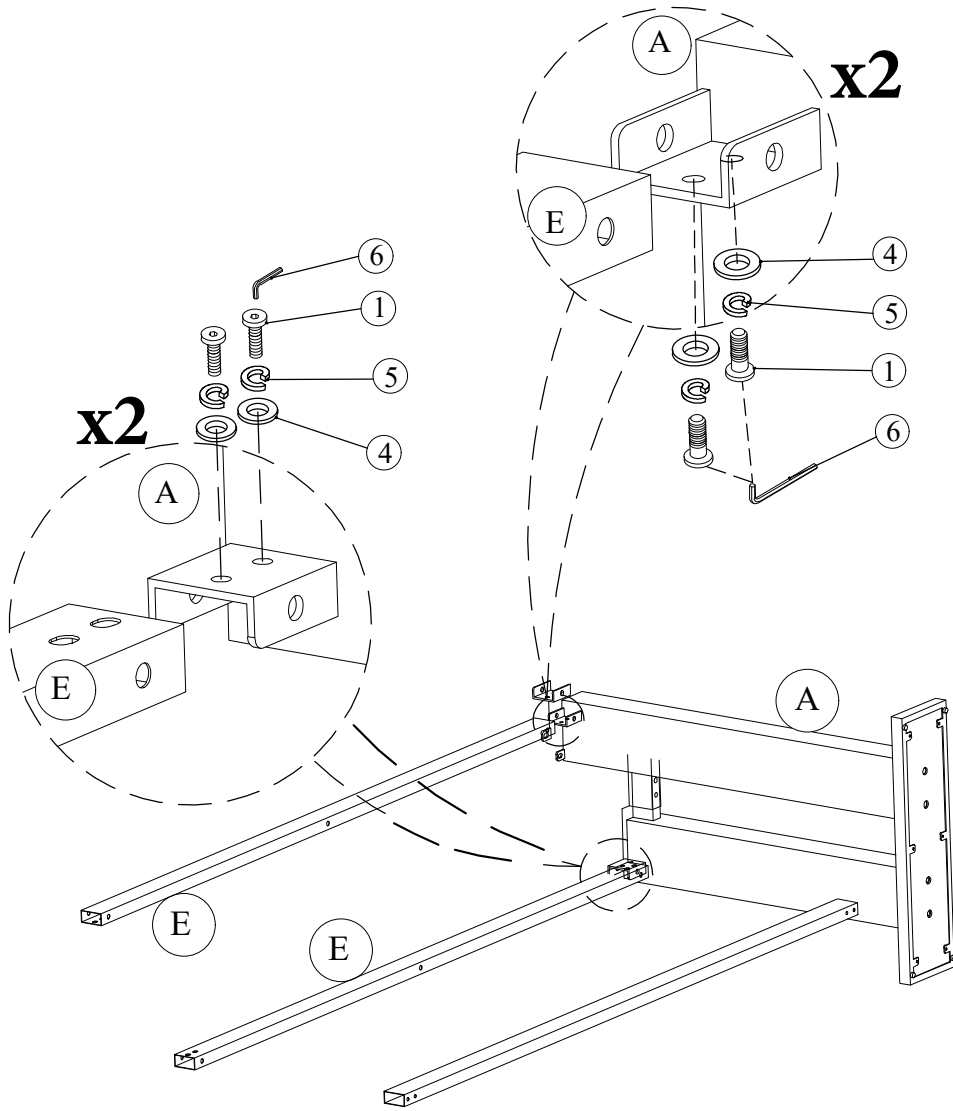
**STEP 1**



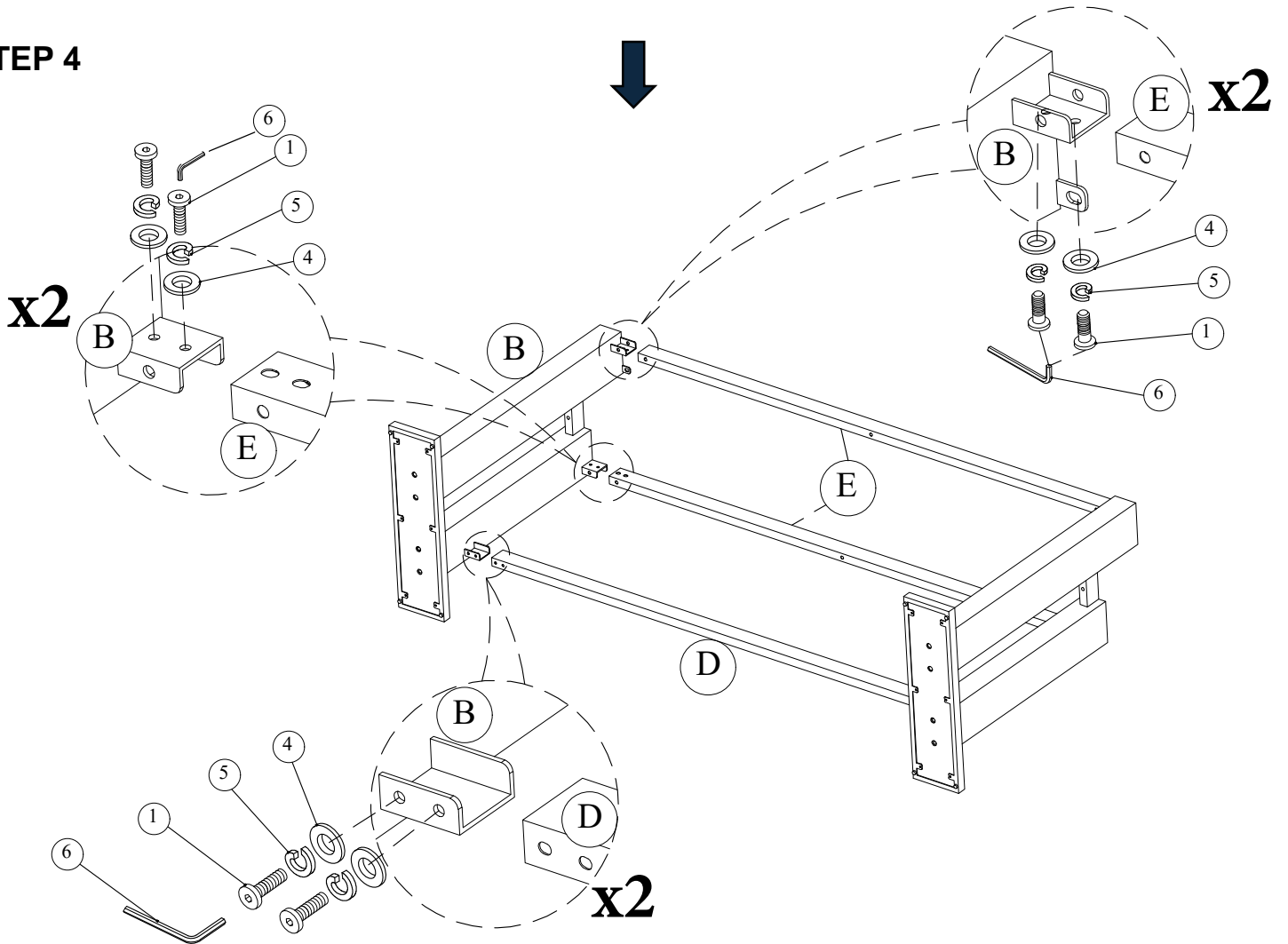
**STEP 2**



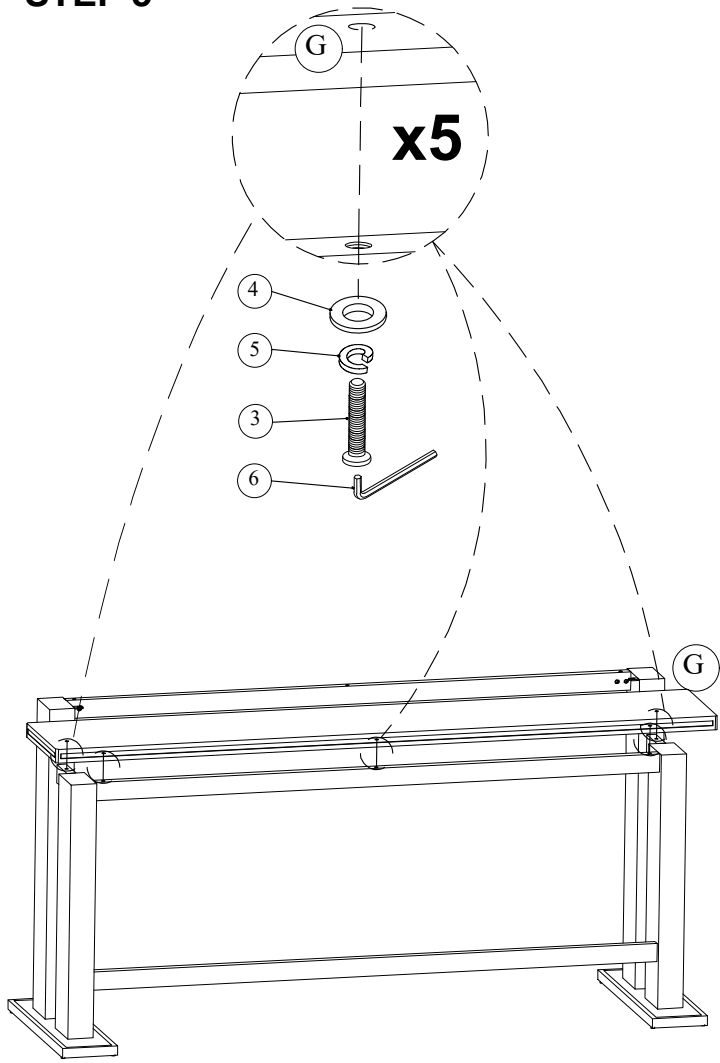
### STEP 3



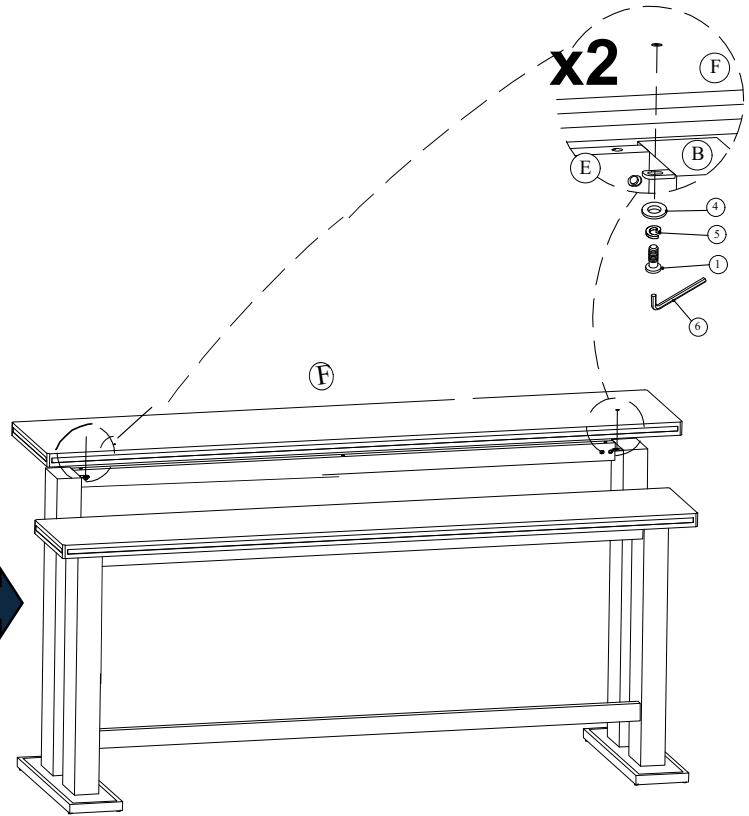
### STEP 4



**STEP 5**



**STEP 6**



**STEP 7**

