

Product Assembly Instructions

Item#: AMANDA BARSTOOL

Helpers needed to assemble: 2

Estimated time frame to assemble: 10 minutes

Thank you for purchasing this quality product. Be sure to check all packing material carefully for small parts, which may come loose inside the carton during shipment. Please identify and count all parts and compare with the **HARDWARE LIST** below.

Caution: Please read instructions carefully before unpacking assembly parts. Sharp, exposed staples can cause injury, therefore, for your protection, please remove any exposed staples used in packing.

*** Retain the Allen key for regular maintenance. We recommend tightening all screws every three months to ensure continued stability and performance. ***

Before beginning assembly, place all parts on a smooth, flat surface.

Step 1 :

- Begin by assembling the **backrest (B)** to the **leg frame (A)** using **2 pcs Ø1/4" × 10 mm bolts (1)** on each side with the provided **Allen key (5)**.
- Tighten all bolts securely.









Step 2:

- Attach the **seat (C)** to the leg frame using **2 pcs Ø1/4" × 25 mm bolts (2)** and **2 pcs flat washers (4)** on the back rail, as shown in the diagram.
- Next, attach **2 pcs Ø1/4" × 32 mm bolts (3)** to the front rail.

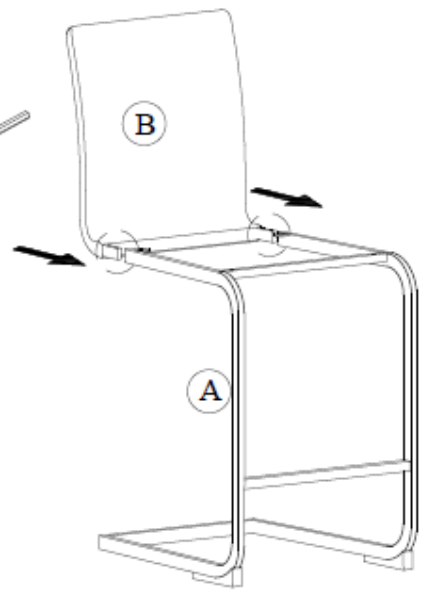
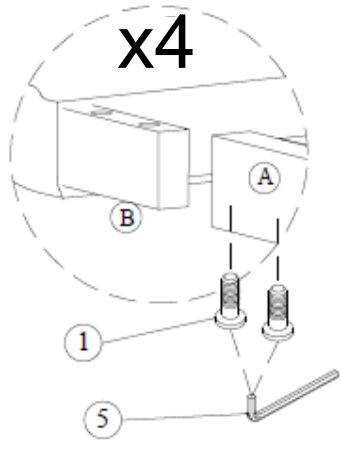
Repeat on the other side and secured tighten all bolts.

Assembly Complete!

Enjoy your new **Amanda Barstool**.

#	Picture	Description	Q'TY.
A		Leg Frame	1
B		Backrest	1
C		Seat	1
1		Ø1/4" x 10 mm Bolt	4
2		Ø1/4" x 25 mm Bolt	2
3		Ø1/4" x 32 mm Bolt	2
4		Ø19/ Ø7 mm Flat washer	2
5		Allen key	1

STEP 1



STEP 2

