

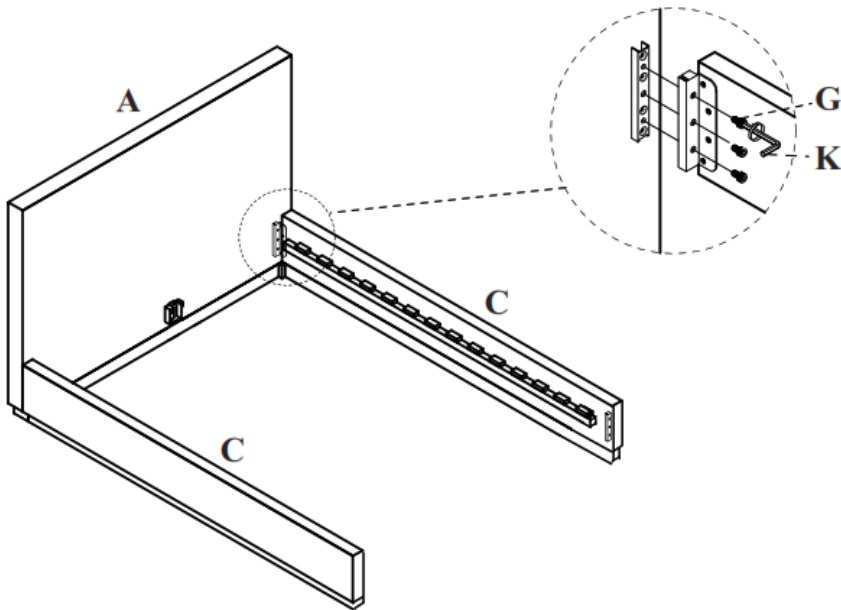
PRODUCT ASSEMBLY INSTRUCTIONS





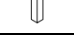

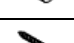




Item#: ABBEY QUEEN BEDFRAME

Helpers needed to assemble: 2

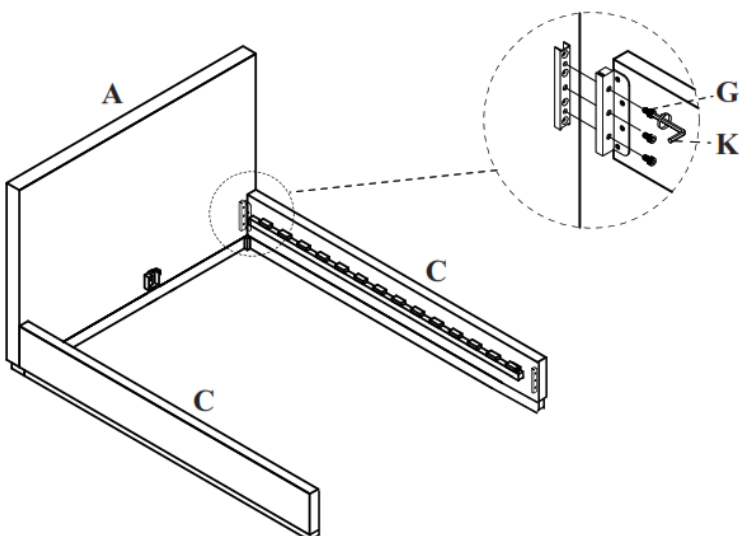
Estimate time frame to assemble: 1 Hour

Tools Needed not Included: **Phillips Screwdriver**

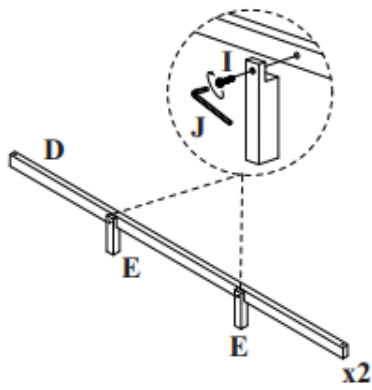


#	Picture	Description	Quantity
A		Headboard	1
B		Footboard	1
C		Siderail	2
D		Middle Rail	2
E		Leg	4
F		Slat Frame	15
G		Bolt – M6 x 10mm	12
H		Screw – M4 x 30mm	32
I		Bolt – M3 x 30mm	2
J		Allen Key – M4	1
K		Allen Key – M5	1

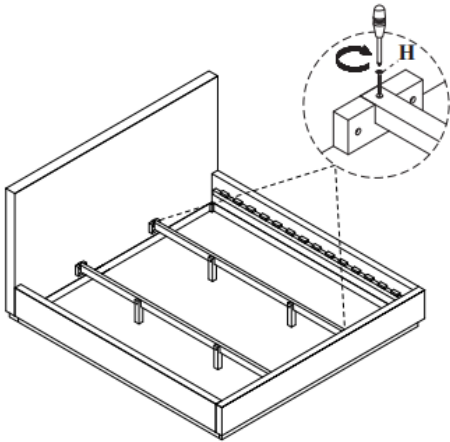
- **Step 1:** Make sure it's on a safe surface where the bedframe cannot be scratched and or damaged and close enough to the location
- **Step 2:** Locate the headboard and the two side rails, as these will be the first to be attached.
- **Step 3:** Using the Allen Key M-5 you will screw in the headboard and the side rails using (3 Bolt – M6 x 10mm) for each side rail. First place the bolt on the interior of the frame using the Allen Key following by screwing in the bolt.
 - Repeat for each sideboard and make sure it's firmly attached to the headboard.



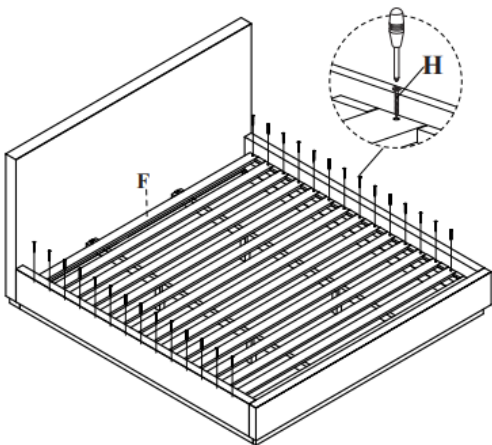
- **Step 4:** Locate the footboard as this will be assembled onto the preassembled head board and rails.
- **Step 5:** Using the Allen Key you will screw in the footboard and the side rails using ((3 Bolt – M6 x 10mm). First place the bolt on the interior of the frame using the Allen Key screw in the bolts until firmly attached.
 - Repeat for each sideboard and make sure it's firmly attached to the footboard.



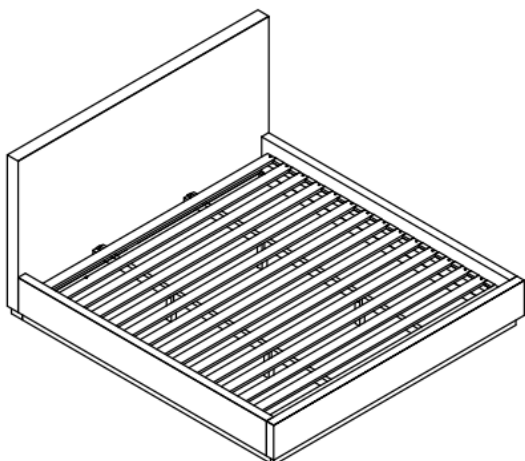
- **Step 6:** Proceed to locate the two middle rails and the four legs.
- **Step 7:** Proceed to attach the 2 legs to each middle rail using the Allen Key M4 and (2 Bolt – M3 x 30mm).
 - i. Repeat for each middle rail and make sure it's firmly attached to the legs.



- **Step 8:** Proceed to attach now the preassembled middle rails to the bedframe connecting both the headboard and the footboard to each end of the middle rail as seen.
- **Step 9:** Using the screwdriver and (1 Screw – M4 x 30mm).
 - i. Repeat for each middle rail connection to the headboard and footboard and make sure it's firmly attached to both.



- **Step 10:** Now that your bedframe is firmly on the floor, we can proceed to install the slats to your new bedframe.
- **Step 11:** Using the screwdriver and (1 Screw – M4 x 30mm).
 - i. Repeat for each slat connection to the side rails make sure it's firmly attached to both side rails.



- **Step 12:** Test that the bedframe is firmly on the ground and the bedframe does not wiggle.
- **Step 11:** Enjoy your new bedframe.