
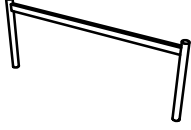






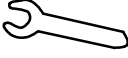
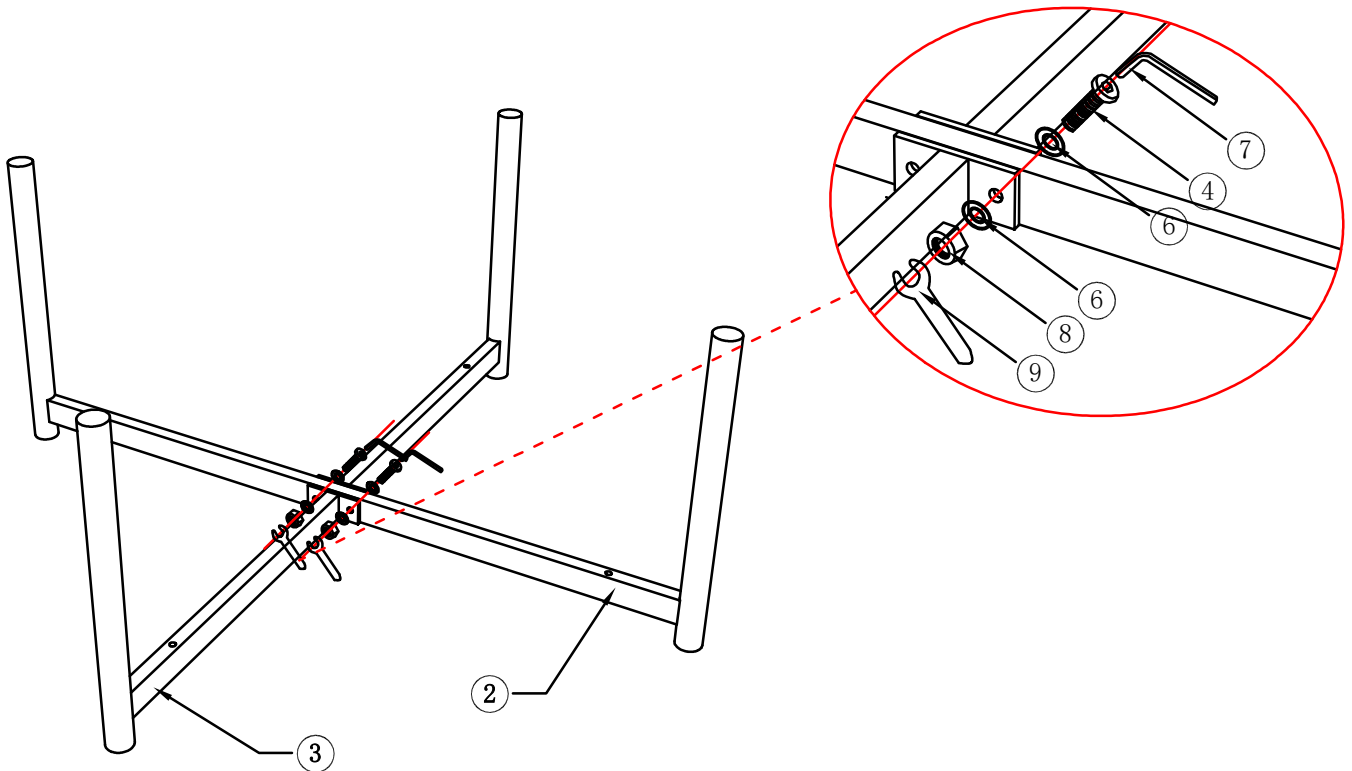


# Product Assembly Instructions

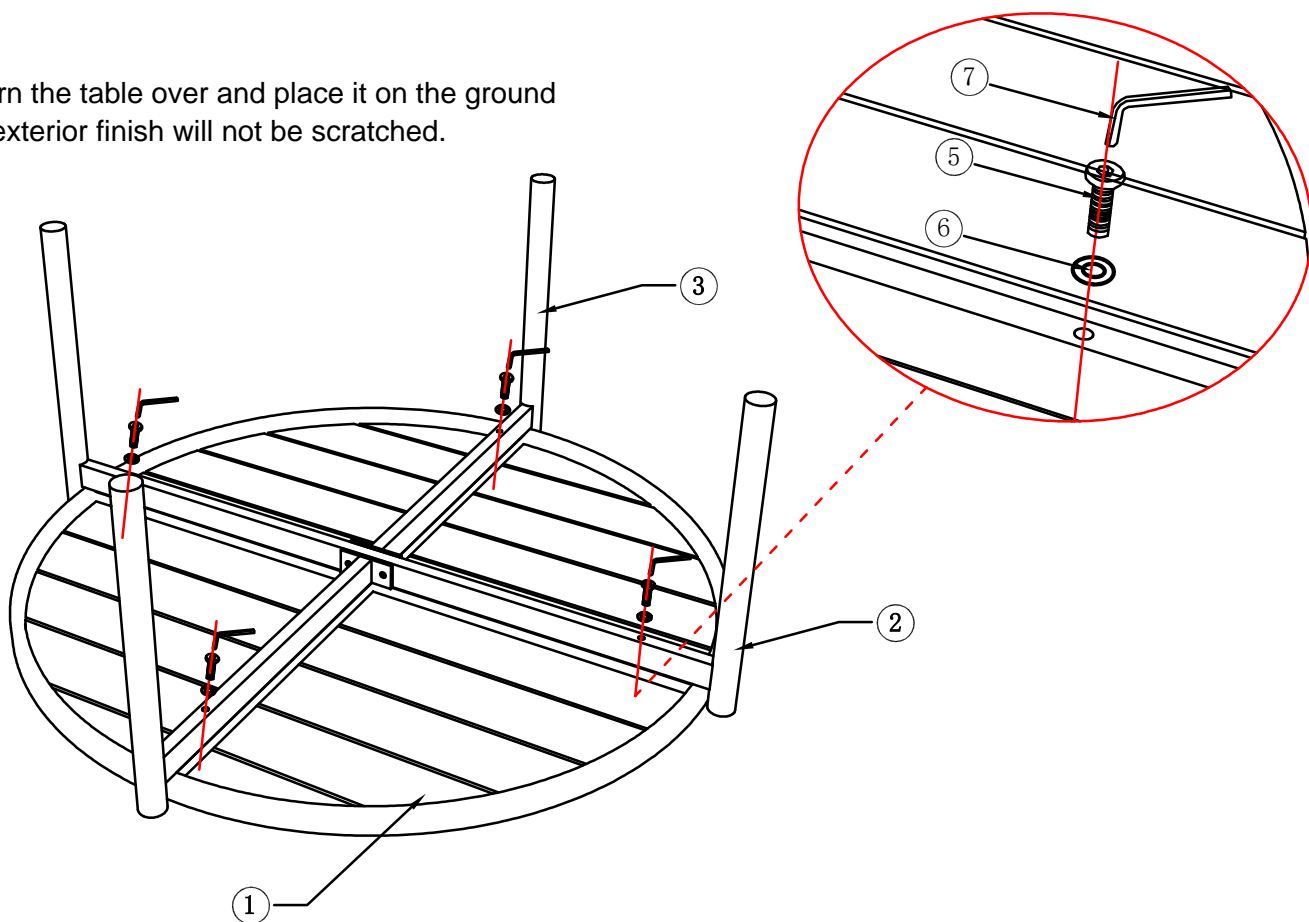
 <p>① X1 Table Top</p>	 <p>② X1 Table Leg</p>	 <p>③ X2 Table Leg</p>
 <p>④ X2 M6x40</p>	 <p>⑤ X4 M6x55</p>	 <p>⑥ X8 M6 spacer</p>
 <p>⑦ X1 Wrench</p>	 <p>⑧ X2 Screw Cap</p>	 <p>⑨ X1 Wrench</p>



Step 1 : Align the screw holes of the table leg(2) with the screw holes of the table leg(3), insert flat washers(4) and screws(6) into each hole,once the screws are in place, tighten the screw until firmly attached with the wrench(7) provided.

Step 2 : Put screw cap(8) on the screw and tighten the screw cap with the wrench(9) provided.

Step 3 : Turn the table over and place it on the ground where the exterior finish will not be scratched.



Step 4 : Align the screw holes of the table legs with the screw holes of the table top, insert flat washers(6) and screws(5) into each hole, once the screws are in place,tighten the screw until firmly attached with the wrench provided.

Step 5 : Flip the table over upright as seen.

Step 6 : Enjoy your new table.

