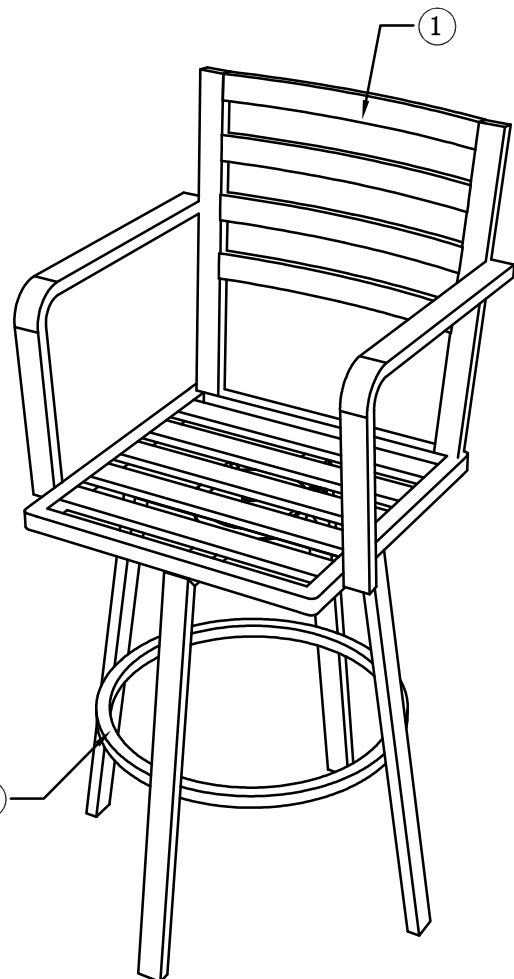
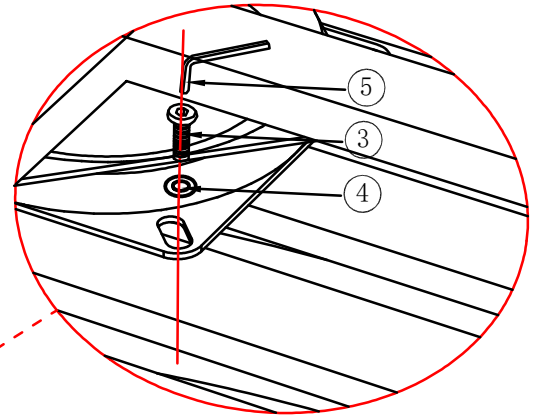
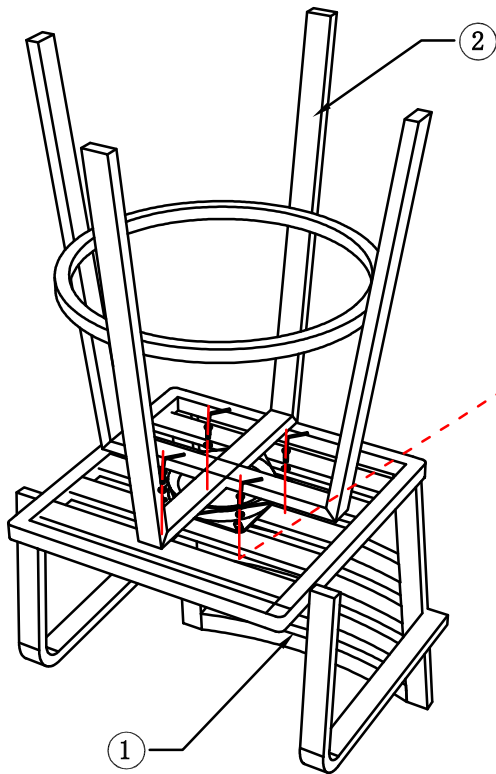
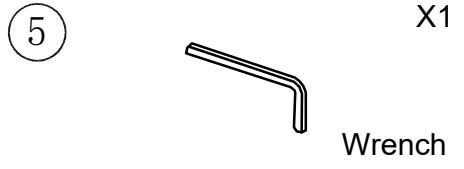
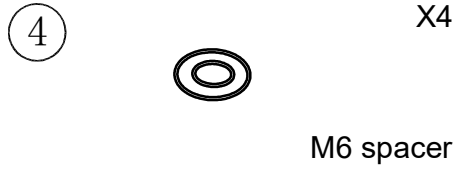
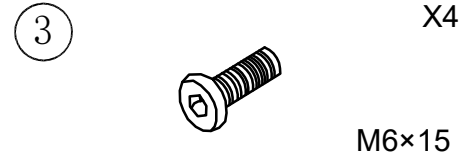
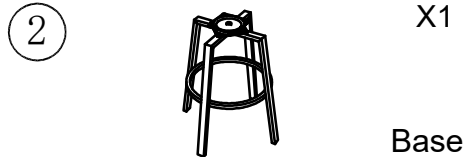


# Product Assembly Instructions



Step 1 : Turn the table over and place it on the ground where the exterior finish will not be scratched.

Step 2 : Align the screw holes of the base with the screw holes of the seat, insert flat washers(4) and screws(3) into each hole, once the screws are in place, tighten the screw until firmly attached with the wrench provided.

Step 3 : Flip the chair over upright as seen.

Step 4: Enjoy your new table.