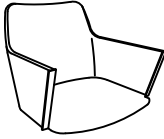

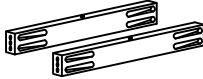








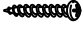
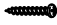

Product Assembly Instructions

LCRESIBLGR / LCRESIWABLU/ LCRESIWAOR/LCRESIWACH

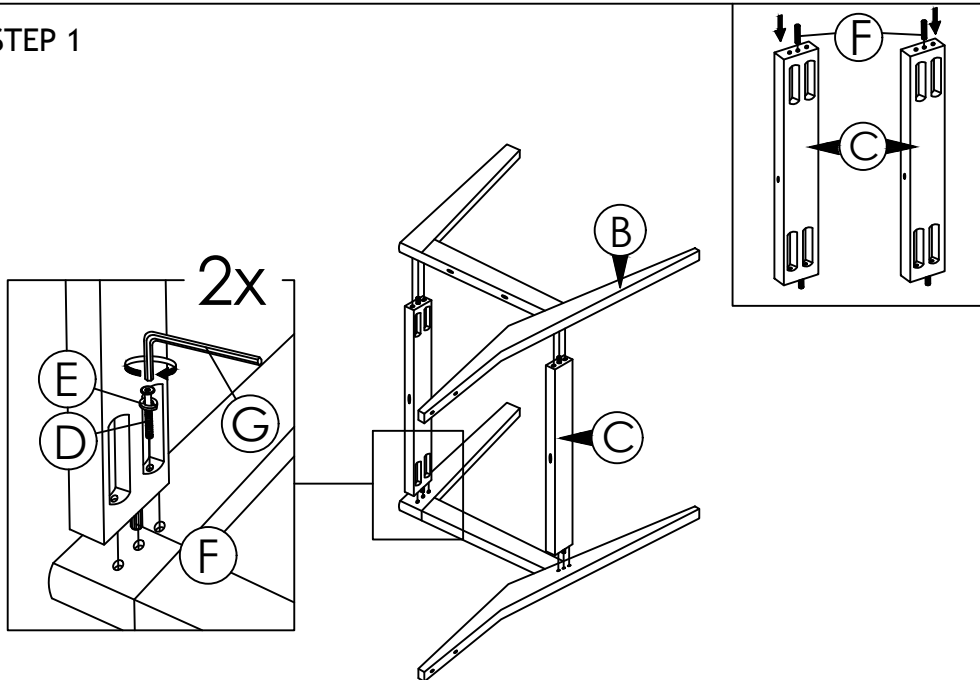
PART LIST

 A : CUSHION SEAT x1	 B : CHAIR LEG (L & R) x2	 C : RAIL (F & B) x2
--	---	---

HARDWARE LIST

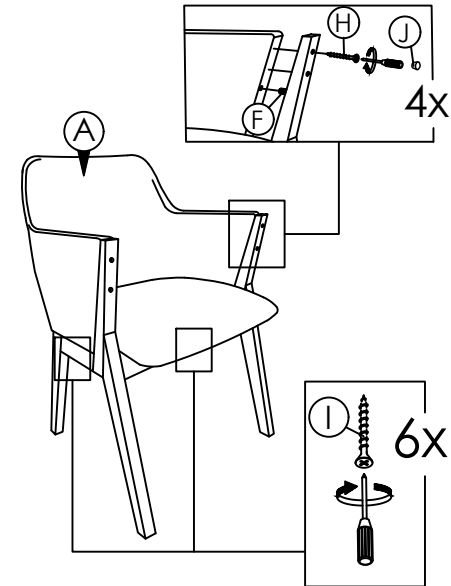
 D : JCBC SCREW M6 x 45MM x8	 E : SPRING WASHER 1/4" x8	 F : WOOD DOWEL DIA 8 x 35MM x6
 G : ALLEN KEY M4 (BALL SHAPE) x1	 H : PAN HEAD WOOD SCREW M5 X 32MM x4	 I : PAN HEAD WOOD SCREW M4 x 38MM x6
 J : WOOD BUTTON 10.5MM x4		

STEP 1

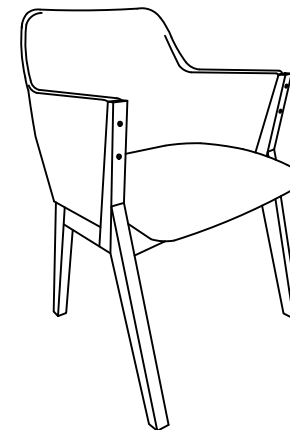


STEP 2

Remark :
Align front leg to center before fix screw

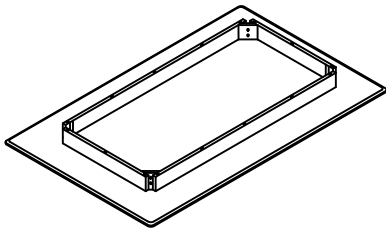


STEP 3

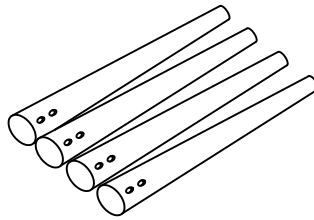


ASSEMBLY COMPLETED

PART LIST



A : TABLE TOP x1



B : TABLE LEG x4

HARDWARE LIST



C : JCB SCREW M8 x 70mm x8



D : SPRING WASHER 5/16" x8

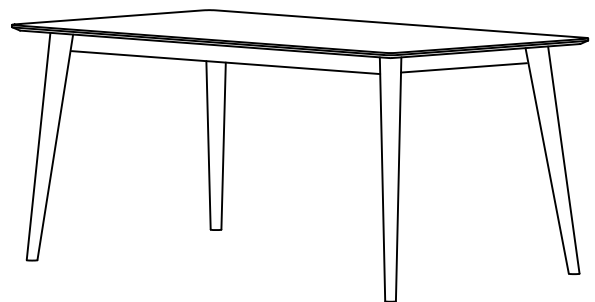
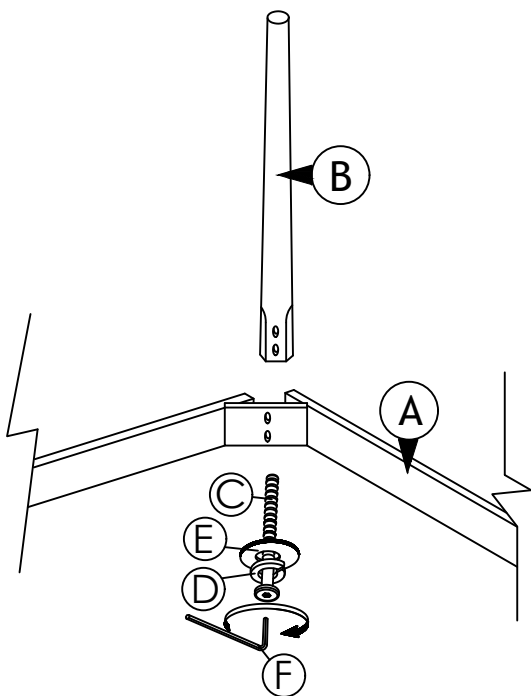


E : FLAT WASHER 5/16" x8



F : ALLEN KEY M5 x1

STEP 1



ASSEMBLY COMPLETED