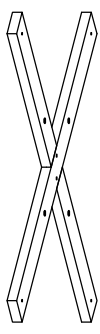
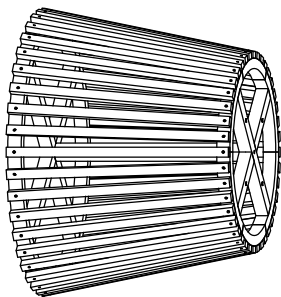
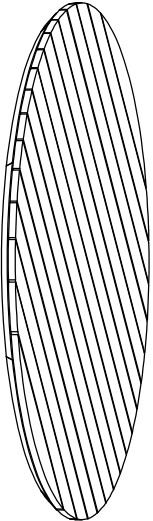


ESCONDIDO ROUND DINING TABLE LCESDIEUCBX1/ LCESDIEUCBX2



C: Cross Bar x1



D: Bolt M6x35 x8

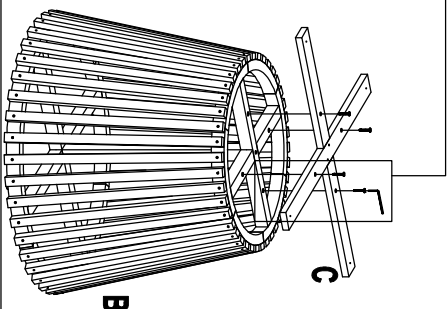
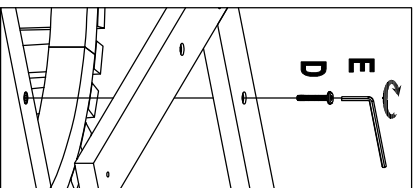


E: Allen key x1

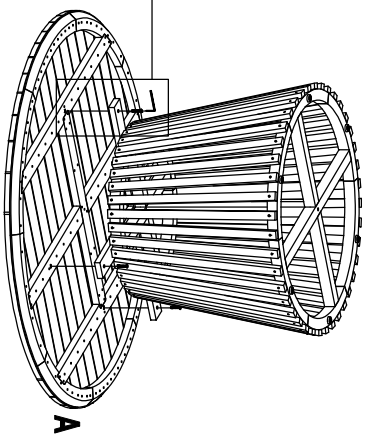
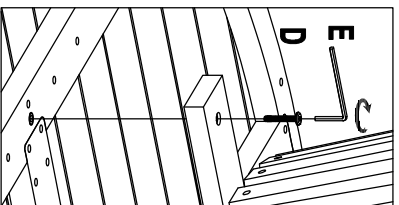
A: Top x1

B: Leg x1

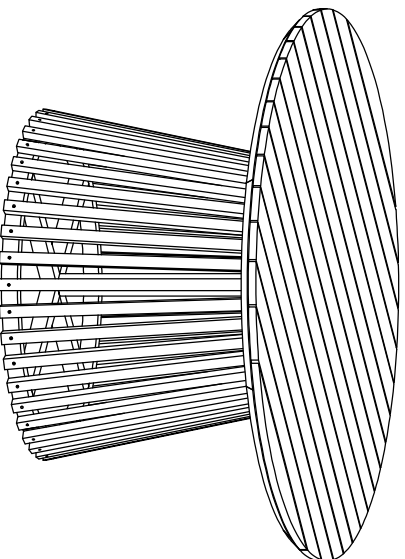
STEP 1



STEP 2



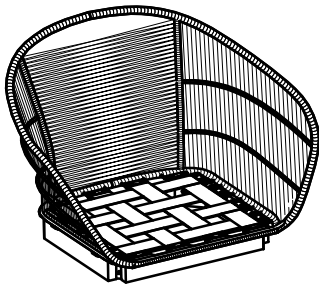
STEP 3



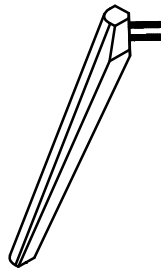
TUTTI FRUTTI DINING CHAIR

LCTFSITRU / LCTFSIGRY

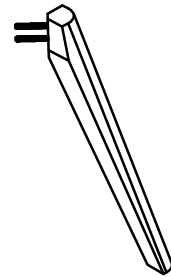
FURNITURE FOR CONTEMPORARY LIFESTYLES



A: Seat x1



B: Leg x2



C: Leg x2



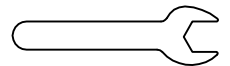
D: Nut x8



E: Spring washer x8

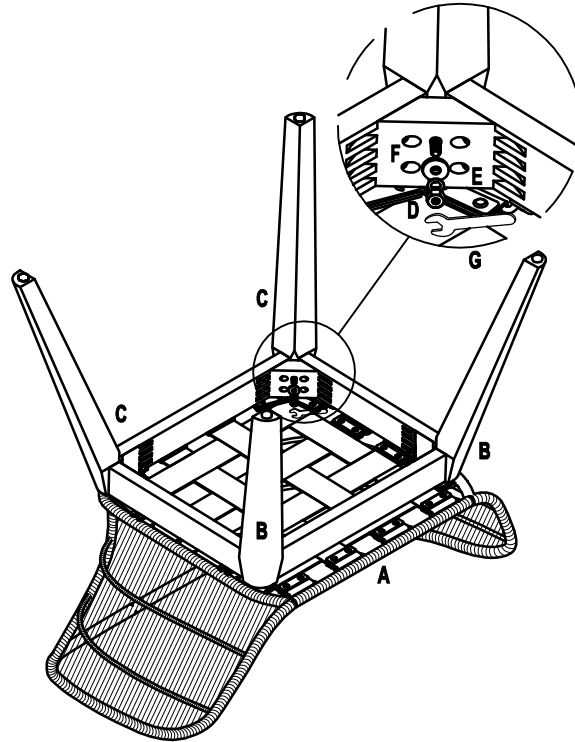


F: Washer x8



G: Spanner x1

STEP 1



STEP 2

