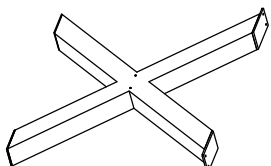
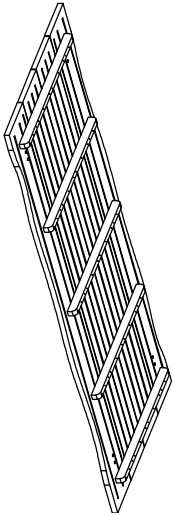
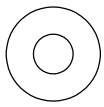


# GLENDORA DINING TABLE 94"

## LCGLDIEUC



D: Bolt M6x25 x12

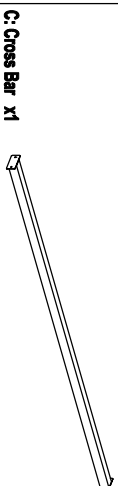


E: Washer x12



F: Allen key x1

B: Leg x2

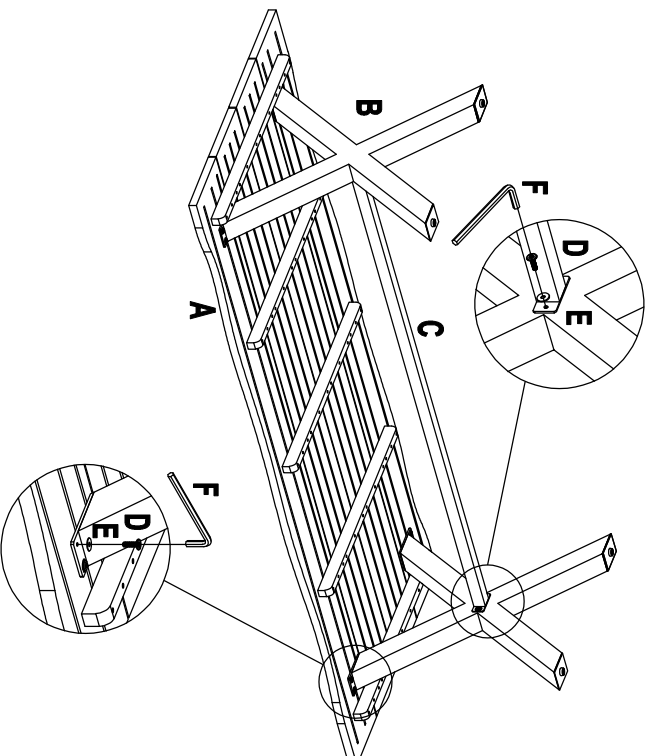


C: Cross Bar x1

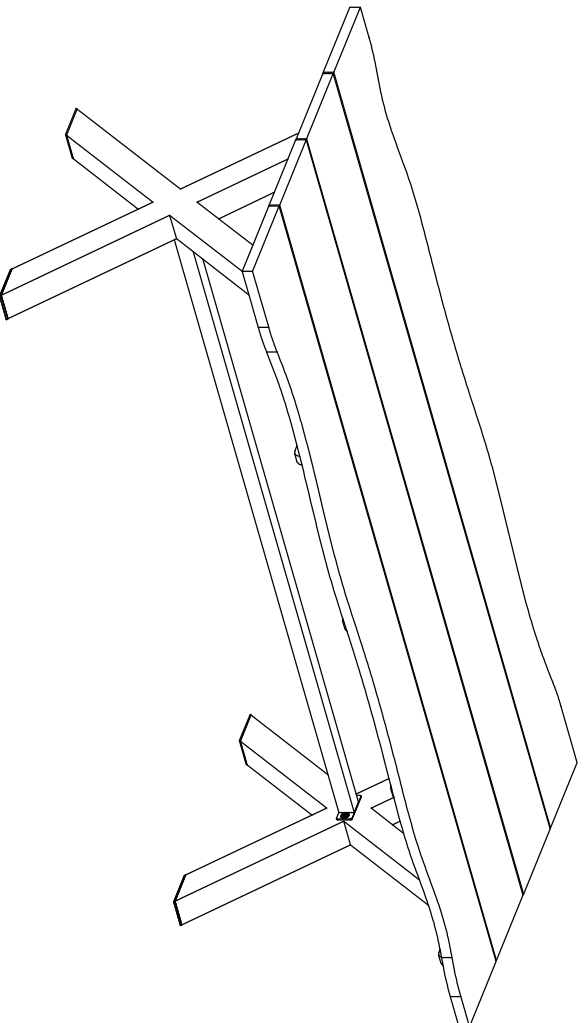


A: Top x1

### STEP 1

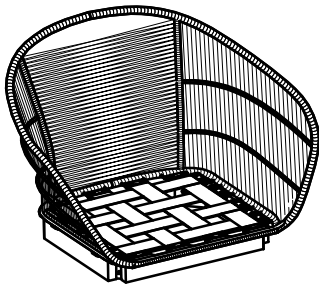


### STEP 2

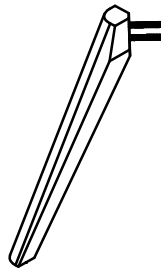


# TUTTI FRUTTI DINING CHAIR LCTFSITRU / LCTFSIGRY

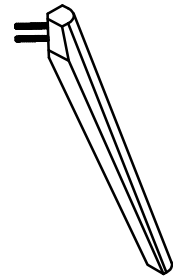
FURNITURE FOR CONTEMPORARY LIFESTYLES



A: Seat x1



B: Leg x2



C: Leg x2



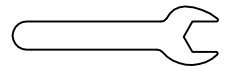
D: Nut x8



E: Spring washer x8

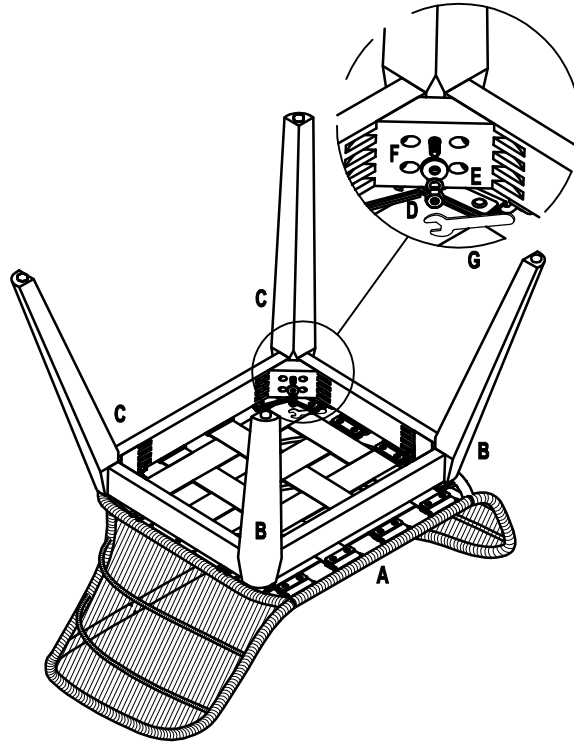


F: Washer x8



G: Spanner x1

## STEP 1



## STEP 2

